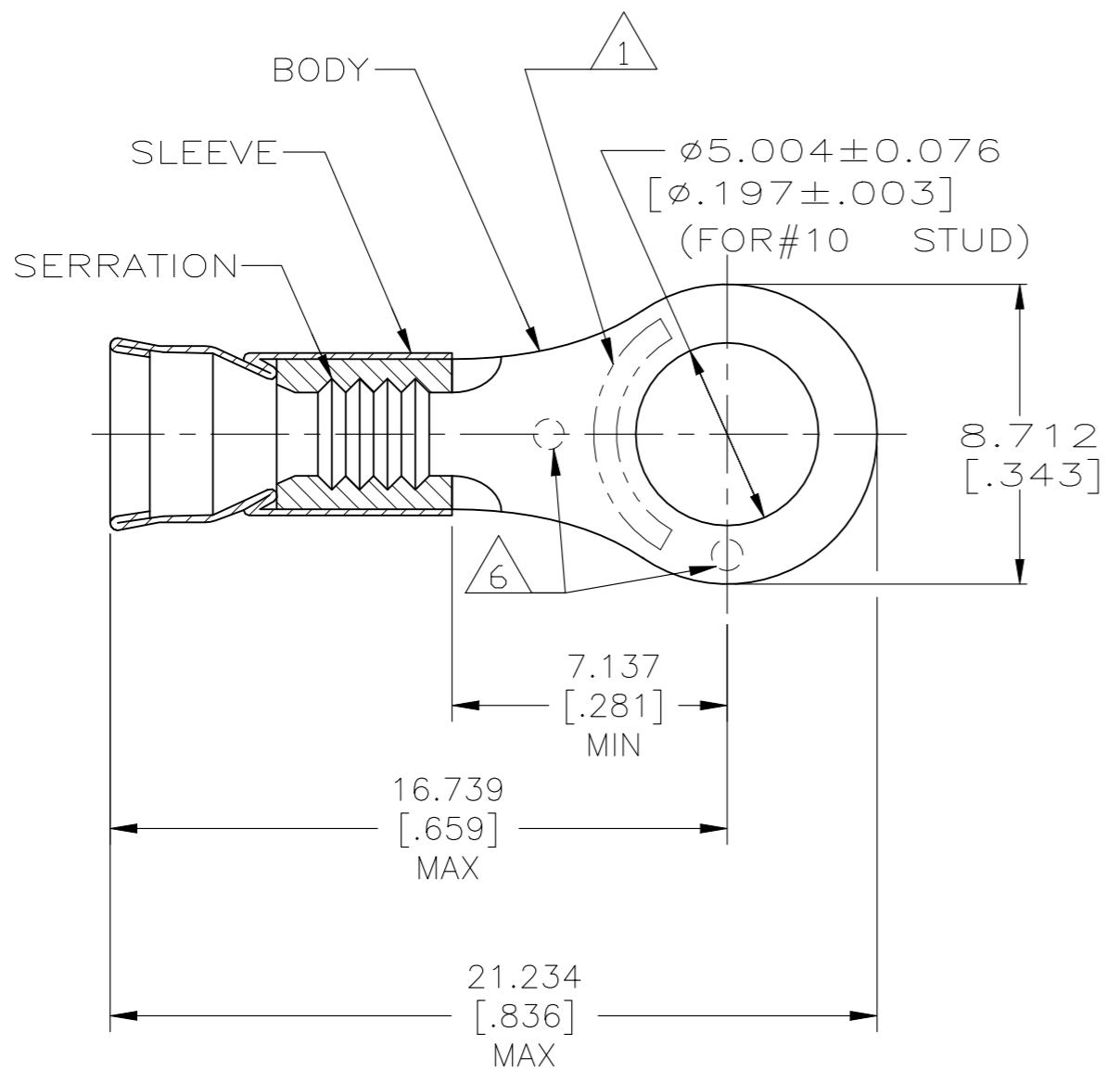


© - TE Connectivity. All Rights Reserved.

REVISIONS				
P	LTR	DESCRIPTION	DATE	APVD
	H	REVISED PER ECR-23-181664	07AUG2023	AP DSC



- 1 STAMP AMP 16-14\* APPROX AS SHOWN
- 2. WIRE INSULATION DIAMETER:  
 $\phi 2.032 [.080]$  TO  $\phi 3.302 [.130]$
- 3. BODY MATERIAL THK:  $0.787 \pm 0.051 [.031 \pm .002]$
- 4 MATERIAL:  
BODY - COPPER PER ASTM B152  
SLEEVE - NICKEL SILVER PER ASTM B122
- 5 FINISH:  
BODY - NICKEL PLATE  $0.00762 [.000300]$   
MIN EXT THK PER SAE AMS-QQ-N-290
- 6 DIMPLE STAMP MARK OPTIONAL

1000	LOOSE PIECE	323161
QTY	PACKAGE TYPE	PART NO

AMP INCORPORATED CUSTOMER SERVICE SYSTEMS	
FOR ADDITIONAL PRODUCT INFORMATION OR COPIES OF DRAWINGS AND TECHNICAL DOCUMENTS	PRODUCT INFORMATION CENTER 1-800-522-6752
FOR APPLICATION TOOLING INFORMATION	TOOLING ASSISTANCE CENTER 1-800-722-1111
FOR ORDER ENTRY	1-800-526-5142

MAX RECOMMENDED OPERATING TEMPERATURE: 343°C [650°F]
VOLTAGE RATING: -
CIRCULAR MIL AREA: 1.04mm <sup>2</sup> -2.62mm <sup>2</sup> [2050-5180] STRANDED WIRE

THIS DRAWING IS A CONTROLLED DOCUMENT.	
DIMENSIONS: mm [INCHES]	TOLERANCES UNLESS OTHERWISE SPECIFIED:
	0 PLC ± - 1 PLC ± - 2 PLC ± - 3 PLC ± 0.127[.005] 4 PLC ± - ANGLES ± -
MATERIAL 4	FINISH 5

DWN L OLMEDA 100CT94	NAME TERMINAL, RING TONGUE, STRATO-THERM, DIAMOND GRIP WIRE SIZE: 16-14 AWG
CHK M ELLIS 100CT94	
APVD S BORTNER 100CT94	
PRODUCT SPEC -	
APPLICATION SPEC -	SIZE A3
WEIGHT -	CAGE CODE 00779
CUSTOMER DRAWING	

TE Connectivity	
SIZE A3	CAGE CODE 00779
DRAWING NO C-323161	RESTRICTED TO -
SCALE 6:1	SHEET 1 OF 1
REV H	