

776308-1 ✓ ACTIVE

AMP | AMPSEAL 16

TE Internal #: 776308-1

Housing for Male Terminals, Wire-to-Wire, 4 Position, .236 in [6 mm] Centerline, Sealable, Black, Cable Mount (Free-Hanging), AMPSEAL 16

[View on TE.com >](#)



Connectors > Automotive Connectors > Automotive Housings



Connector System: **Wire-to-Wire**

Number of Positions: **4**

Connector & Housing Type: **Housing for Male Terminals**

Centerline (Pitch): **6 mm [ .236 in ]**

Sealable: **Yes**

## Features

### Product Type Features

Mixed & Hybrid Connector	No
Connector Shape	Rectangular
Connector System	Wire-to-Wire
Connector & Housing Type	Housing for Male Terminals
Sealable	Yes
Primary Locking Feature	Integrated in Housing

### Configuration Features

Number of Positions	4
Number of Rows	2

### Electrical Characteristics

Operating Voltage	12 VDC
Nominal Voltage Architecture	12 V

### Body Features

Cable Exit Angle	180°
------------------	------



Primary Product Color	Black
-----------------------	-------

### Contact Features

Contact Type	Pin
Mating Pin Diameter	1.5 mm[.059 in]

### Mechanical Attachment

Terminal Position Assurance	Yes
Strain Relief	Without
Mating Alignment Type	Polarizing Rib
Mating Alignment	With
Connector Mounting Type	Cable Mount (Free-Hanging)

### Housing Features

Housing Material	PA GF
Centerline (Pitch)	6 mm[.236 in]

### Dimensions

Connector Height	16.3 mm[.642 in]
Product Width	48.6 mm[1.913 in]
Product Length	19.8 mm[.78 in]
Row-to-Row Spacing	6.3 mm[.248 in]

### Usage Conditions

Operating Temperature (Max)	70 °C, 75 °C, 80 °C, 85 °C, 90 °C, 100 °C, 105 °C[158 °F][167 °F][176 °F][185 °F][194 °F] [212 °F][221 °F]
Operating Temperature Range	-40 - 105 °C[-40 - 221 °F]

### Industry Standards

UL Flammability Rating	UL 94HB
------------------------	---------

### Packaging Features

Packaging Quantity	550
Packaging Method	Package

### Other

Serviceable	No
Connector Position Assurance Capable	No

## Product Compliance

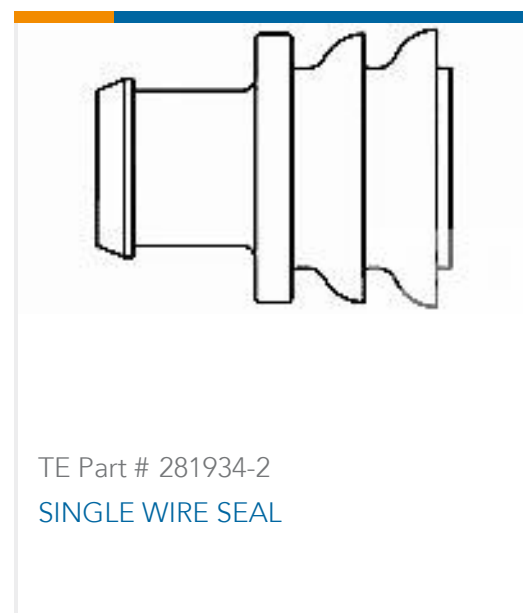
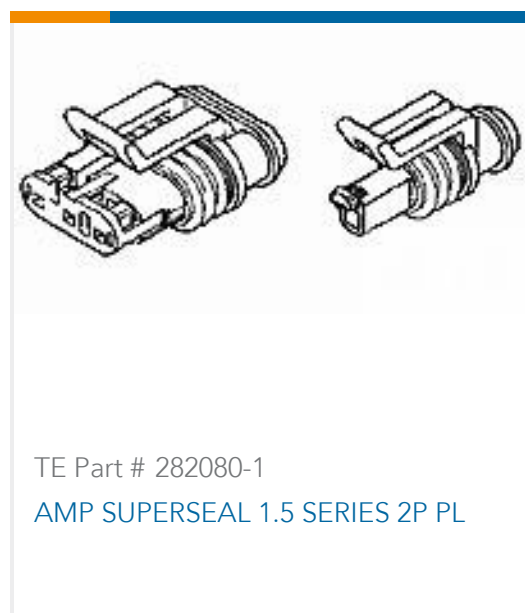
For compliance documentation, visit the product page on [TE.com](https://www.te.com)>

EU RoHS Directive 2011/65/EU	Compliant
EU ELV Directive 2000/53/EC	Compliant
China RoHS 2 Directive MIIT Order No 32, 2016	No Restricted Materials Above Threshold
EU REACH Regulation (EC) No. 1907/2006	Current ECHA Candidate List: JAN 2024 (240) Candidate List Declared Against: JAN 2024 (240) Does not contain REACH SVHC
Halogen Content	Low Halogen - Br, Cl, F, I < 900 ppm per homogenous material. Also BFR/CFR/PVC Free
Solder Process Capability	Not reviewed for solder process capability

### Product Compliance Disclaimer

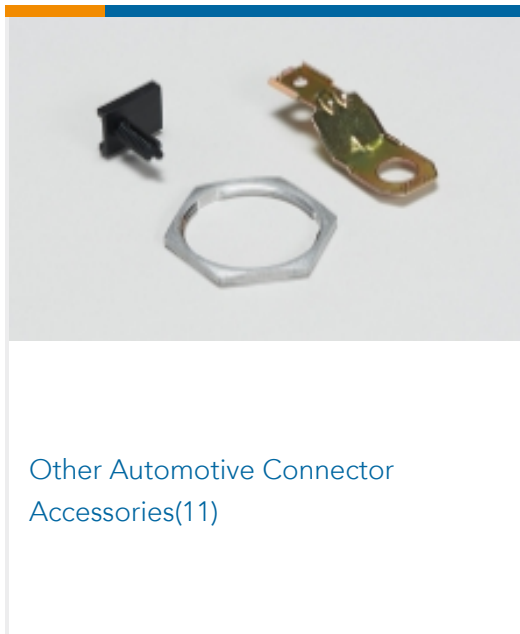
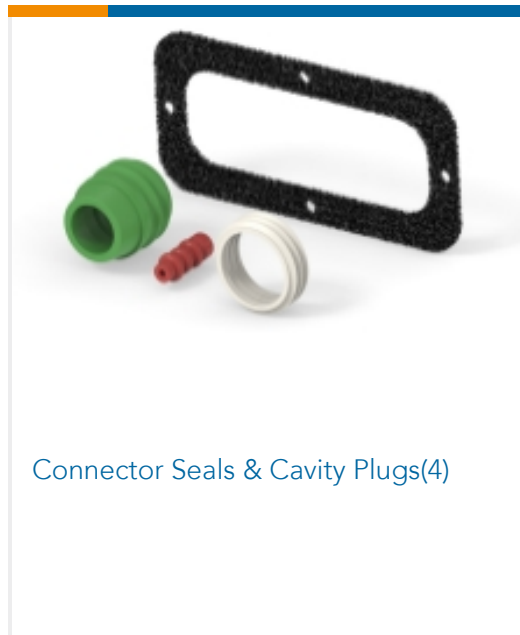
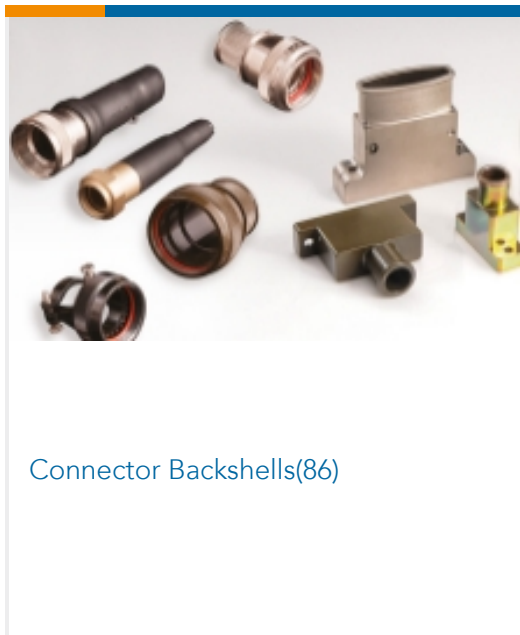
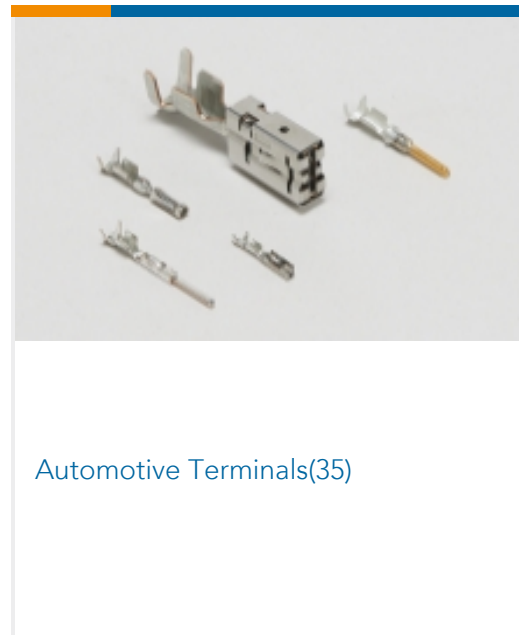
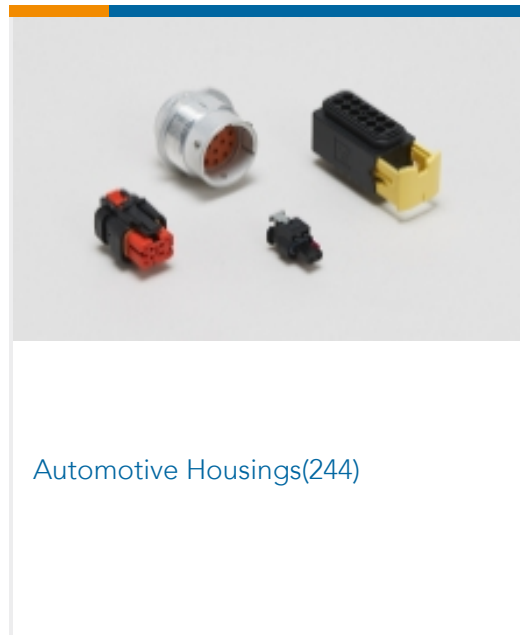
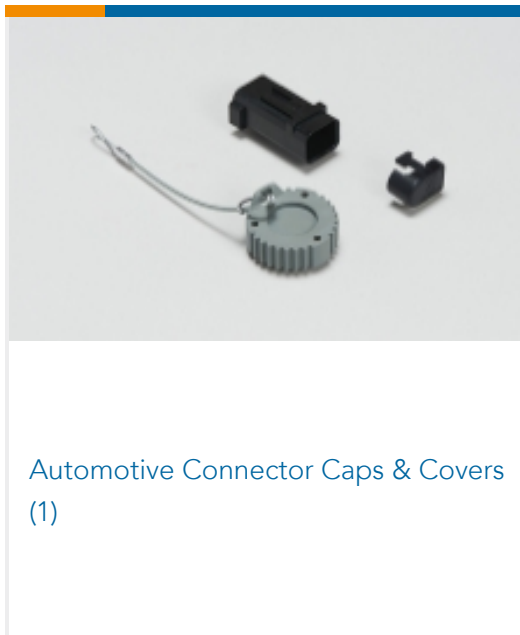
This information is provided based on reasonable inquiry of our suppliers and represents our current actual knowledge based on the information they provided. This information is subject to change. The part numbers that TE has identified as EU RoHS compliant have a maximum concentration of 0.1% by weight in homogenous materials for lead, hexavalent chromium, mercury, PBB, PBDE, DBP, BBP, DEHP, DIBP, and 0.01% for cadmium, or qualify for an exemption to these limits as defined in the Annexes of Directive 2011/65/EU (RoHS2). Finished electrical and electronic equipment products will be CE marked as required by Directive 2011/65/EU. Components may not be CE marked. Additionally, the part numbers that TE has identified as EU ELV compliant have a maximum concentration of 0.1% by weight in homogenous materials for lead, hexavalent chromium, and mercury, and 0.01% for cadmium, or qualify for an exemption to these limits as defined in the Annexes of Directive 2000/53/EC (ELV). Regarding the REACH Regulation, the information TE provides on SVHC in articles for this part number is based on the latest European Chemicals Agency (ECHA) 'Guidance on requirements for substances in articles' posted at this URL: <https://echa.europa.eu/guidance-documents/guidance-on-reach>

## Compatible Parts

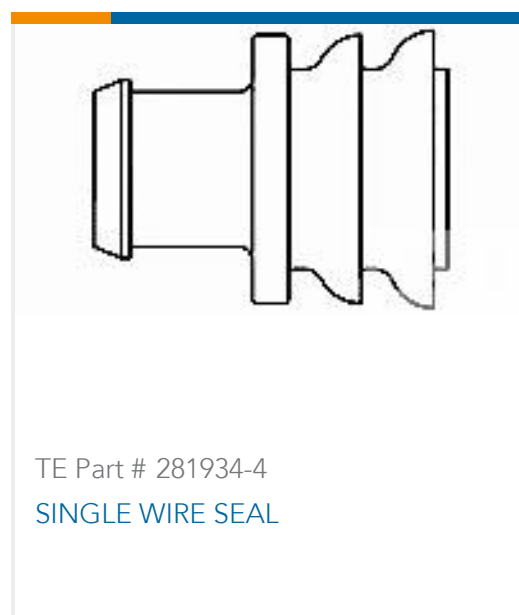
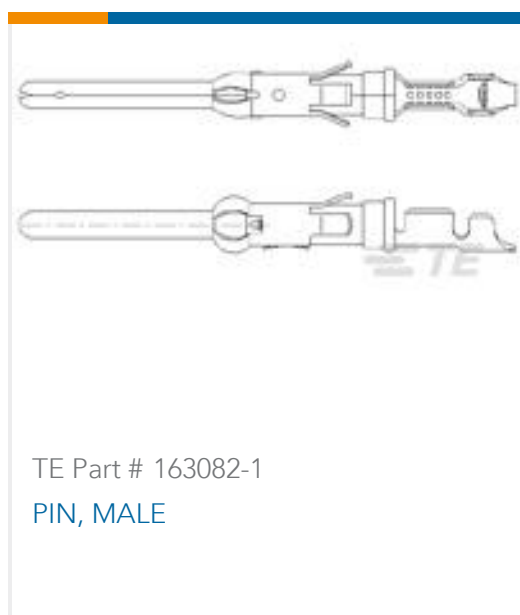




## Also in the Series | AMPSEAL 16



## Customers Also Bought





TE Part # 182926-1  
CPC PLUG ASSY SIZE 23-37



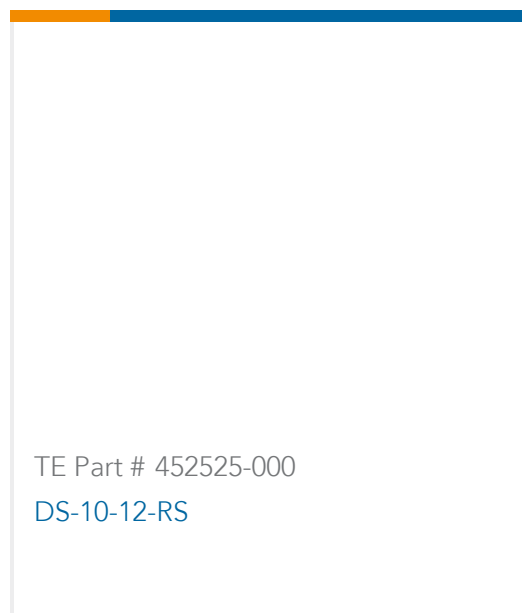
TE Part # 1-2112162-1  
21POS,TAB 2.8X0.8,TAB HSG,SEALED ASSY



TE Part # 282110-1  
MINI MIC RCPT CONTACT



TE Part # A90-DTP04  
BKS HL, 4P, BLK, PLG, RA-U, SIDE A, NW 16



TE Part # 452525-000  
DS-10-12-RS

## Documents

### Product Drawings

#### CAP HOUSING 4 POSITION

English

### CAD Files

#### 3D PDF

English

#### Customer View Model

[ENG\\_CVM\\_776308-1\\_A.2d\\_dxf.zip](#)

English

#### Customer View Model

[ENG\\_CVM\\_776308-1\\_A.3d\\_igs.zip](#)

English

#### Customer View Model

[ENG\\_CVM\\_776308-1\\_A.3d\\_stp.zip](#)

English

By downloading the CAD file I accept and agree to the [Terms and Conditions](#) of use.

### Datasheets & Catalog Pages

#### ICT Terminals and Connectors Catalogue

English

### Product Specifications

#### Application Specification

English

### Instruction Sheets

#### Instruction Sheet (U.S.)



776308-1

Housing for Male Terminals, Wire-to-Wire, 4 Position, .236 in [6 mm] Centerline,  
Sealable, Black, Cable Mount (Free-Hanging), AMPSEAL 16



English