

320138 ✓ ACTIVE

SOLISTRAND

TE Internal #: 320138

Closed Ring Tongue Terminal, 2 AWG, 1/4 / M6 Stud Size, 6.73 mm [.265 in] Stud Diameter, Closed Barrel, Straight, Tin, Uninsulated

[View on TE.com >](#)



Terminals & Splices > Ring Terminals



Ring Terminal Product Type: Closed Ring Tongue Terminal

Wire Size: 52600 - 83700 CMA

Stud Size: 1/4, M6

### Features

#### Product Type Features

|  |                             |
|--|-----------------------------|
| Ring Terminal Product Type             | Closed Ring Tongue Terminal |
| Stud Size                              | 1/4, M6                     |
| Sealable                               | No                          |
| Wire Insulation Support Retention Type | Non-Insulation Support      |

#### Configuration Features

|                 |   |
|-----------------|---|
| Number of Holes | 1 |
|-----------------|---|

#### Body Features

|                |          |
|----------------|----------|
| Product Weight | 17.121 g |
|----------------|----------|

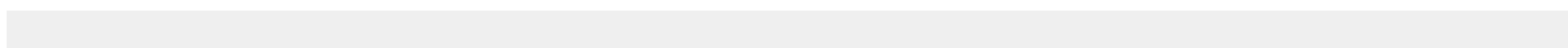
#### Contact Features

|                           |          |
|---------------------------|----------|
| Barrel Type               | Closed   |
| Terminal Orientation      | Straight |
| Terminal Plating Material | Tin      |

#### Mechanical Attachment

|                         |         |
|-------------------------|---------|
| Wire Insulation Support | Without |
|-------------------------|---------|

#### Dimensions





|                        |                   |
|------------------------|-------------------|
| Wire Size              | 52600 - 83700 CMA |
| Stud Diameter          | 6.73 mm[.265 in]  |
| Tongue Thickness       | .79 mm[.031 in]   |
| Product Length         | .07 mm[1.657 in]  |
| Barrel Inside Diameter | 9.4 mm[.37 in]    |

### Usage Conditions

|                             |                |
|-----------------------------|----------------|
| Insulation Option           | Uninsulated    |
| Operating Temperature Range | 170 °C[338 °F] |

### Operation/Application

|                                       |        |
|---------------------------------------|--------|
| Compatible With Wire Base Material    | Copper |
| Compatible With Wire Plating Material | Tin    |

### Industry Standards

|                               |    |
|-------------------------------|----|
| Government Qualified Terminal | No |
|-------------------------------|----|

### Packaging Features

|                    |             |
|--------------------|-------------|
| Packaging Quantity | 50          |
| Packaging Method   | Loose Piece |

### Product Compliance

[For compliance documentation, visit the product page on TE.com>](#)

|   |   |
|---|---|
| EU RoHS Directive 2011/65/EU                  | Compliant   |
| EU ELV Directive 2000/53/EC                   | Compliant   |
| China RoHS 2 Directive MIIT Order No 32, 2016 | No Restricted Materials Above Threshold   |
| EU REACH Regulation (EC) No. 1907/2006        | Current ECHA Candidate List: JAN 2024 (240)<br>Candidate List Declared Against: JAN 2024 (240)<br>Does not contain REACH SVHC |
| Halogen Content                               | Low Halogen - Br, Cl, F, I < 900 ppm per homogenous material. Also BFR/CFR/PVC Free   |
| Solder Process Capability                     | Not applicable for solder process capability  |

#### Product Compliance Disclaimer

This information is provided based on reasonable inquiry of our suppliers and represents our current actual knowledge based on the information they provided. This information is subject to change. The part numbers that TE has identified as EU RoHS compliant have a maximum concentration of 0.1% by weight in homogenous materials for lead, hexavalent chromium, mercury, PBB, PBDE, DBP, BBP, DEHP, DIBP, and 0.01% for cadmium, or qualify for an exemption to these

limits as defined in the Annexes of Directive 2011/65/EU (RoHS2). Finished electrical and electronic equipment products will be CE marked as required by Directive 2011/65/EU. Components may not be CE marked. Additionally, the part numbers that TE has identified as EU ELV compliant have a maximum concentration of 0.1% by weight in homogenous materials for lead, hexavalent chromium, and mercury, and 0.01% for cadmium, or qualify for an exemption to these limits as defined in the Annexes of Directive 2000/53/EC (ELV). Regarding the REACH Regulation, the information TE provides on SVHC in articles for this part number is based on the latest European Chemicals Agency (ECHA) 'Guidance on requirements for substances in articles' posted at this URL: <https://echa.europa.eu/guidance-documents/guidance-on-reach>

## Compatible Parts



TE Part # 601075  
BANTAM ROTA-CRIMP TOOL



TE Part # 1490414-2  
HYP10 SOLIS HD 6-4AWG INDENTER



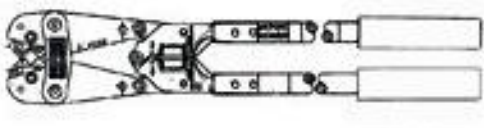
TE Part # 48127  
HYP8 SOLIS 6-2AWG INDENTER



TE Part # 45433  
HYP8/10 SOLIS 2AWG DIE SET



TE Part # 1490413-4  
HYP10 SOLIS 2AWG NEST



TE Part # 600850  
ROTO-CRIMP TOOL (ASI)



TE Part # 48130  
HYP8 SOLIS 2AWG NEST

## Customers Also Bought



TE Part # 4-1630019-5  
Power Resistors: Aluminum Housed, HSA



TE Part # 35277  
TERMINAL,SOLIS R 90DEG 8 1/4



TE Part # 33115-1  
TERMINAL,SOLIS R 4 5/16 90DEG



TE Part # 35184  
TERMINAL,SOLIS R 2 3/8



TE Part # 35185  
TERMINAL,SOLIS R 2 1/2



TE Part # 33471  
TERMINAL,SOLIS R 4 3/8



TE Part # 755336-1  
DAHT FASTON 22-14 ASSY



TE Part # 33115  
TERMINAL,SOLIS R 4 5/16



## Documents

### Product Drawings

[TERMINAL,SOLIS R 2 1/4](#)

English

### CAD Files

#### 3D PDF

3D

Customer View Model

[ENG\\_CVM\\_CVM\\_320138\\_U.2d\\_dxf.zip](#)

English

Customer View Model

[ENG\\_CVM\\_CVM\\_320138\\_U.3d\\_igs.zip](#)

English

Customer View Model

[ENG\\_CVM\\_CVM\\_320138\\_U.3d\\_stp.zip](#)

English

#### 3D PDF

English

Customer View Model

[ENG\\_CVM\\_320138\\_F.3d\\_igs.zip](#)

English

Customer View Model

[ENG\\_CVM\\_320138\\_F.3d\\_stp.zip](#)

English

Customer View Model

[ENG\\_CVM\\_320138\\_F.2d\\_dxf.zip](#)

English

By downloading the CAD file I accept and agree to the [Terms and Conditions](#) of use.

### Agency Approvals

#### UL Report

English

#### UL Report

English

320138

Closed Ring Tongue Terminal, 2 AWG, 1/4 / M6 Stud Size, 6.73 mm [.265 in] Stud Diameter, Closed Barrel, Straight, Tin, Uninsulated

