

7

6

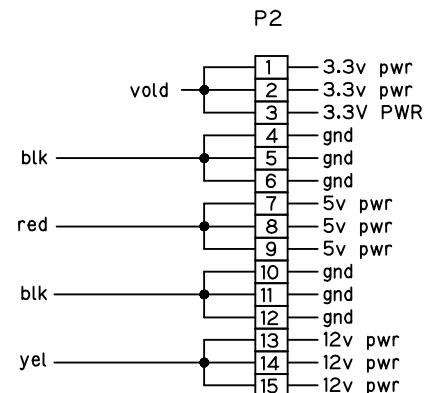
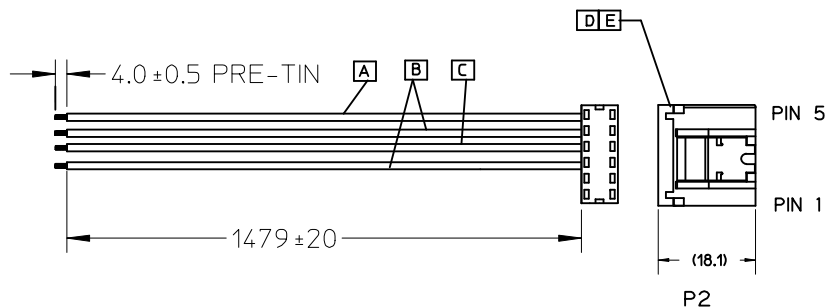
5

4

3

2

1



NOTE: 1. ELECTRIC PERFORMANCE: (オ酥 ヤトフ)

DIELECTRIC STRENGTH: 500/0.01S V DC.(ス筋断ソカネヨアチ00V/0.01テ)

INSULATION RESISTANCE :100M OHMS MIN.(セ オラ 登ケラ 障.100ユラナキ)

CONDUCTIVE RESISTANCE:2 OHMS MAX.(オシフ 登ケラ 鋸0ナキトキ)

2.S-ATA HOUSING:

POLYESTER(PBT), UL94V-0(BLACK)

68561-0021	679260002	30u' Gold - plated terminal
68561-0020	679260001	Gold flash terminal
MATERIAL NO	S-ATA CONN.	DESCRIPTION

E	COVER 679261040	1	
D	S-ATA CONN. : SEE TABLE	1	
C	UL1430 #18 RED 887714301	1	1485
B	UL1430 #18 BLK 887714300	2	2970
A	UL1430 #18 YEL 887714303	1	1485
ITEM	DESCRIPTION	QTY	L(mm)

ENTER DESCRIPTION EC NO: CPG2014-1666 DRWN: JXIA004 CHKD: GXYANG APPR: FNIE 2013/12/04 2013/12/04 2013/12/09	QUALITY SYMBOLS ▽=0 ◻=0	GENERAL TOLERANCES (UNLESS SPECIFIED)		DIMENSION STYLE MM ONLY		SCALE ---	DESIGN UNITS METRIC	THIRD ANGLE PROJECTION		
				DRAWN BY GXYANG	DATE 04/08/10	TITLE S-ATA IDT POWER LATCHING TO PIGTAIL CABLE ASSEMBLY 1.5M (5V+12V)				
				CHECKED BY TEDDY	DATE 04/08/10	MOLEX INCORPORATED				
				APPROVED BY BORON	DATE 04/08/10	MATERIAL NO. 685610020/1	DOCUMENT NO. SD-68561-004	SHEET NO. 1 OF 1		
DRAFT WHERE APPLICABLE MUST REMAIN WITHIN DIMENSIONS		THIS DRAWING CONTAINS INFORMATION THAT IS PROPRIETARY TO MOLEX INCORPORATED AND SHOULD NOT BE USED WITHOUT WRITTEN PERMISSION								

6

5

4

3

2

1