

NOTES:

1. MATERIAL:

HOUSING: LIQUID CRYSTAL POLYMER (LCP), GLAS-FILLED, UL 94V-0,

COLOR: BLASK

TERMINALS: BRASS

2. FINISH:

TERMINAL: 0.76 MICROMETERS/30 MICROINCHES MINIMUM SELECTIVE GOLD

IN CONTACT AREA; 1.27 MICROMETERS/50 MICROINCHES MINIMUM

SELECTIVE TIN IN THE PC TAIL AREA; NICKEL UNDERPLATE OVERALL

3. ASSEMBLY MATES WITH MOLEX P/N SDA-71660-****

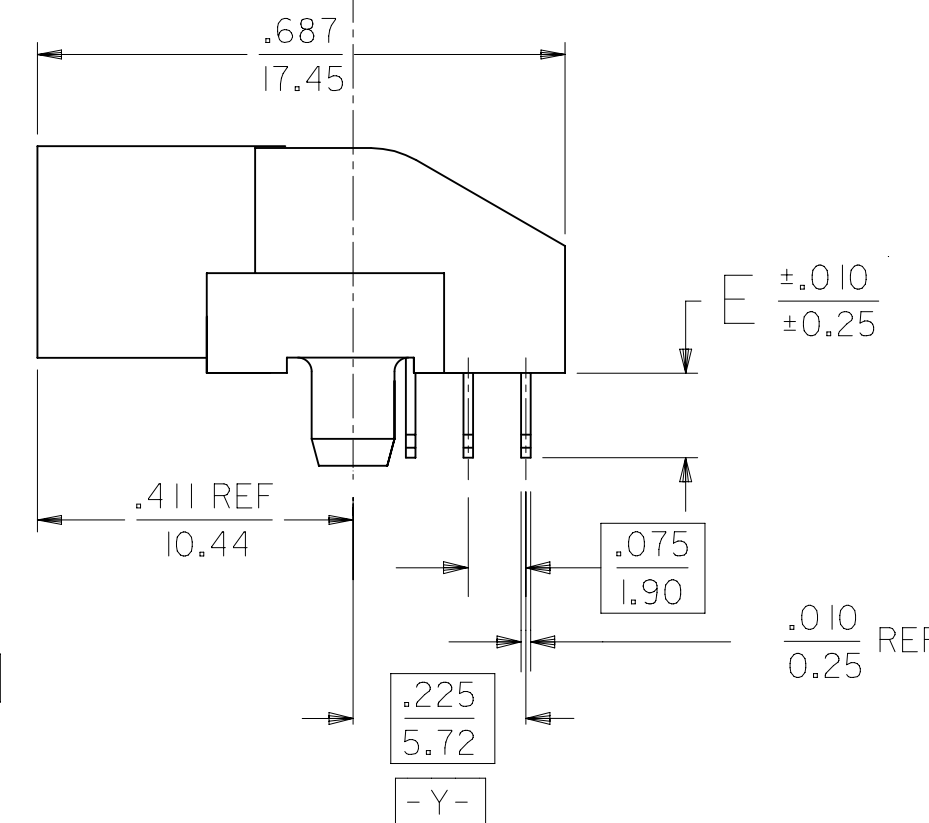
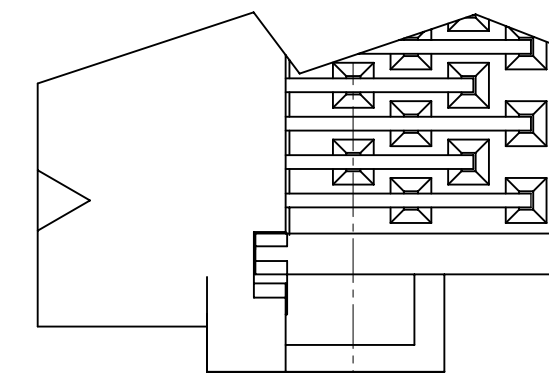
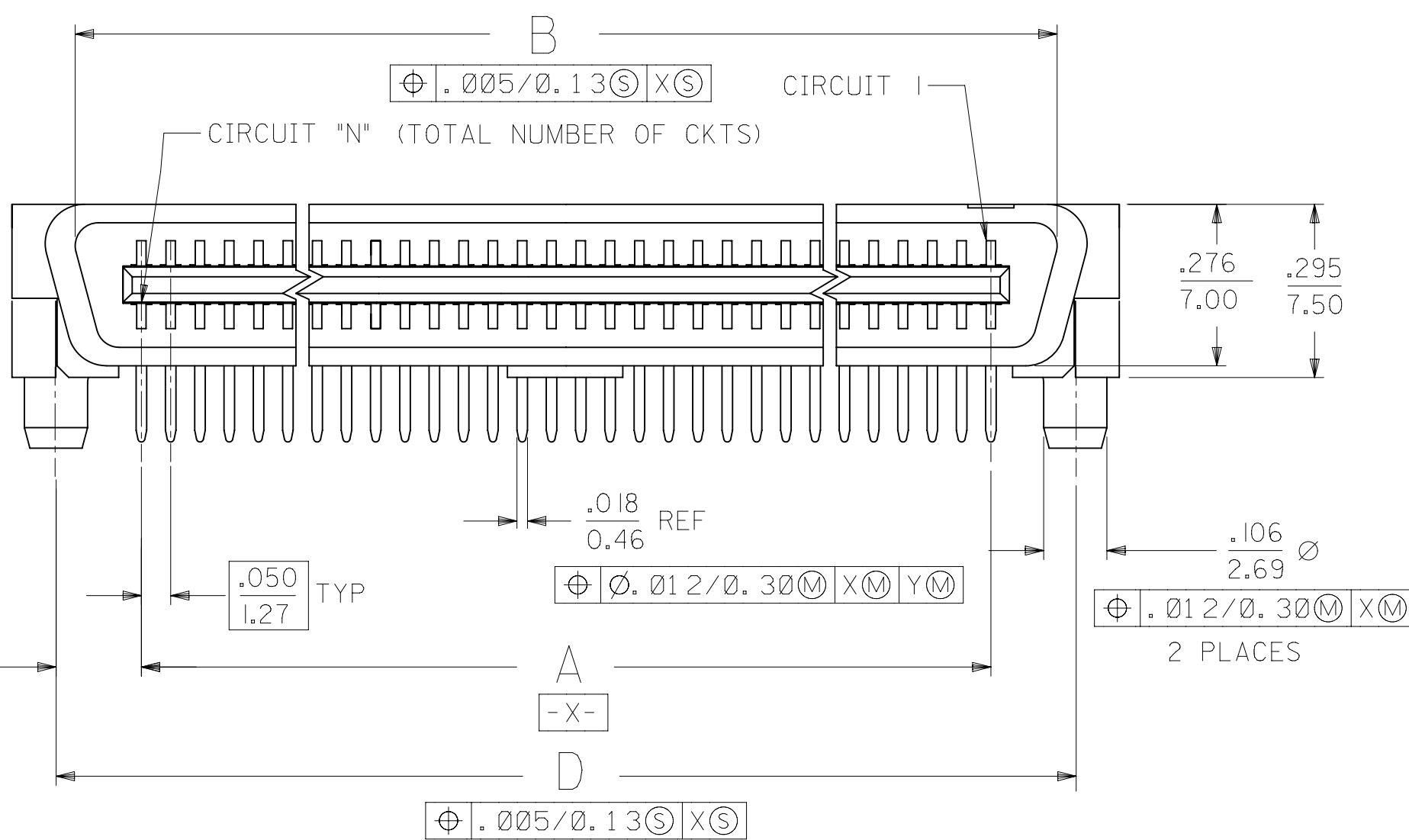
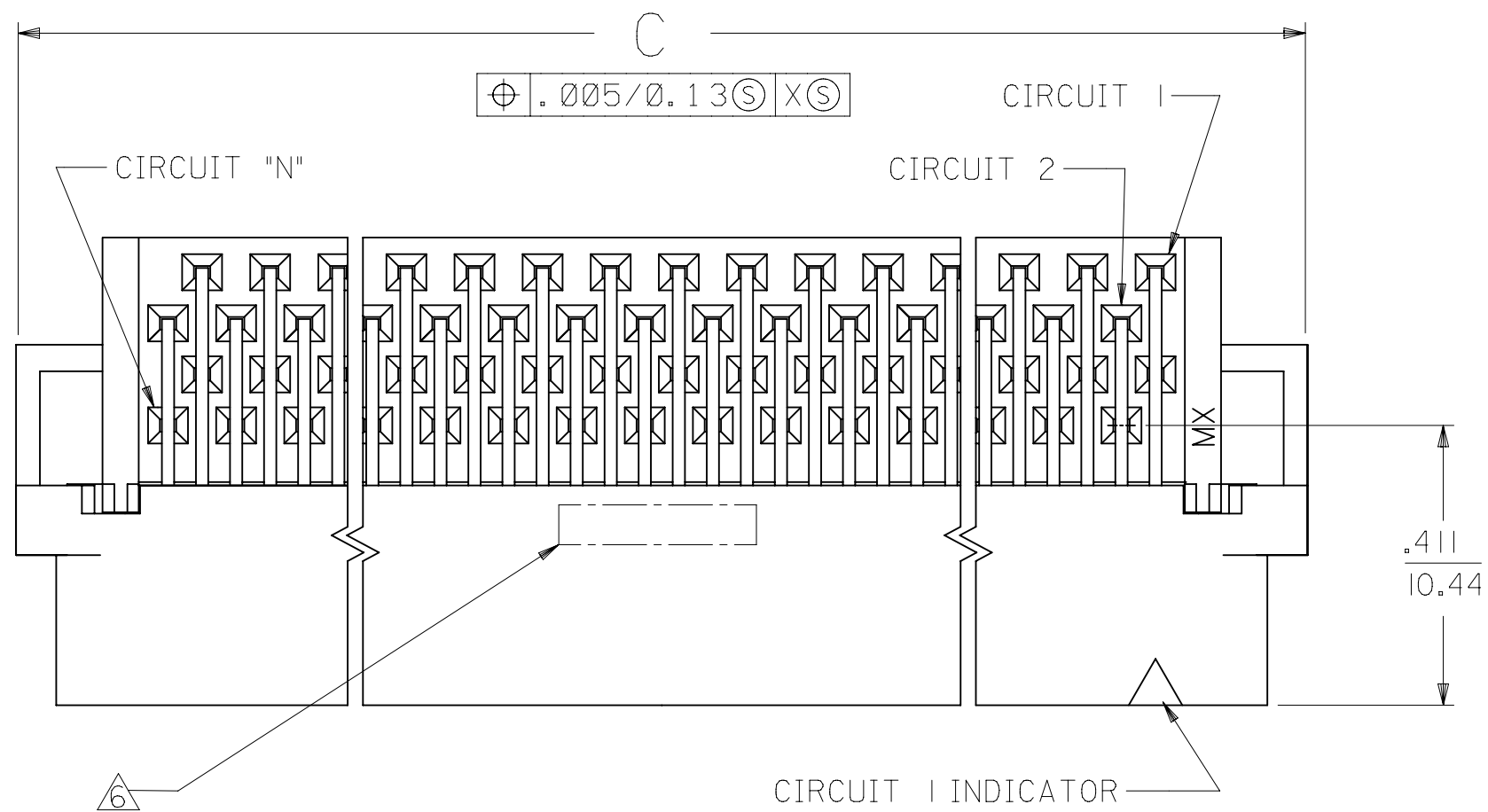
4. CONFORMS TO PRODUCT SPEC: PS-71660

5. RECOMMENDED PC BOARD THICKNESS IS .062/1.60

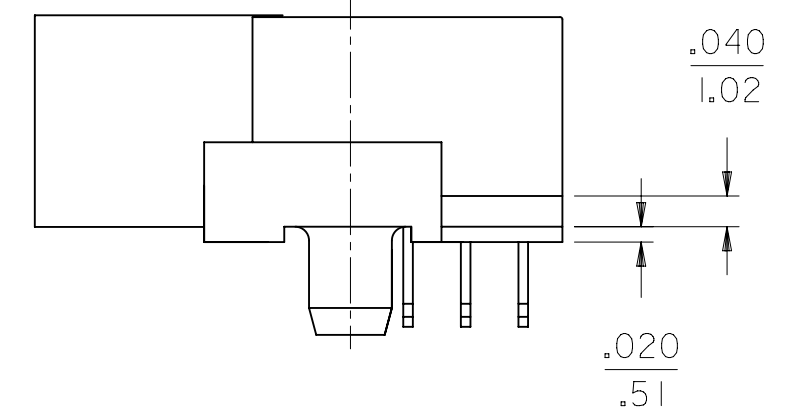
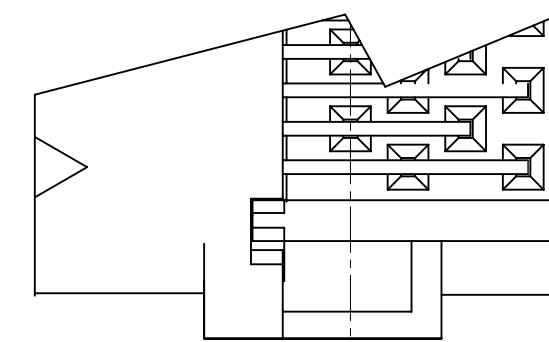
6. FOUR DIGIT DATE CODE (WK, YR) EXAMPLE 26 96 LOCATED IN AREA SHOWN

7. TOOLING STATUS: "X" INDICATES NO TOOLING AVAILABLE

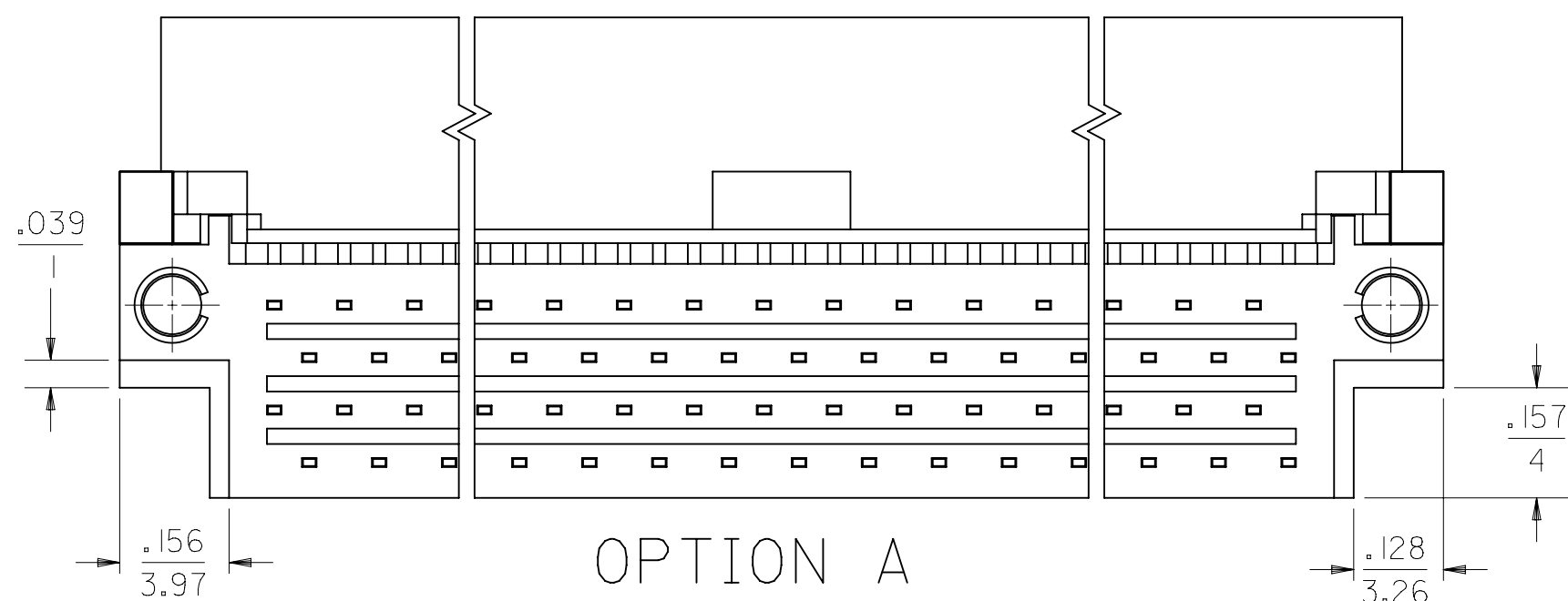
CONTACT FACTORY FOR FURTHER INFORMATION



END DETAIL
OPTION A
(BOTH ENDS)



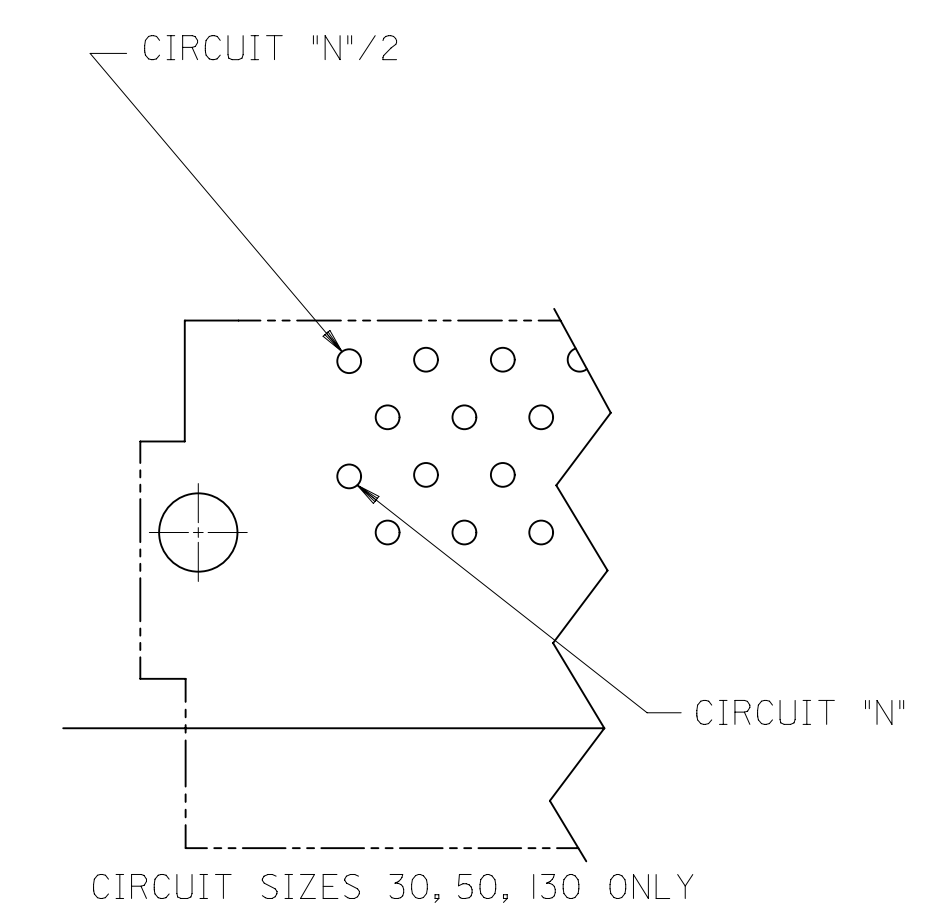
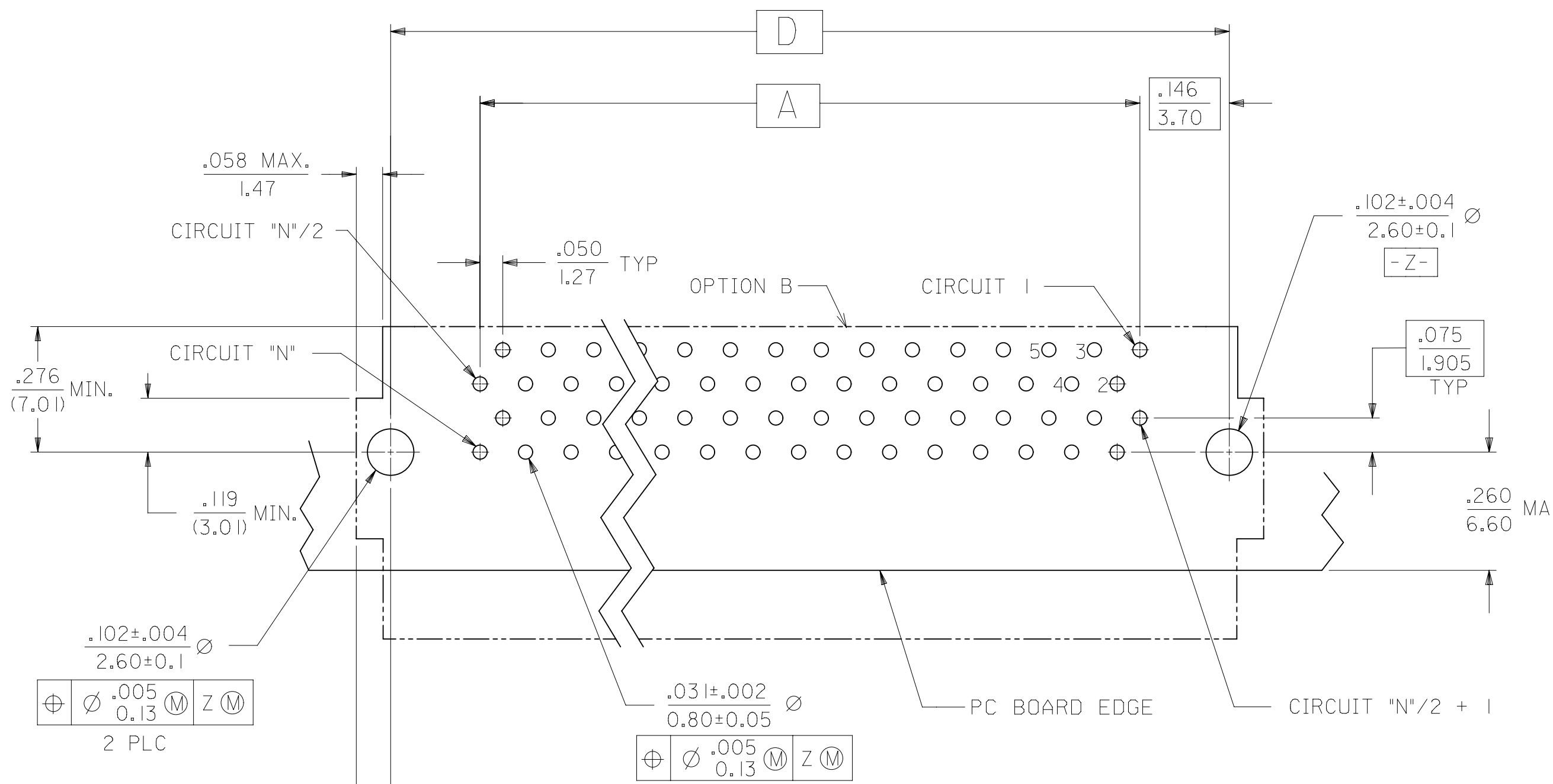
END DETAIL
OPTION B
(BOTH ENDS)



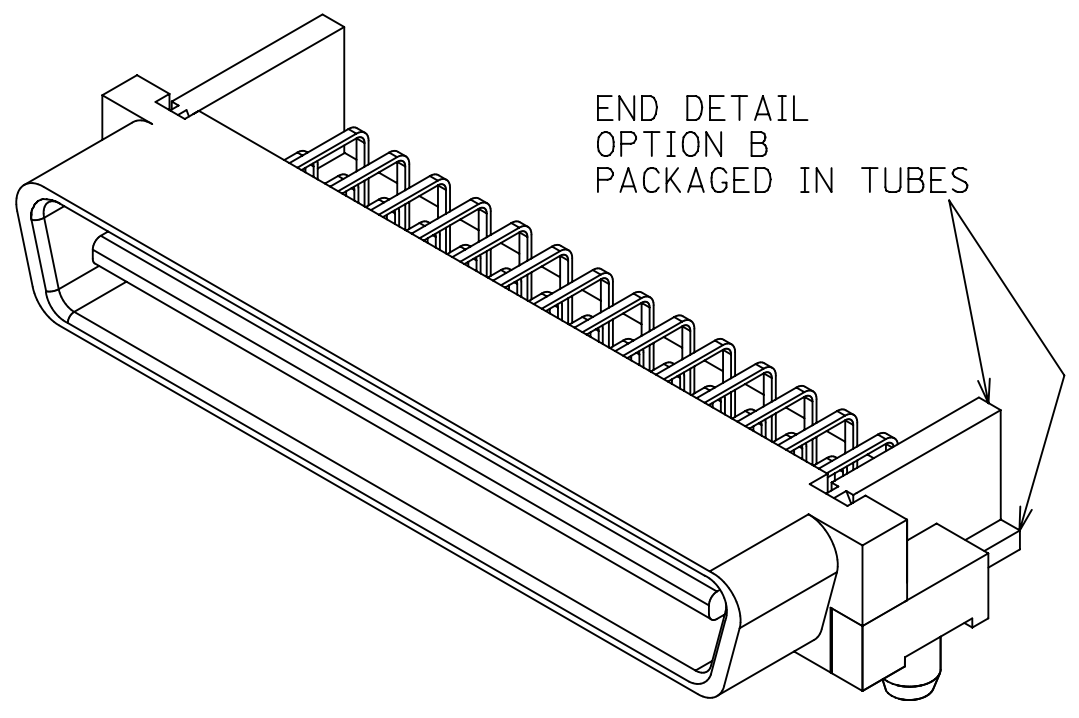
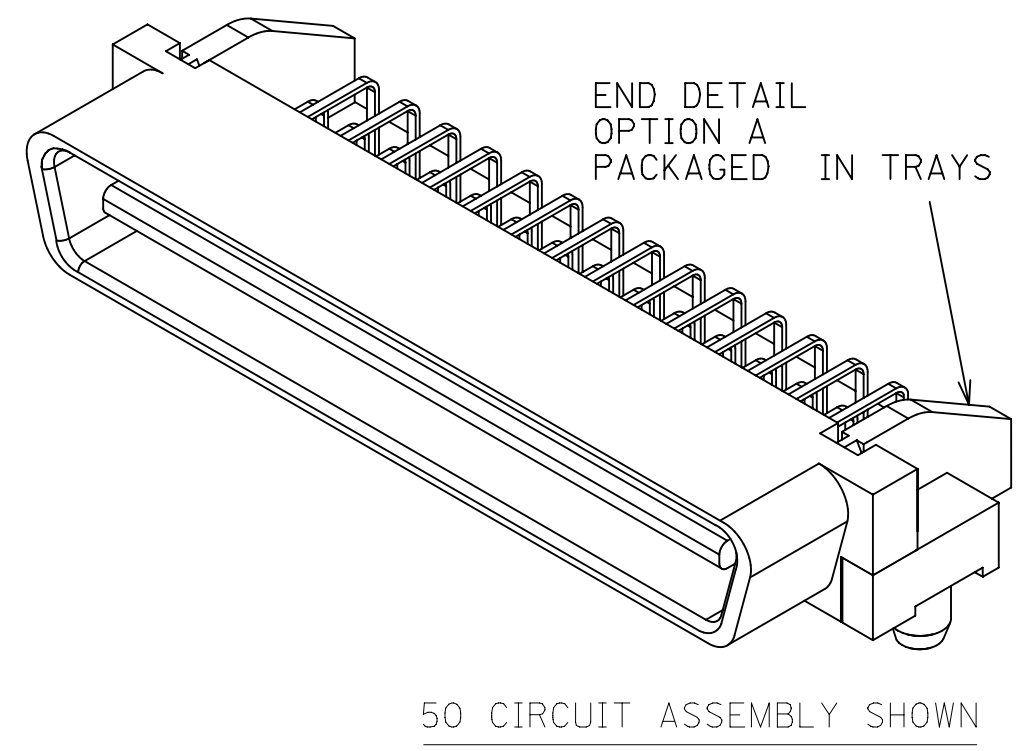
OPTION A

THIS DRAWING CONTAINS INFORMATION THAT IS PROPRIETARY TO MOLEX ELECTRONIC TECHNOLOGIES, LLC AND SHOULD NOT BE USED WITHOUT WRITTEN PERMISSION

| | | | | | | | | |
|--|----|------------------------|------|--|--------|--------------|--------------------------|----------|
| DIMENSION UNITS | | SCALE | | CURRENT REV DESC: OBSOLETE PART NUMBER | | | | |
| IN/MM | | 4:1 | | | | | | |
| GENERAL TOLERANCES (UNLESS SPECIFIED) | | | | | | | | |
| | MM | INCH | | EC NO: 644856 DRWN: RPRABHUM 2020/07/15 CHK'D: GGA 2020/10/07 APPR: GGA 2020/10/07 INITIAL REVISION: DRWN: RAN 1993/02/23 APPR: CAB 1993/02/23 | | | | |
| 4 PLACES | ± | ± | | | | | | |
| 3 PLACES | ± | ± | 0.01 | | | | | |
| 2 PLACES | ± | 0.25 | ± | | | | | |
| 1 PLACE | ± | ± | | | | | | |
| 0 PLACES | ± | ± | | DOCUMENT NUMBER SDA-71661-2XXX | | DOC TYPE | DOC PART | REVISION |
| ANGULAR TOL | ± | 0.5° | | MATERIAL NUMBER SEE TABLE | | CUSTOMER | GENERAL MARKET 1 OF 2 | |
| DRAFT WHERE APPLICABLE MUST REMAIN WITHIN DIMENSIONS | | THIRD ANGLE PROJECTION | | DRAWING | SERIES | SHEET NUMBER | | |
| | | | | C-SIZE | 71661 | 1 OF 2 | | |



RECOMMENDED PC BOARD LAYOUT **COMPONENT SIDE**



TRAY PACK
PER SPEC.
PK-70873-084*

END DETAIL
OPTION "A"

| | | | | | | |
|----------------|---------------|---------------|---------------|---------------|-----------|-------------|
| .110 (2.79) | 2.741 (69.63) | 2.892 (73.45) | 2.676 (67.97) | 2.450 (62.23) | 100 | 71661-2100 |
| | 1.941 (49.31) | 2.092 (53.13) | 1.875 (47.65) | 1.650 (41.91) | 68 | 71661-2068 |
| | 1.491 (37.88) | 1.642 (41.70) | 1.426 (36.22) | 1.200 (30.48) | 50 | 71661-2050 |
| | 1.241 (31.53) | 1.392 (35.35) | 1.176 (29.87) | .950 (24.13) | 40 | 71661-2040 |
| | .991 (25.18) | 1.142 (29.00) | .925 (23.52) | .700 (17.78) | 30 | 71661-2030 |
| E | D | C | B | A | CKT ("N") | ITEM NUMBER |

THIS DRAWING CONTAINS INFORMATION THAT IS PROPRIETARY TO MOLEX ELECTRONIC TECHNOLOGIES, LLC AND SHOULD NOT BE USED WITHOUT WRITTEN PERMISSION

| | | | | | | |
|--|------------------------|--|--------------|--------------------------|----------------|---------------------------------------|
| DIMENSION UNITS IN/MM | SCALE 4:1 | CURRENT REV DESC: OBSOLETE PART NUMBER | | molex | | |
| GENERAL TOLERANCES (UNLESS SPECIFIED) | | EC NO: 644856 | | | | |
| 4 PLACES ± | ± | DRWN: RPRABHUM | | 2020/07/15 | | |
| 3 PLACES ± | ± 0.01 | CHK'D: GGA | | 2020/10/07 | | |
| 2 PLACES ± | 0.25 ± | APPR: GGA | | 2020/10/07 | | |
| 1 PLACE ± | ± | INITIAL REVISION: | | PRODUCT CUSTOMER DRAWING | | |
| 0 PLACES ± | ± | DRWN: RAN | | DOCUMENT NUMBER | | DOC TYPE DOC PART REVISION |
| ANGULAR TOL ± 0.5 ° | | APPR: CAB | | 1993/02/23 | | SDA-71661-2XXX PSD 001 R |
| DRAFT WHERE APPLICABLE MUST REMAIN WITHIN DIMENSIONS | THIRD ANGLE PROJECTION | DRAWING | SERIES | MATERIAL NUMBER | CUSTOMER | SHEET NUMBER |
| | | C-SIZE | 71661 | SEE TABLE | GENERAL MARKET | 2 OF 2 |