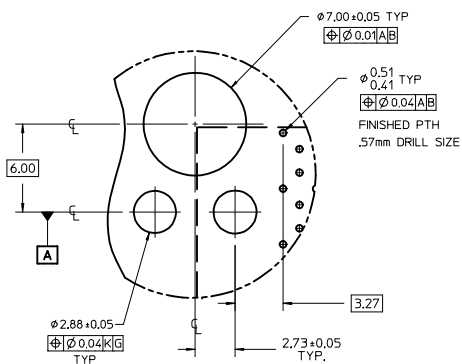


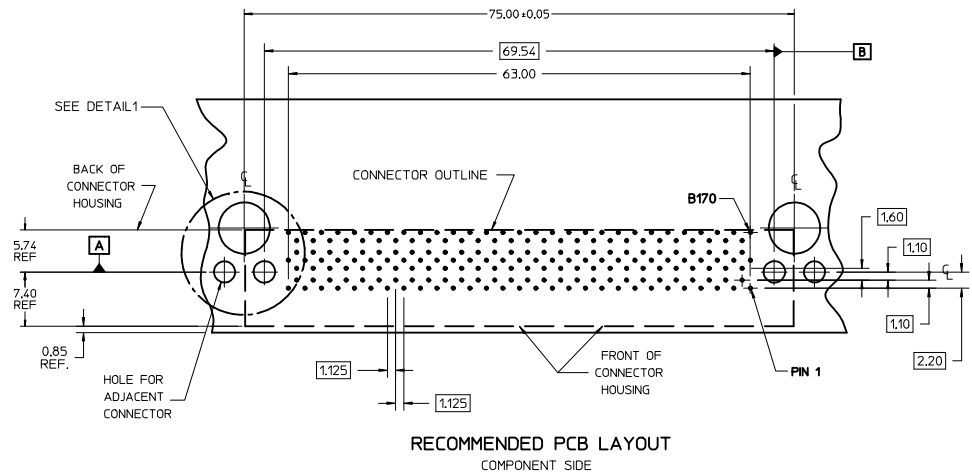
- NOTES:
- MATERIAL
CONNECTOR HOUSING: GLASS FILLED LCP, 94 V-0
COLOR: BLACK
WAFERS: GLASS FILLED LCP
COLOR: BLACK,
TERMINALS: HIGH PERFORMANCE COPPER ALLOY
 - FINISH:
CONTACT AREA: 0.75μm MIN. HARD GOLD
OVER 1.25μm MIN. NICKEL
COMPLIANT AREA: 0.75-1.50μm TIN (LEAD-FREE)
OVER 1.25μm MIN. NICKEL
 - REFER TO PS-75800-001 PRODUCT SPEC FOR ALL ELECTRICAL, MECHANICAL, AND ENVIRONMENTAL SPECIFICATIONS.
 - REFER TO PK-75800-203 AND PK-70873-560 FOR ALL PACKAGING SPECIFICATIONS.
 - REFER TO AS-75800-999 FOR BOARD APPLICATION INFORMATION.
 - REFER TO AS-75800-002 FOR BOARD LAYOUT ROUTING RECOMMENDATIONS.
 - REFER TO AS-75800-003 FOR SI GUIDELINE FIXTURE DEFINITIONS.
 - DATE CODE AND PART NUMBER TO BE LASER ETCHED IN APPROXIMATE LOCATION SHOWN OR APPLIED BY LABEL. INFO TO INCLUDE PART NUMBER, MANUFACTURING FACILITY AND DATE CODE IN THE FORMAT OF WEEK AND LAST TWO DIGITS OF THE YEAR, WWYY.

PRODUCT IS RoHS COMPLIANT

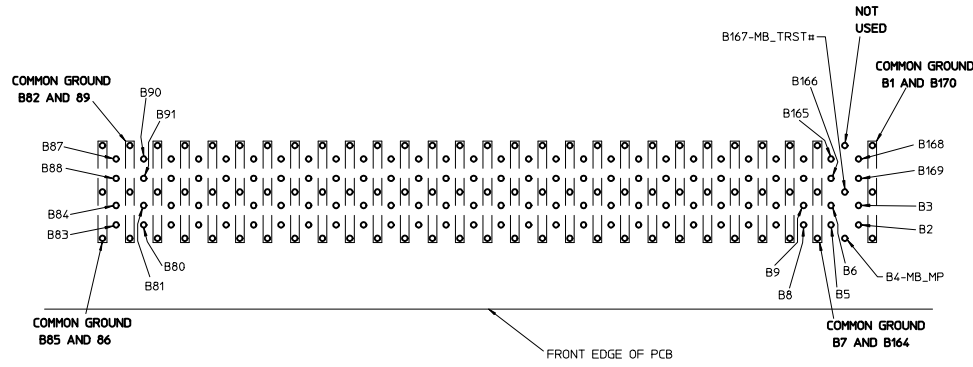
REDRAWN & REV. NOTE 4 & 7 IEC NO: UCP2016-2563 DRWNSR0814 2013/08/14 CHYKH010FE 2015/12/18 APPRS: MILLER 2016/01/05	QUALITY SYMBOLS	GENERAL TOLERANCES (UNLESS SPECIFIED)	DIMENSION STYLE	SCALE	DESIGN UNITS	THIRD ANGLE PROJECTION
	∇=0 ∇=0 ∇=0	mm INCH 4 PLACES ± --- ± --- 3 PLACES ± --- ± .005 2 PLACES ± 0.13 ± .010 1 PLACE ± 0.25 ± --- 0 PLACE ± ±	MM ONLY	2:1	METRIC	DRAWN BY DATE HAVERY 2006/08/30 CHECKED BY DATE MWOLFE 2015/12/18 APPROVED BY DATE
	ANGULAR ±1/2° DRAFT WHERE APPLICABLE MUST REMAIN WITHIN DIMENSIONS	MATERIAL NO.	DOCUMENT NO.	ADVANCED MC (AMC) B+ STYLE CONNECTOR		
		75800-0001	SD-75800-001	molex SHEET NO. 1 OF 2		



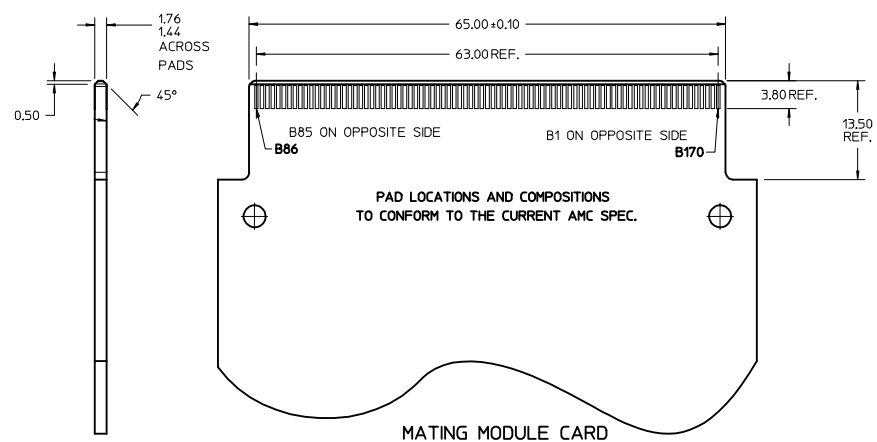
DETAIL 1
SCALE 6:1



RECOMMENDED PCB LAYOUT
COMPONENT SIDE



CONNECTOR PINOUT
COMPONENT SIDE



MATING MODULE CARD
DETAIL
TOP VIEW

SEE SHEET 1 EC NO: UCP2016-2563 DRAWNS: SGOJEL 2013/08/14 CHKD: MWOLFE 2015/12/18 APPR: MILLER 2016/01/05	QUALITY SYMBOLS ▽=0 ▽=0 ▽=0	GENERAL TOLERANCES (UNLESS SPECIFIED) <table border="1"> <tr> <th></th> <th>mm</th> <th>INCH</th> </tr> <tr> <td>4 PLACES</td> <td>±.005</td> <td>±.0005</td> </tr> <tr> <td>3 PLACES</td> <td>±.010</td> <td>±.0010</td> </tr> <tr> <td>2 PLACES</td> <td>±.015</td> <td>±.0015</td> </tr> <tr> <td>1 PLACE</td> <td>±.025</td> <td>±.0025</td> </tr> <tr> <td>0 PLACE</td> <td>±.050</td> <td>±.0050</td> </tr> </table>		mm	INCH	4 PLACES	±.005	±.0005	3 PLACES	±.010	±.0010	2 PLACES	±.015	±.0015	1 PLACE	±.025	±.0025	0 PLACE	±.050	±.0050	DIMENSION STYLE MM ONLY	SCALE 2:1	DESIGN UNITS METRIC	THIRD ANGLE PROJECTION
		mm	INCH																					
	4 PLACES	±.005	±.0005																					
	3 PLACES	±.010	±.0010																					
2 PLACES	±.015	±.0015																						
1 PLACE	±.025	±.0025																						
0 PLACE	±.050	±.0050																						
DESCRIPTION ADVANCED MC (AMC) B+ STYLE CONNECTOR	DRAWN BY HAVERY	DATE 2006/08/30	TITLE	MATERIAL NO. 75800-0001	DOCUMENT NO. SD-75800-001	SHEET NO. 2 OF 2																		
DRAFT WHERE APPLICABLE MUST REMAIN WITHIN DIMENSIONS	SIZE D	THIS DRAWING CONTAINS INFORMATION THAT IS PROPRIETARY TO MOLEX INCORPORATED AND SHOULD NOT BE USED WITHOUT WRITTEN PERMISSION																						