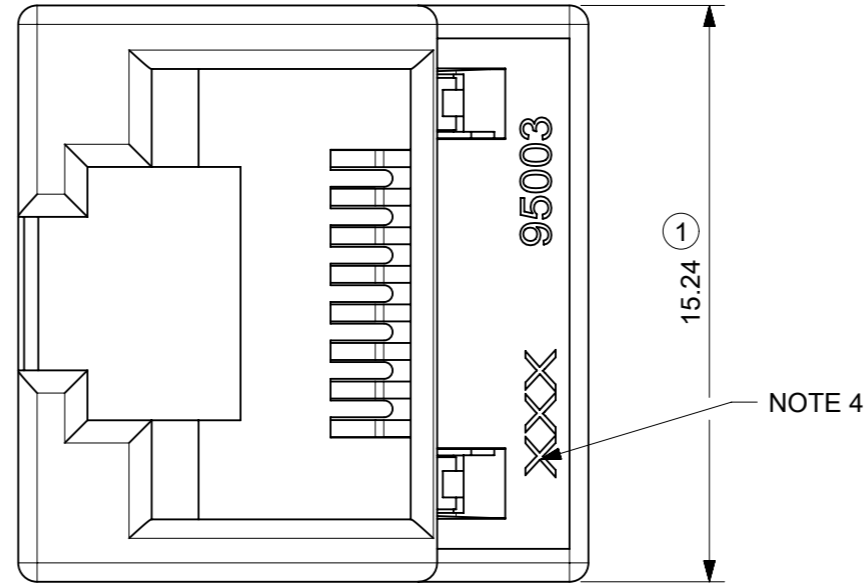


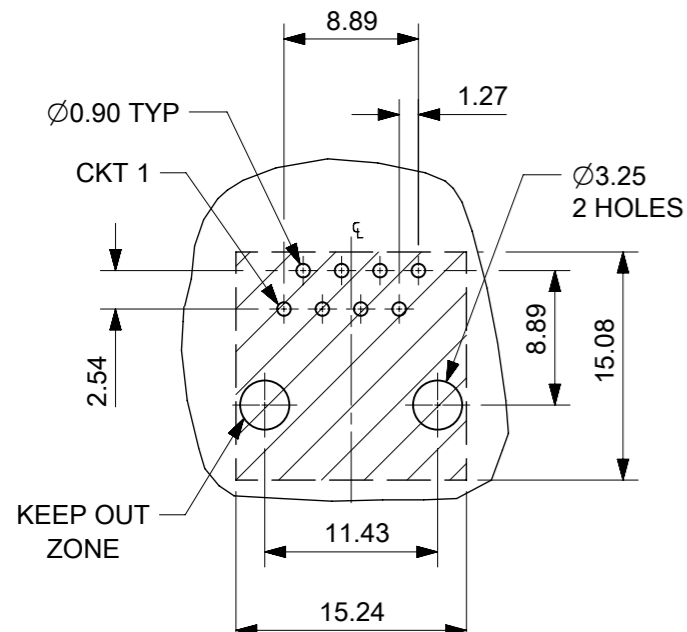
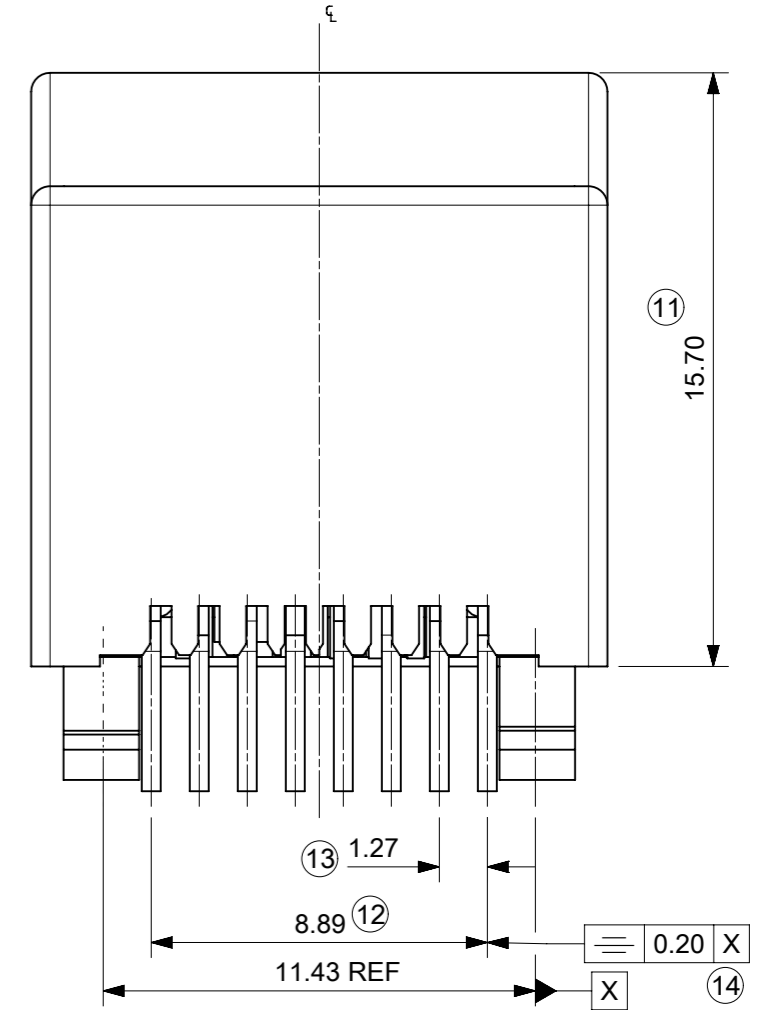
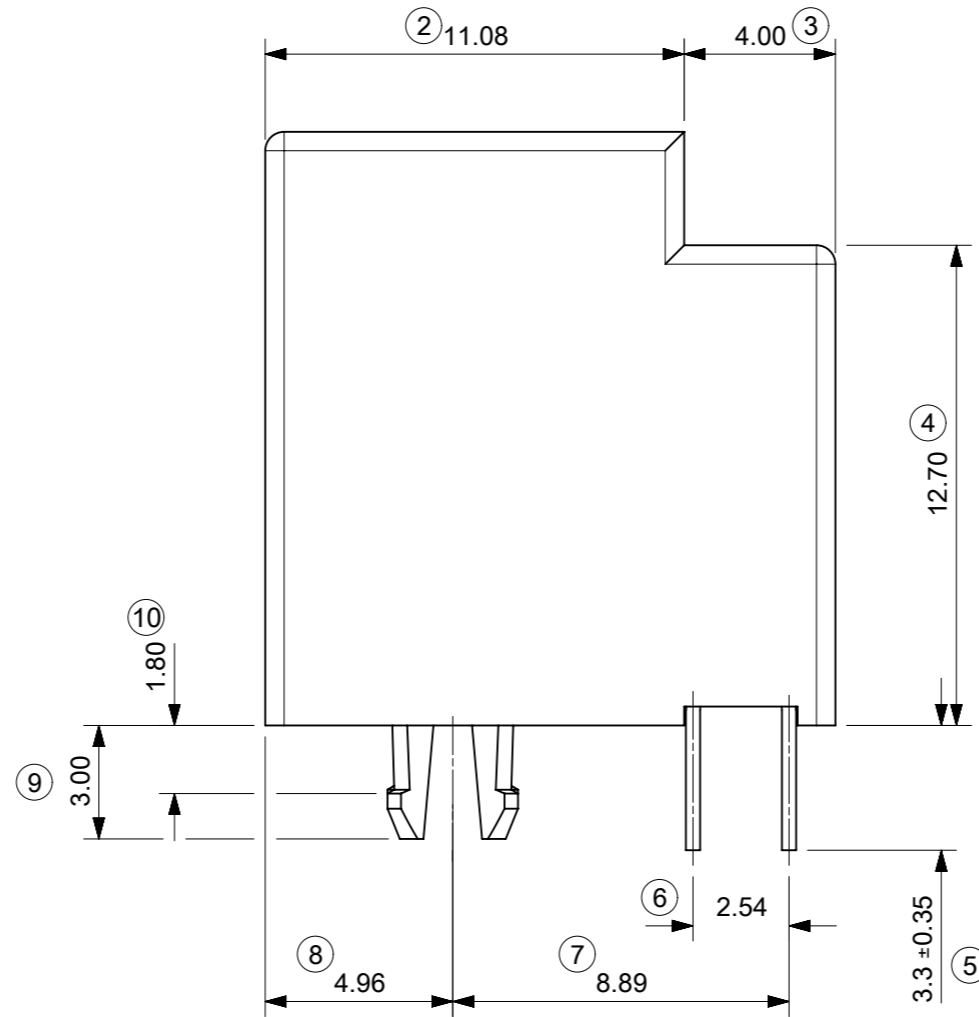
TECHNICAL SPECIFICATIONS:

- MATERIAL:**
HOUSING: LCP FIBER GLASS FILLED UL 94-V0 COLOUR: BLACK
TERMINAL: PHOSPHOR BRONZE
PLATING:
BASE FINISH: NICKEL
CONTACT SURFACE FINISH:
GOLD,
OR
GOLD FLASH OVER PALLADIUM NICKEL.
EXCEEDS PRODUCT REQUIREMENTS BASED ON PS-85506-001
- JACK FOR MATING WITH IEC 60603-7 AND TIA-1096-A PLUGS (90075 MOLEX SERIES).
- PRODUCT SPECIFICATION PS-85506-001
- MANUFACTURING I.D CAN BE MG, MXF, MXI OR MXCH.
- PACKAGING SPECIFICATION PK-95003 SHEET 1: (TRAY PACKAGING).
- EXCEEDS CATEGORY 5E PERFORMANCE.
- APPLICATION SPECIFICATION: AS-85513-001

LAST INSPECTION NO.: 14



PART NO.
85511-5001



P.C.B. MOUNTING PATTERN
(SEE FROM COMPONENT SIDE)
(SCALE 2:1)
ALL DIMENSIONS REF DIMENSIONS

THIS DRAWING CONTAINS INFORMATION THAT IS PROPRIETARY TO MOLEX ELECTRONIC TECHNOLOGIES, LLC AND SHOULD NOT BE USED WITHOUT WRITTEN PERMISSION									
DIMENSION UNITS	SCALE	CURRENT REV DESC: REMASTERED USING 3D MODELS							
mm	1:1								
GENERAL TOLERANCES (UNLESS SPECIFIED)									
ANGULAR TOL	± 0.5°	HIGH SPEED MODULAR JACK TOP ENTRY LOW PROFILE THROUGH HOLE 8 CKTS							
4 PLACES	±	PRODUCT CUSTOMER DRAWING							
3 PLACES	±	EC NO: 686839 DRWN: AKUMAR19 2021/08/04 CHK'D: KLANG 2022/01/12 APPR: KLANG 2022/01/12							
2 PLACES	± 0.15	DOCUMENT NUMBER							
1 PLACE	± 0.25	SD-85511-501							
0 PLACES	±	DOC TYPE DOC PART REVISION							
DRAFT WHERE APPLICABLE MUST REMAIN WITHIN DIMENSIONS		THIRD ANGLE PROJECTION		DRAWING	SERIES	MATERIAL NUMBER	CUSTOMER	SHEET NUMBER	
				A3-SIZE	85511	SEE CHART	GENERAL MARKET	1 OF 1	