

MATERIALS AND FINISHES:

SEE PSD-85305-0232

73415-6183	85305-0232, TAPE AND REEL WITH KAPTON TAPE	1K PER REEL	1K PER CARTON
73415-6182	85305-0232, TAPE AND REEL	1K PER REEL	1K PER CARTON
73415-6181	85305-0232, TAPE AND REEL WITH KAPTON TAPE	1K PER REEL	7K PER CARTON
73415-6180	85305-0232, ONE PER BAG	ONE PER BAG	500 PER CARTON
PART NO.	PACKAGING	QUANTITY	

A4	2019/11/26	ADD -6183 PER EWR #13478-A
REV	DATE	DESCRIPTION

THIS DRAWING CONTAINS INFORMATION THAT IS PROPRIETARY TO MOLEX ELECTRONIC TECHNOLOGIES, LLC AND SHOULD NOT BE USED WITHOUT WRITTEN PERMISSION

DIMENSION UNITS	SCALE	CURRENT REV DESC:		molex			
INCH/MM	NTS						
GENERAL TOLERANCES (UNLESS SPECIFIED)		EC NO: 628191		SMP, PLUG SMT LIMITED DETENT SMP-P/PCB			
ANGULAR TOL	± 2.0°	DRWN: RYEH 2019/11/26					
4 PLACES	±	CHK'D: YCHENG 2019/12/06		PRODUCT CUSTOMER DRAWING			
3 PLACES	±	APPR: YCHENG 2019/12/06					
2 PLACES	± 0.25	INITIAL REVISION:		DOCUMENT NUMBER SD-73415-618			
1 PLACE	±	DRWN: SSHAH 2007/05/11					
0 PLACES	±	APPR: JWIENER 2007/05/11		DOC TYPE PSD			
DRAFT WHERE APPLICABLE MUST REMAIN WITHIN DIMENSIONS		THIRD ANGLE PROJECTION					
				MATERIAL NUMBER SEE TABLE		CUSTOMER GENERAL MARKET	
				SHEET NUMBER 1 OF 1		REVISION A4	

DOCUMENT STATUS	P1	RELEASE DATE	2019/12/06 07:42:40
-----------------	----	--------------	---------------------

MATERIALS AND FINISHES:

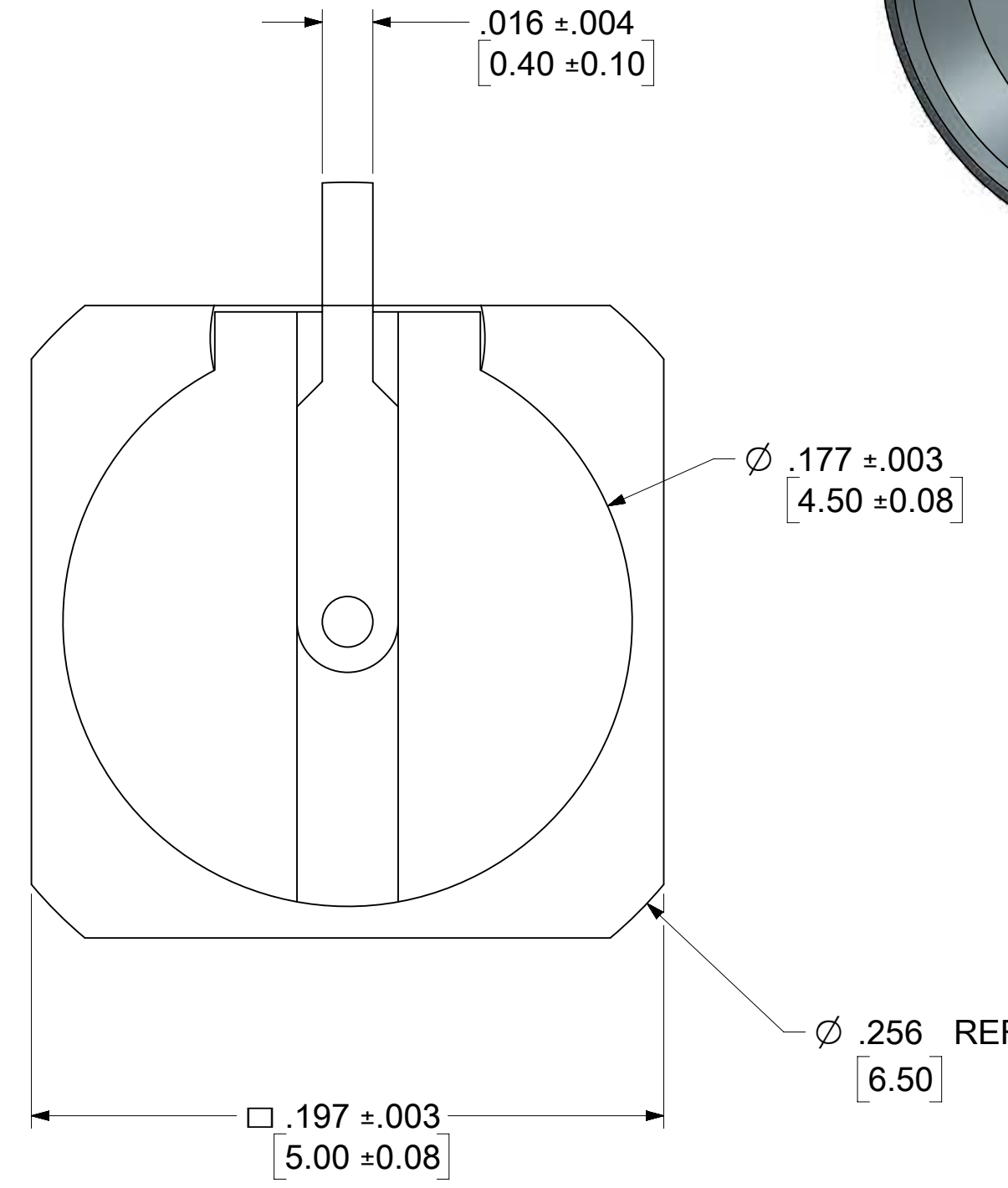
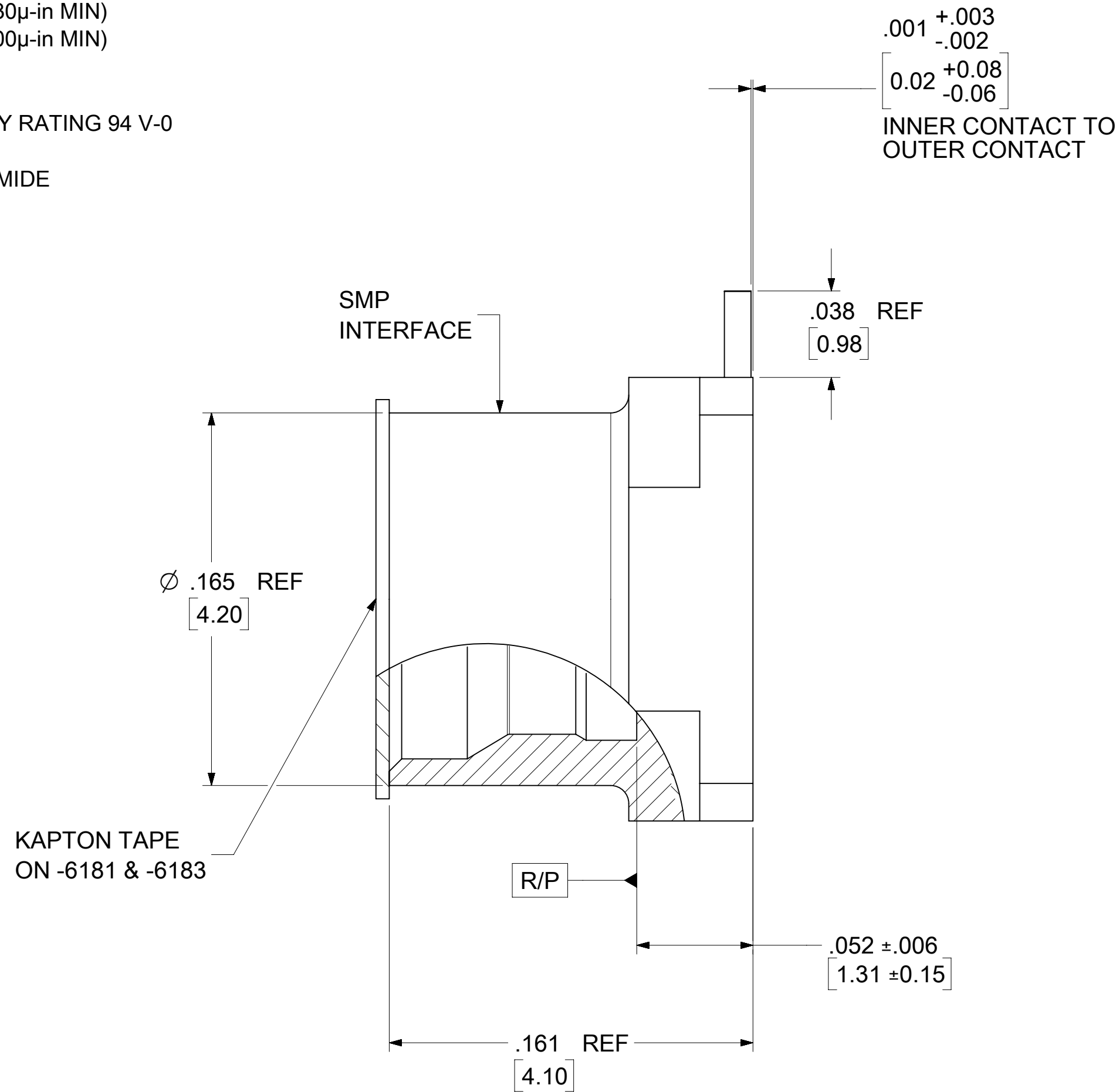
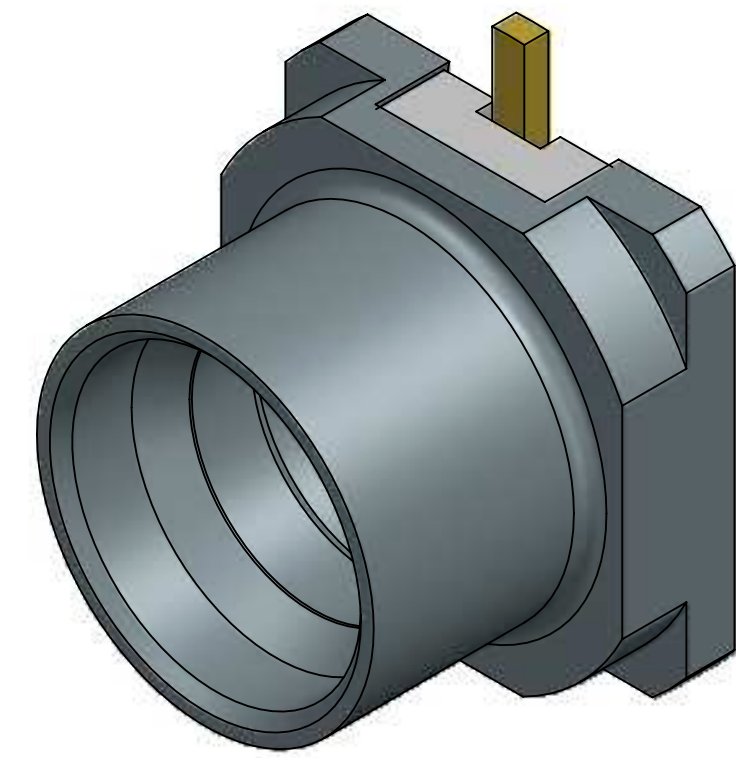
INNER & OUTER CONTACT: BRASS
 PLATED: GOLD (30µ-in MIN)
 OVER NICKEL (100µ-in MIN)

INSULATOR: LCP
 UL FLAMMABILITY RATING 94 V-0

KAPTON: POLYAMIDE
 COLOR: AMBER

TAPE: SHEET 3

REEL: SHEET 4



73415-6183	85305-0232, TAPE AND REEL WITH KAPTON TAPE	1K PER REEL	1K PER CARTON
73415-6182	85305-0232, TAPE AND REEL	1K PER REEL	1K PER CARTON
73415-6181	85305-0232, TAPE AND REEL WITH KAPTON TAPE	1K PER REEL	7K PER CARTON
73415-6180	85305-0232, ONE PER BAG	ONE PER BAG	500 PER CARTON
85305-0232	TAPE AND REEL	1K PER REEL	7K PER CARTON
PART NO.	PACKAGING	QUANTITY	

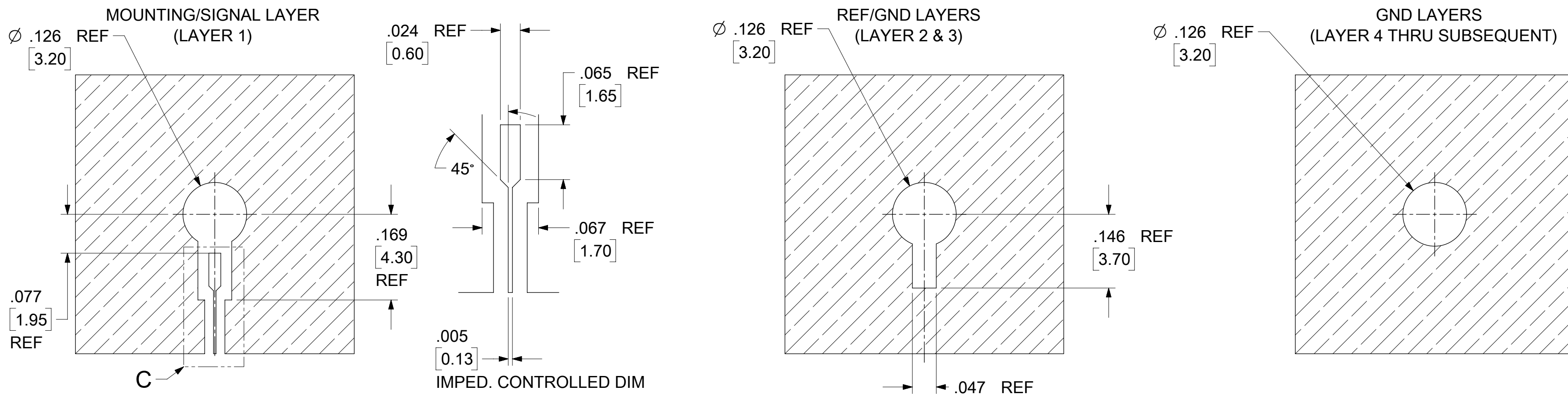
PS-89675-3320	PRODUCT SPECIFICATION
MIL-STD-248, FIG 326-3	INTERFACE, SMP, LIMITED DETENT
SPECIFICATION	DESCRIPTION

DOCUMENT STATUS	P1	RELEASE DATE	2021/05/28 20:09:50
-----------------	----	--------------	---------------------

FUNCTIONAL SYMBOLS $\frac{F}{A} = 0$ $\frac{F}{C} = 0$ $\frac{F}{P} = 0$ DIVISIONAL SYMBOLS	THIS DRAWING CONTAINS INFORMATION THAT IS PROPRIETARY TO MOLEX ELECTRONIC TECHNOLOGIES, LLC AND SHOULD NOT BE USED WITHOUT WRITTEN PERMISSION											
	DIMENSION UNITS		SCALE		CURRENT REV DESC:							
	INCH/MM		NTS		EC NO: 665073							
	GENERAL TOLERANCES (UNLESS SPECIFIED)				DRWN: BSHAH		2021/05/24		SMP, PLUG SMT		LIMITED DETENT SMP-P/PCB, EWR-11818	
				CHK'D: SSSHAH		2021/05/28		PRODUCT CUSTOMER DRAWING				
				APPR: JDEREN		2021/05/28		DOCUMENT NUMBER		DOC TYPE DOC PART REVISION		
				INITIAL REVISION:				SD-85305-0232		PSD 001 B17		
				DRWN: AROBERTSON		2005/07/29		MATERIAL NUMBER		CUSTOMER		
				APPR: JWIENER		2005/08/01		SEE TABLE		SHEET NUMBER		
				DRAFT WHERE APPLICABLE MUST REMAIN WITHIN DIMENSIONS		THIRD ANGLE PROJECTION		DRAWING		SERIES		
						C-SIZE		85305		1 OF 4		

PCB CONNECTOR LAUNCH / PAD (FOR REFERENCE ONLY)

ALL HATCHED SURFACES SHOWN BELOW ARE COPPER (Cu)



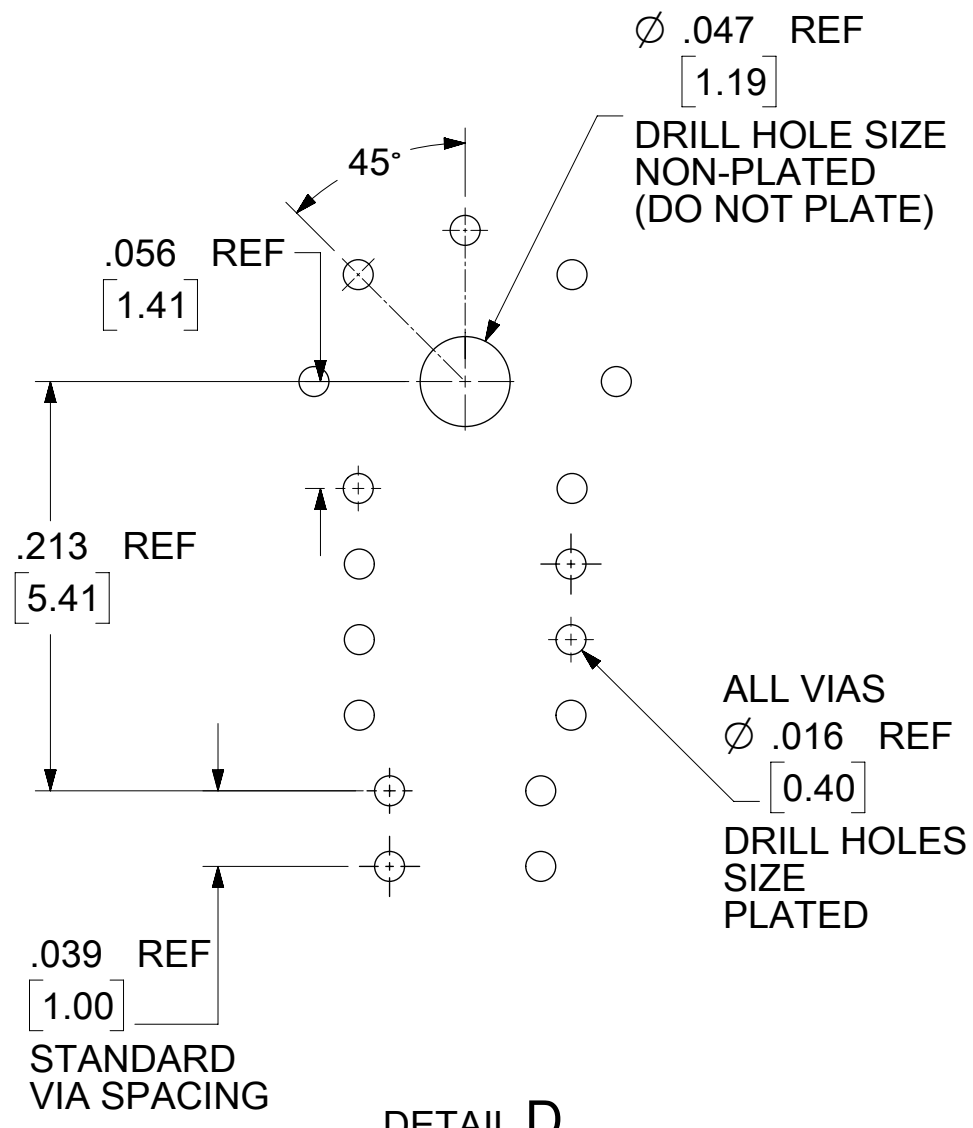
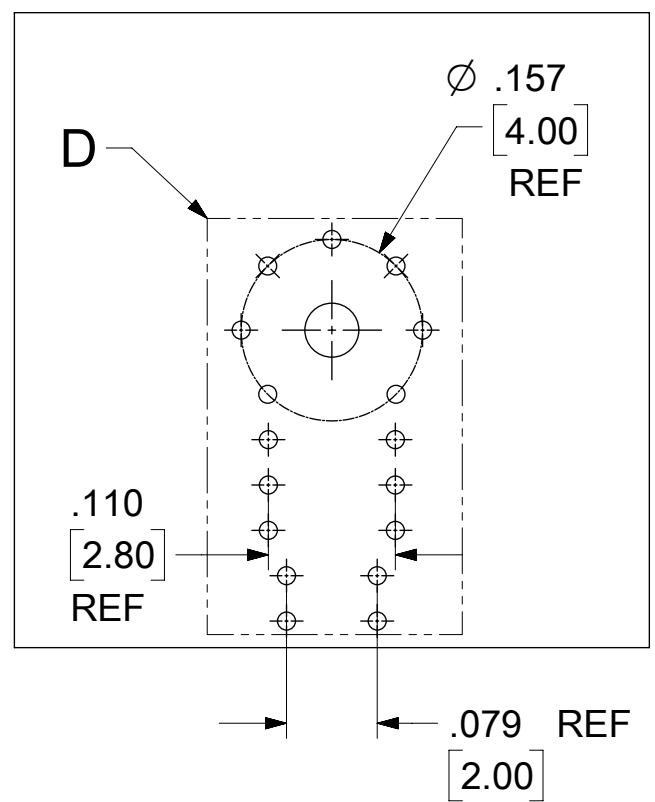
DETAIL C

PCB STACK UP

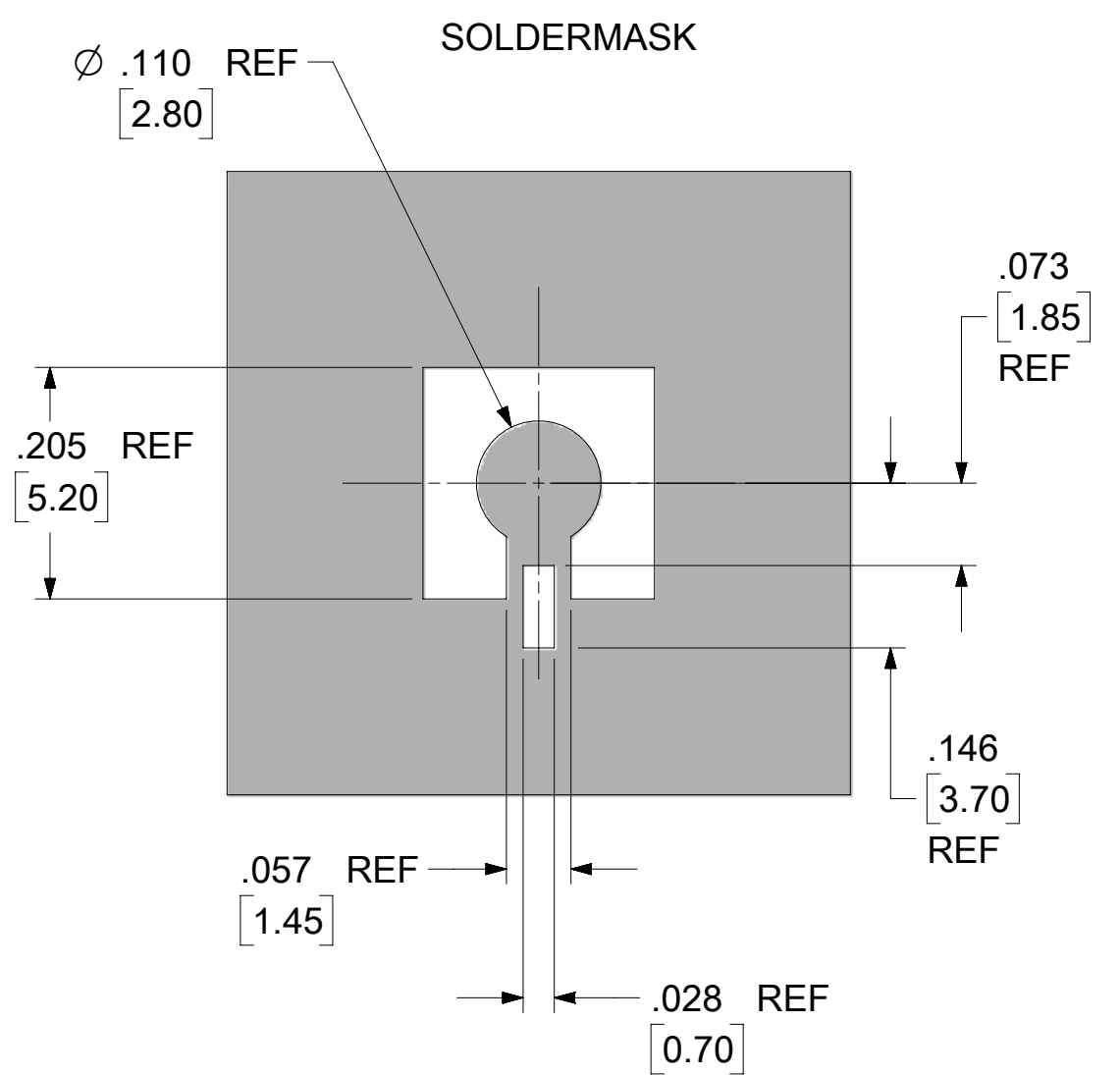
LAYER	MATERIAL	Dk	THICKNESS (MM)
1	1/2 oz. Cu + PLATING		0.0434
	ISOLA FR408	3.67	0.07
2	1/2 oz. Cu		0.018
	ISOLA FR408	3.67	0.1464
3	1/2 oz. Cu		0.018
	ISOLA FR408	3.67	0.6784
4*	1/2 oz. Cu		0.018

* SUBSEQUENT LAYERS MAY BE ADDED AS REQUIRED FOR INDIVIDUAL APPLICATIONS

VIAS AND THRU HOLES



DETAIL D



TYPICAL PERFORMANCE CHARACTERISTICS WITH CONNECTOR AND PCB LAUNCH SHOWN

Typical Return Loss	FREQUENCY BAND
20dB	DC TO 18GHz

VARYING PCB STACKUPS AND PCB LAUNCH WILL RESULT IN VARYING RESULTS

CONTACT MOLEX RF / MICROWAVE FOR APPLICATION SPECIFIC ASSISTANCE

FUNCTIONAL SYMBOLS	THIS DRAWING CONTAINS INFORMATION THAT IS PROPRIETARY TO MOLEX ELECTRONIC TECHNOLOGIES, LLC AND SHOULD NOT BE USED WITHOUT WRITTEN PERMISSION			
	DIMENSION UNITS	SCALE	CURRENT REV DESC:	
$F_A = 0$	INCH/MM	NTS		
$F_C = 0$	GENERAL TOLERANCES (UNLESS SPECIFIED)			EC NO: 665073 DRWN: BSHAH 2021/05/24 CHK'D: SSSHAH 2021/05/28 APPR: JDEREN 2021/05/28
$F_P = 0$		MM	INCH	
DIVISIONAL SYMBOLS	4 PLACES	±	±	INITIAL REVISION: DRWN: AROBERTSON 2005/07/29 APPR: JWIENER 2005/08/01
	3 PLACES	±	± 0.005	
	2 PLACES	±	± 0.13 ± 0.01	
	1 PLACE	±	± 0.25 ±	
	0 PLACES	±	±	DRWN: AROBERTSON 2005/07/29 APPR: JWIENER 2005/08/01
	ANGULAR TOL	±	± 2.0 °	THIRD ANGLE PROJECTION
	DRAFT WHERE APPLICABLE MUST REMAIN WITHIN DIMENSIONS			DRAWING SERIES: C-SIZE 85305

molex

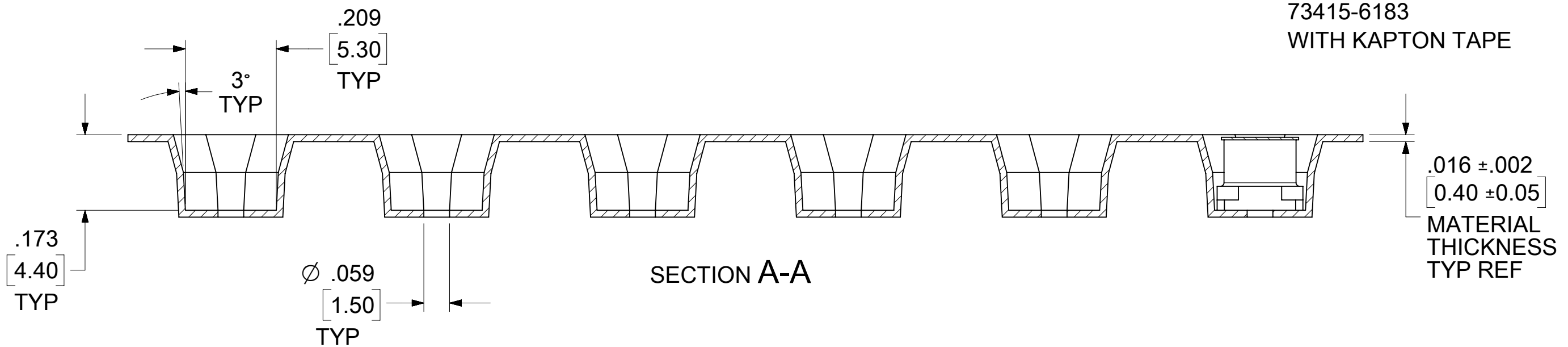
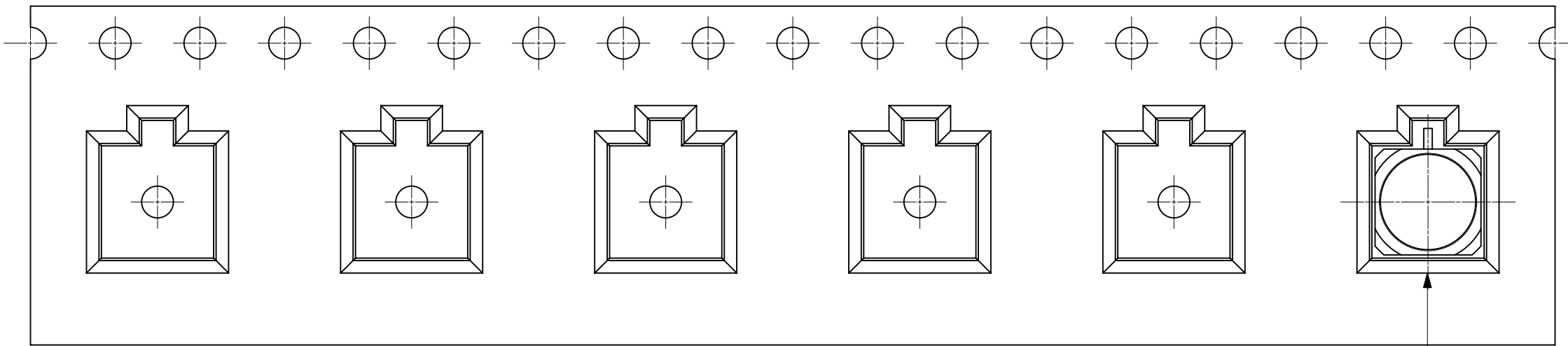
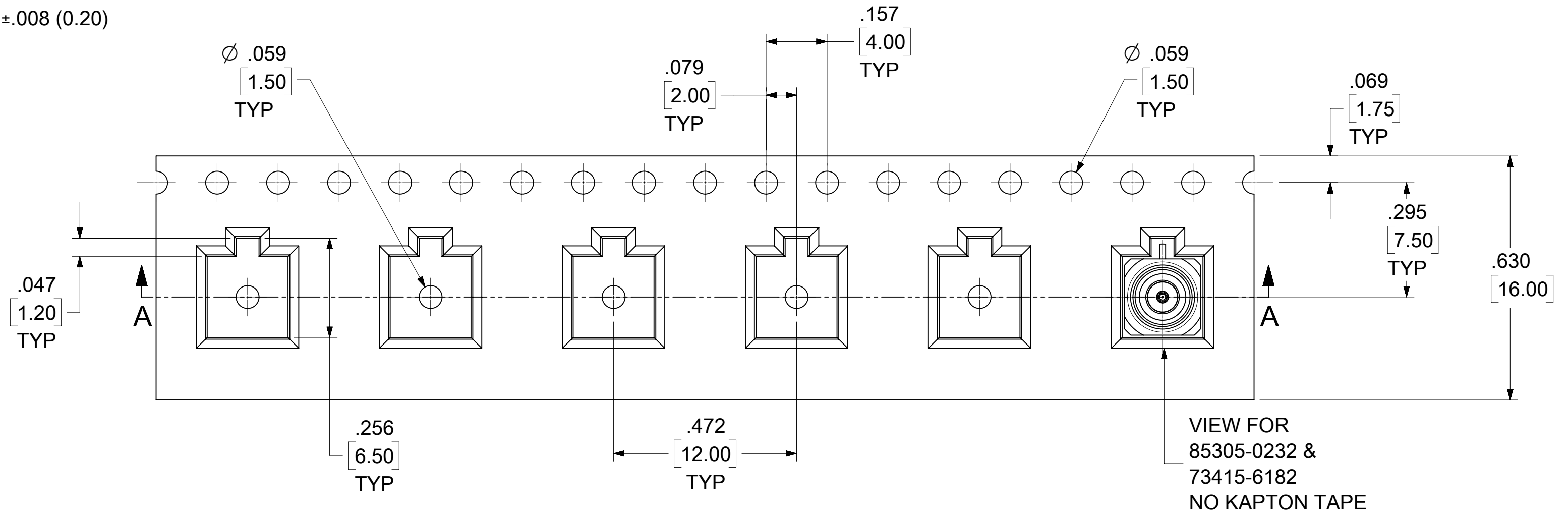
SMP, PLUG SMT
LIMITED DETENT SMP-P/PCB, EWR-11818

PRODUCT CUSTOMER DRAWING

DOCUMENT NUMBER: SD-85305-0232
DOC TYPE: PSD
DOC PART: 001
REVISION: B17

NOTE:

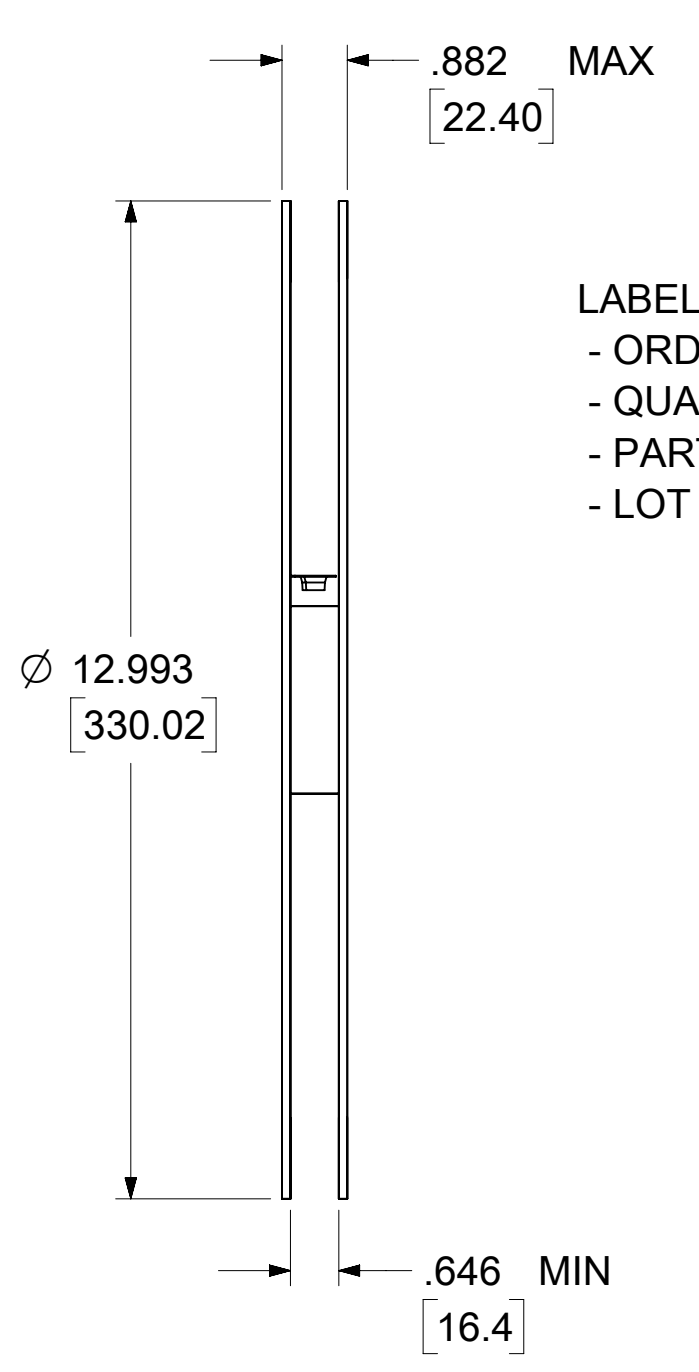
1. 10 PITCH CUMULATIVE TOLERANCE: ±.008 (0.20)



MATERIAL: POLYSTYRENE
COLOR: BLACK
.016 ±.002 [0.40 ±0.05] THICK

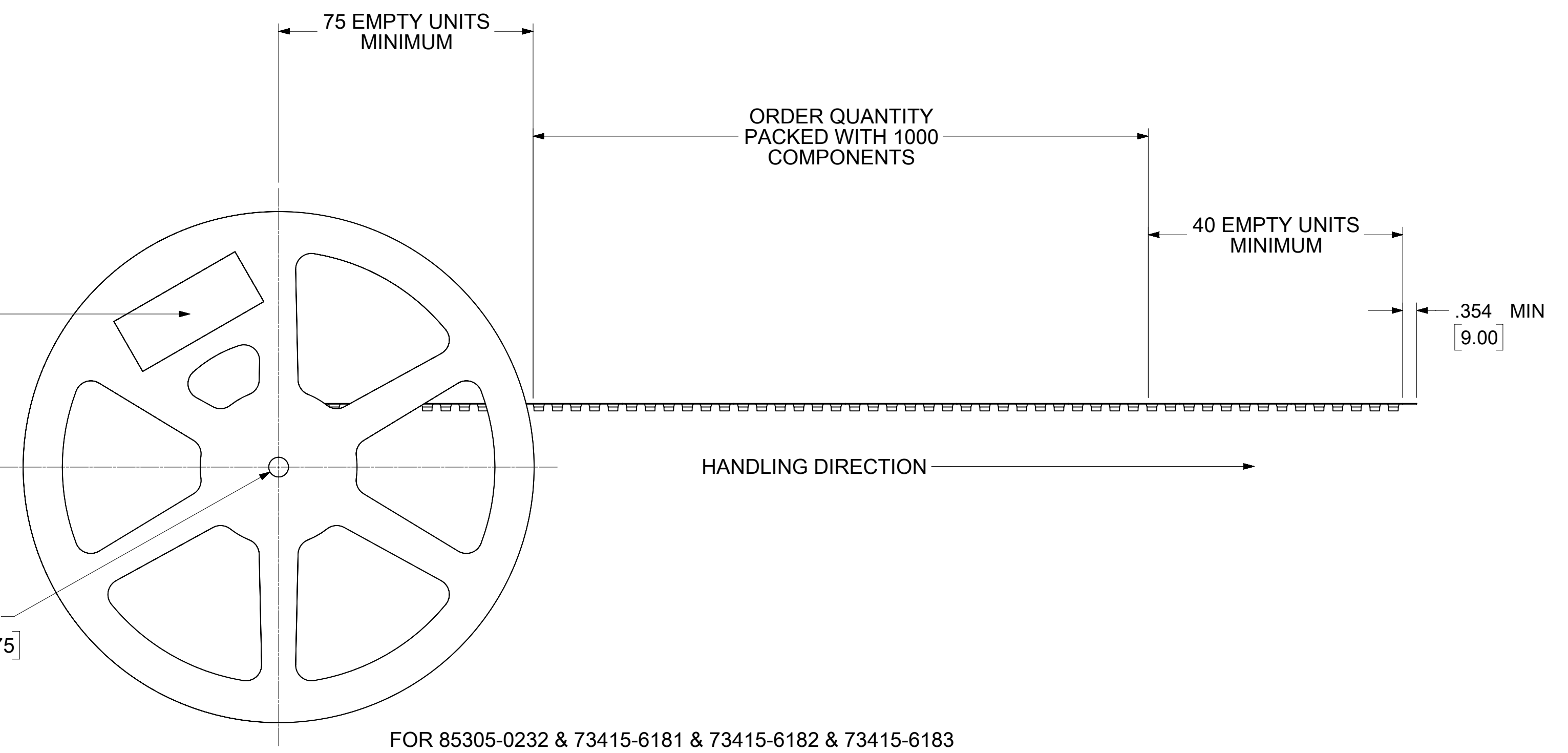
FUNCTIONAL SYMBOLS $\frac{F}{A} = 0$ $\frac{F}{C} = 0$ $\frac{F}{P} = 0$ DIVISIONAL SYMBOLS	THIS DRAWING CONTAINS INFORMATION THAT IS PROPRIETARY TO MOLEX ELECTRONIC TECHNOLOGIES, LLC AND SHOULD NOT BE USED WITHOUT WRITTEN PERMISSION		CURRENT REV DESC:		
	DIMENSION UNITS	SCALE	EC NO: 665073		
	INCH/MM	NTS	DRWN: BSHAH 2021/05/24		
	GENERAL TOLERANCES (UNLESS SPECIFIED)		CHK'D: SSSHAH 2021/05/28		
		MM	INCH	APPR: JDEREN 2021/05/28	PRODUCT CUSTOMER DRAWING DOCUMENT NUMBER: SD-85305-0232 DOC TYPE: PSD DOC PART: 001 REVISION: B17
		4 PLACES ±	±	INITIAL REVISION:	
		3 PLACES ±	± 0.005	DRWN: AROBERTSON 2005/07/29	MATERIAL NUMBER: SEE TABLE CUSTOMER: 85305 SHEET NUMBER: 3 OF 4
		2 PLACES ±	± 0.13 ± 0.01	APPR: JWIENER 2005/08/01	
		1 PLACE ±	± 0.25 ±	THIRD ANGLE PROJECTION	
		0 PLACES ±	±	DRAWING: C-SIZE	
		ANGULAR TOL ±	± 2.0 °	SERIES: 85305	
DRAFT WHERE APPLICABLE MUST REMAIN WITHIN DIMENSIONS					

DOCUMENT STATUS	P1	RELEASE DATE	2021/05/28	20:09:50
-----------------	----	--------------	------------	----------

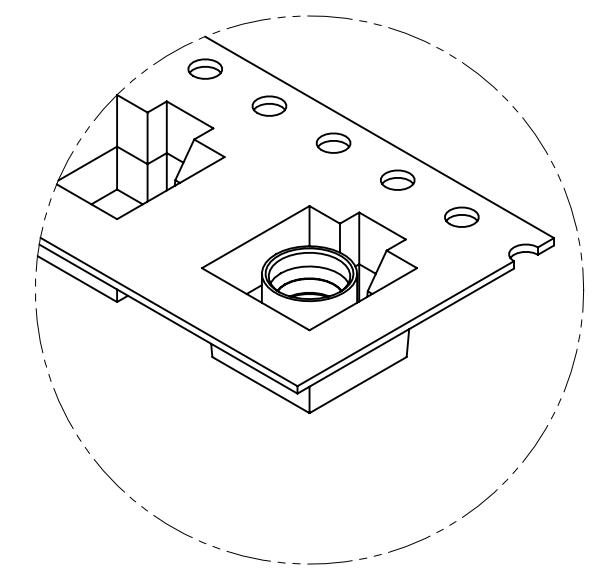
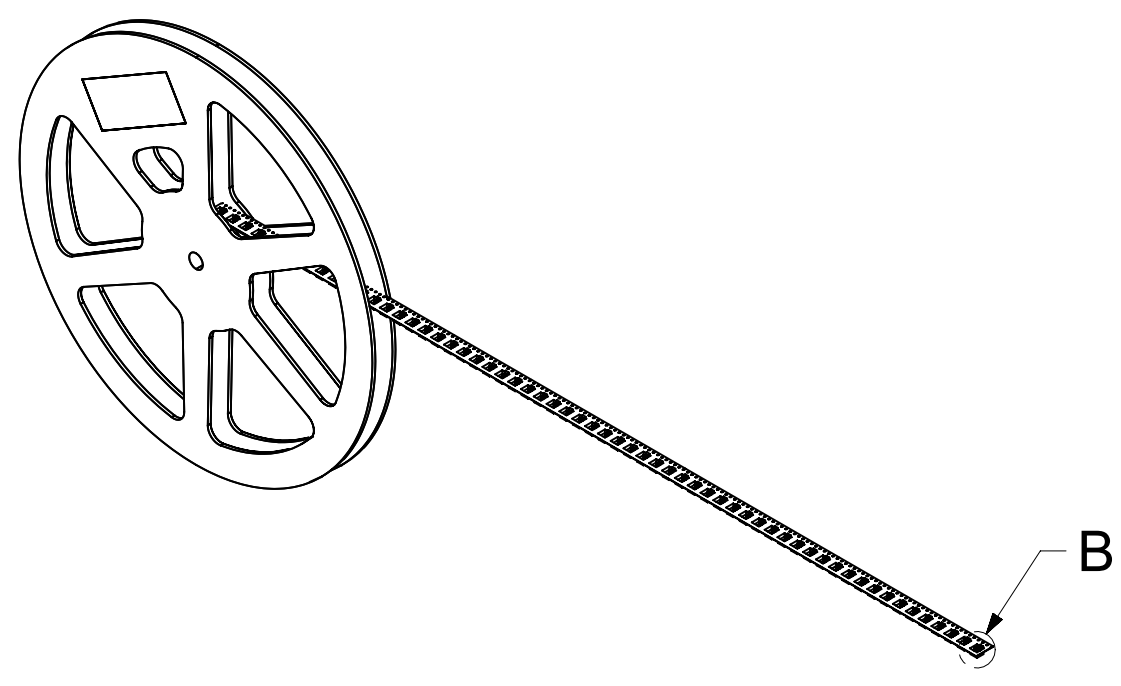


LABEL:
 - ORDER NO.
 - QUANTITY
 - PART NUMBER
 - LOT NUMBER

Ø .502
 [12.75]



FOR 85305-0232 & 73415-6181 & 73415-6182 & 73415-6183



DETAIL B
 SCALE 3:1

FUNCTIONAL SYMBOLS	THIS DRAWING CONTAINS INFORMATION THAT IS PROPRIETARY TO MOLEX ELECTRONIC TECHNOLOGIES, LLC AND SHOULD NOT BE USED WITHOUT WRITTEN PERMISSION													
	DIMENSION UNITS		SCALE		CURRENT REV DESC:									
$\frac{F}{A} = 0$	INCH/MM		NTS		EC NO: 665073 DRWN: BSHAH 2021/05/24 CHK'D: SSSHAH 2021/05/28 APPR: JDEREN 2021/05/28 INITIAL REVISION: DRWN: AROBERTSON 2005/07/29 APPR: JWIENER 2005/08/01									
$\frac{F}{C} = 0$	GENERAL TOLERANCES (UNLESS SPECIFIED)													
$\frac{F}{P} = 0$			MM	INCH										
DIVISIONAL SYMBOLS	4 PLACES	±	±											
	3 PLACES	±	±	0.005										
	2 PLACES	±	0.13	± 0.01										
	1 PLACE	±	0.25	±										
	0 PLACES	±		±										
	ANGULAR TOL		± 2.0 °		THIRD ANGLE PROJECTION									
DRAFT WHERE APPLICABLE MUST REMAIN WITHIN DIMENSIONS					DRAWING		SERIES		MATERIAL NUMBER		CUSTOMER		SHEET NUMBER	
					C-SIZE		85305		SEE TABLE				4 OF 4	

molex

SMP, PLUG SMT
 LIMITED DETENT SMP-P/PCB, EWR-11818

PRODUCT CUSTOMER DRAWING

DOCUMENT NUMBER: **SD-85305-0232**
 DOC TYPE: PSD
 DOC PART: 001
 REVISION: B17