

DESCRIPTION: M5 FEMALE - FRONT PANEL MOUNT - SOLDER CUP - 4 POSITION

NOTE:

MATERIAL

HOUSING: PBT UL94V-0, BLACK
 CONTACT: BRASS
 NUT: BRASS
 SHELL: BRASS
 O-RING: NBR, BLACK

FINISH

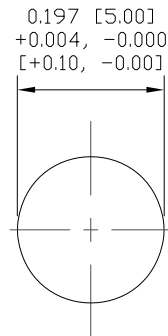
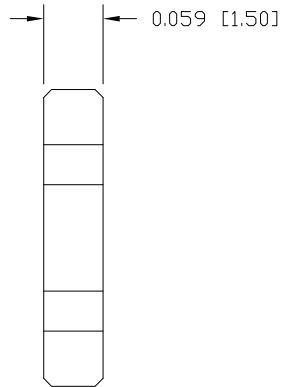
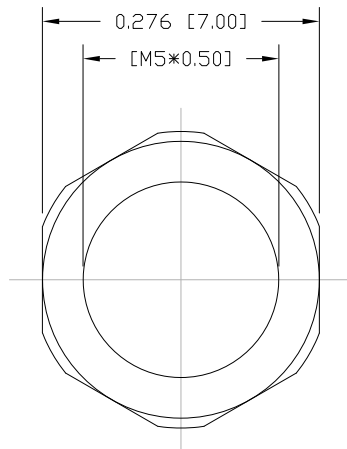
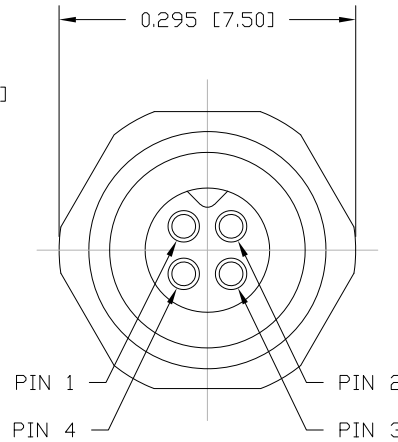
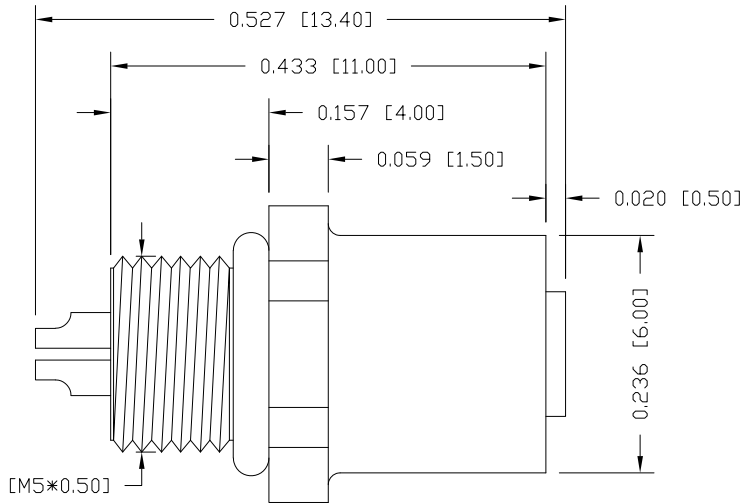
CONTACT: GOLD PLATED
 OVER 50µ" NICKEL
 NICKEL PLATED
 SHELL: NICKEL PLATED

ELECTRICAL

RATED CURRENT: 1A
 RATED VOLTAGE: 60V
 INSULATION RESISTANCE: 100 MΩhms MIN.
 CONTACT RESISTANCE: 10 mΩhms MAX.
 WATER PROOF: IP67

ENVIRONMENT

OPERATION TEMPERATURE: -40°C TO +85°C
 WIRE GAUGE: 28 AWG MAX RECOMMENDED

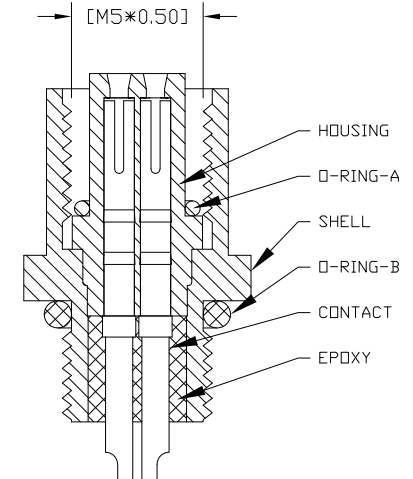


RECOMMEND PANEL CUT-OUT
 MAX. PANEL THICKNESS: 0.075" [2.00]

NUT

851-004-203R00Y

1 = GOLD FLASH
 4 = 10µ" GOLD



RoHS COMPLIANT

UNITS = inch [mm]

DO NOT SCALE FROM DRAWING



THESE DRAWINGS AND SPECIFICATIONS ARE THE PROPERTY OF NorComp AND SHALL NOT BE REPRODUCED, COPIED OR USED AS THE BASIS FOR THE MANUFACTURE OR SALE OF APPARATUS WITHOUT WRITTEN PERMISSION.

DRAWN:

M. SIGMON

DATE:

03-04-16

NorComp

SCALE:
NTS

SHEET OF
1 1

REV
6

DWG NO.

851-004-203R00Y