

THE INFORMATION CONTAINED IN THIS DRAWING IS THE SOLE PROPERTY OF BUD INDUSTRIES INC. ANY REPRODUCTION IN PART OR WHOLE WITHOUT THE WRITTEN PERMISSION OF BUD INDUSTRIES INC. IS PROHIBITED.

DWG. NO.	AN-2900
ISSUE	REVISIONS
(A)	UPDATED DRAWING 8-8-08 DAB

GASKETED COVER

SUPPLIED WITH (4)  
M4x.7 x .79" LG.  
FLAT HEAD MACHINE  
SCREWS TO ATTACH  
COVER TO BODY

BODY

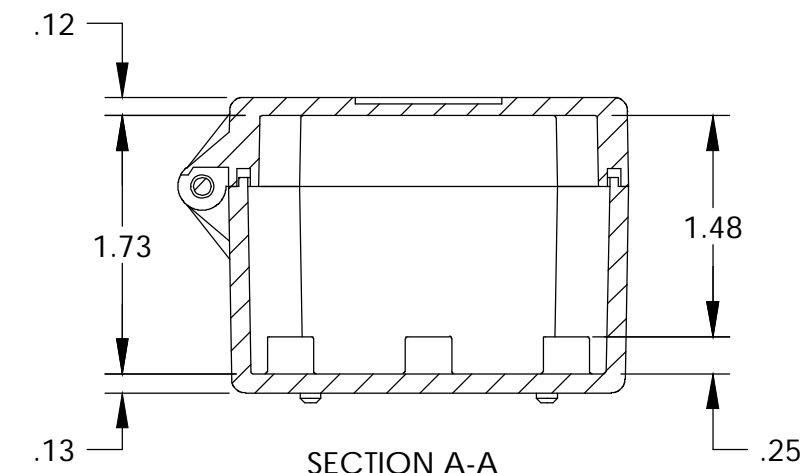
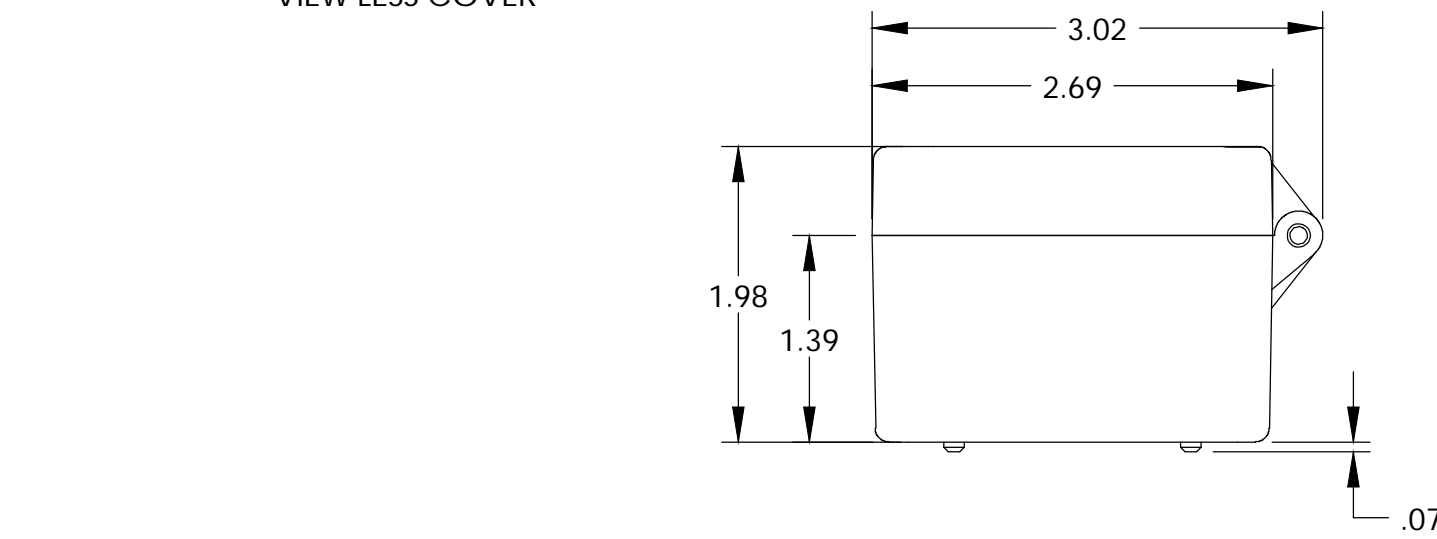
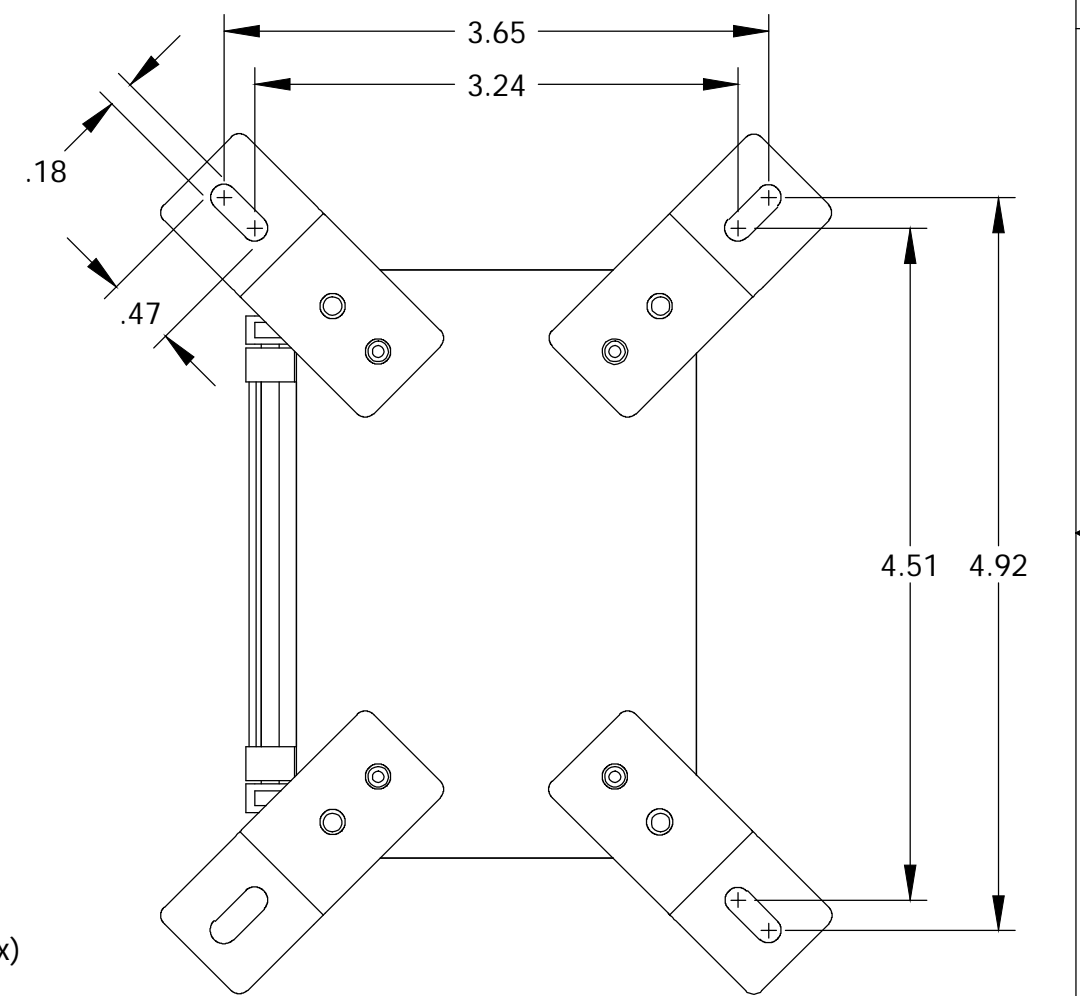
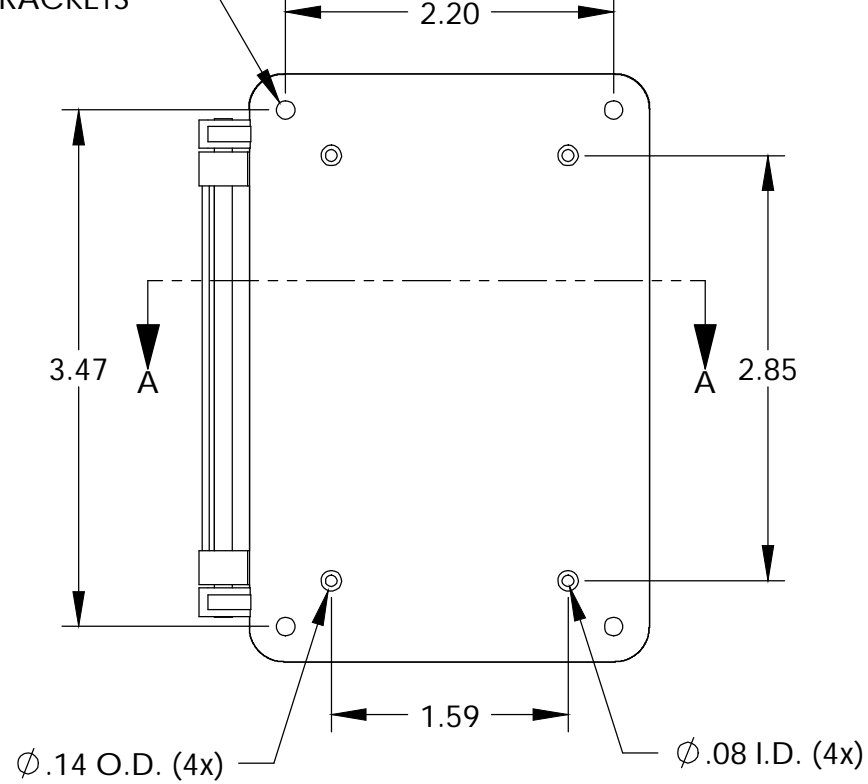
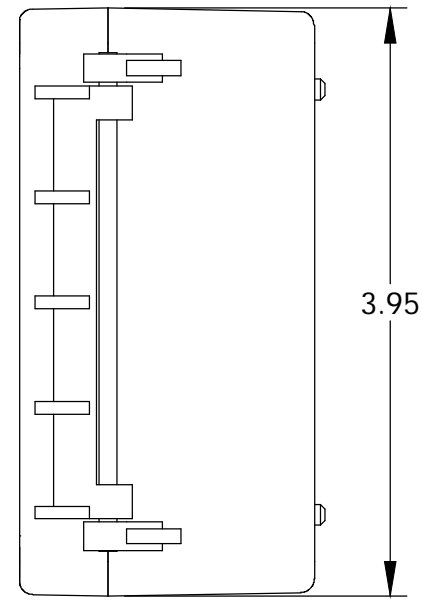
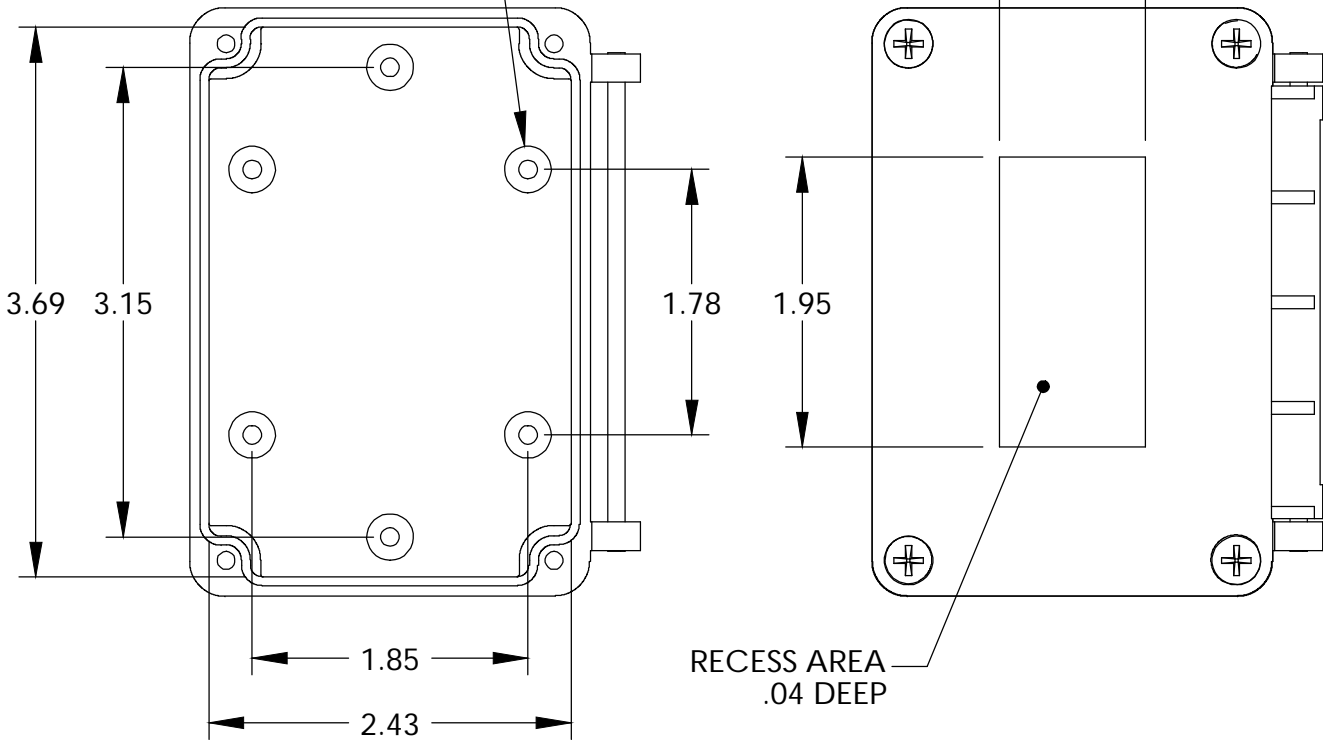
Ø.31 BOSS WITH  
M4x.7 TAPPED HOLE  
x .25 DEEP (6) PLACES

M4x.7 TAPPED HOLE  
.40 DEEP IN BODY  
(4) PLACES FOR WALL  
MOUNT BRACKETS

RECESS AREA  
.04 DEEP

REFERENCE SHOWN WITH MOUNTING BRACKETS  
ASSEMBLED (SHIPPED UNASSEMBLED AND  
SUPPLIED WITH M4x.7 x .33" LG. PAN HD. SCREWS)

MATERIAL: ALUMINUM ADC-12  
FINISH: SMOOTH BLACK POWDERCOAT



VIEW LESS COVER

SECTION A-A

PARTS LIST			
±.005 BETWEEN HOLE CENTERS	CAD GENERATED DRAWING.	<b>BUD INDUSTRIES INC.</b>	
±.015 FROM SHEARED EDGE	DO NOT MANUALLY UPDATE		
±.032 FROM A BENT SURFACE	APPROVALS	DATE	<b>NEMA HINGED BOX</b>
±.062 BETWEEN ASSEMBLED SURFACES	DRAWN	5/31/05	
UNLESS OTHERWISE SPECIFIED	CHECKED		
MATERIAL	AS NOTED	APPROVED	
FINISH	AS NOTED		
QTY.	USED ON	DO NOT SCALE DRAWING	SCALE
			DWG. NO. AN-2900
			REV.
			CAD FILE: SHEET 1 OF 1