



PART NAME

PIP SERIES - PC 10% FIBERGLASS BOX

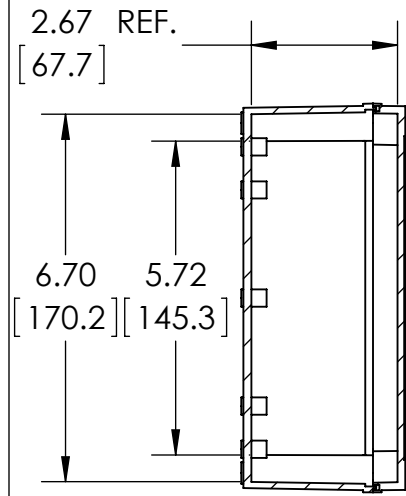
PART No.

PIP-11775

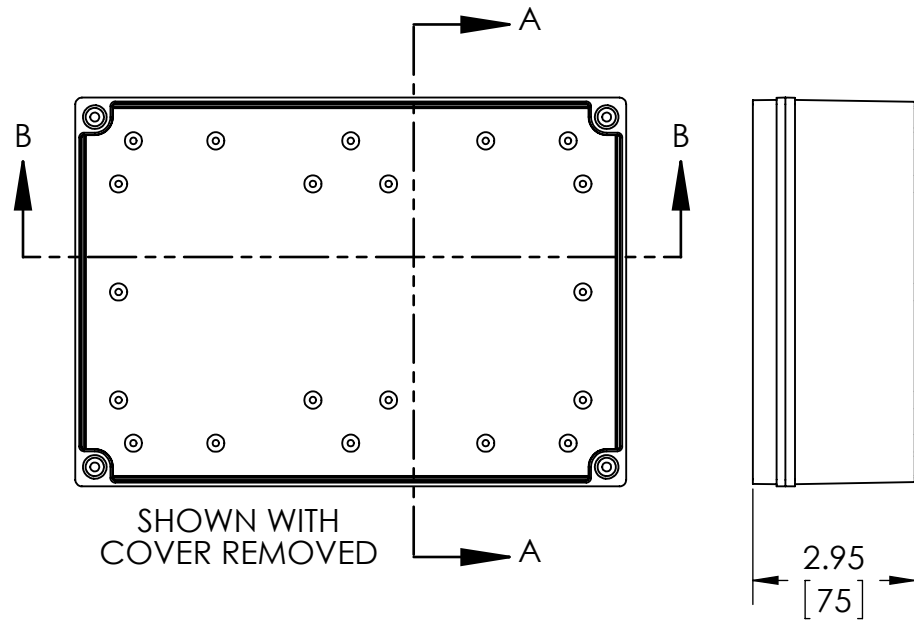
PIP-11775-C

REVISION DATE

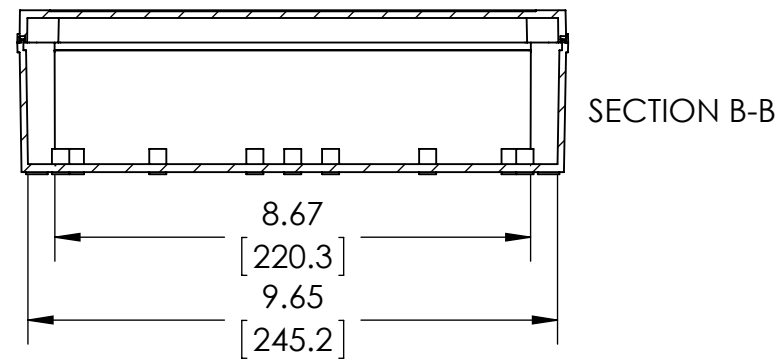
12-3-15



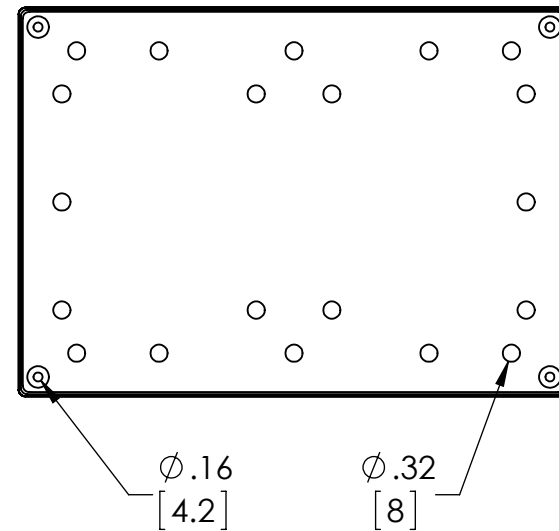
SECTION A-A



SHOWN WITH COVER REMOVED



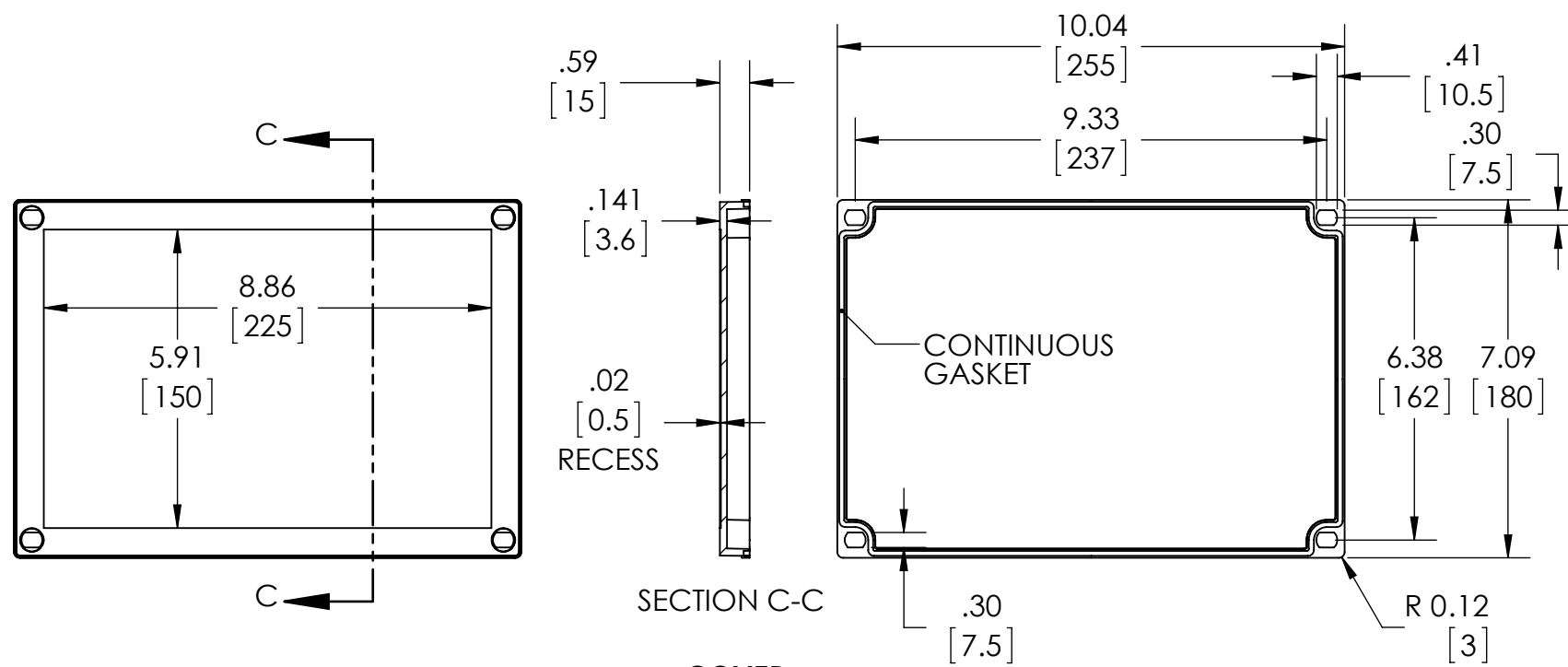
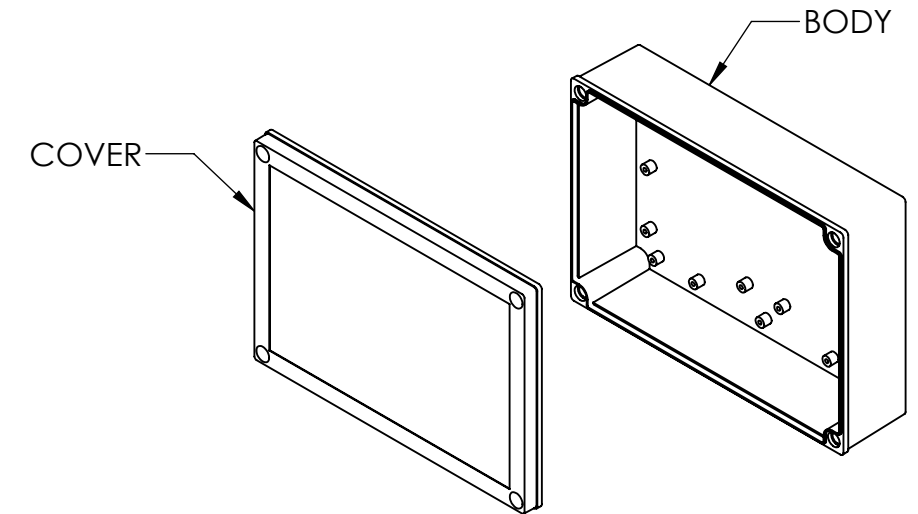
SECTION B-B



ASSEMBLY

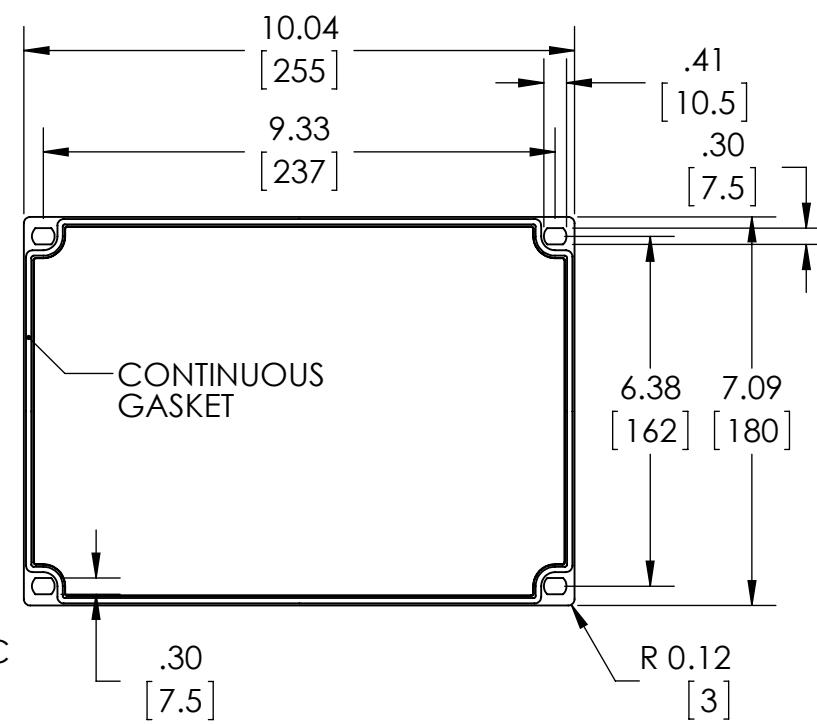
NOTES:

- 1- MATERIAL: BODY - POLYCARBONATE 10% FIBERGLASS REINFORCED
COVER - POLYCARBONATE
UL508 /NEMA TYPE 4X WITH IP-67 TUV RATING & UL-94V0 RATING
- 2- FINISH: BODY - LIGHT GRAY
COVER - LIGHT GRAY OR CLEAR (-C)
- 3- SUPPLIED WITH FOUR NON-METALLIC CAPTIVE SCREWS FOR COVER MOUNTING
- 4- CONTINUOUS GASKET IN COVER
- 5- SUPPLIED WITH FOUR M4 x 8mm LG. TRUSS HEAD MACHINE SCREWS
- 6- DIMENSIONS ARE INCH [MM]
- 7- DRAWING FOR REFERENCE
- 8- OPTIONAL ACCESSORIES:
INTERNAL STEEL PANEL - #PIX-11775
MOUNTING BRACKET KIT (STAINLESS STEEL) - #NBX-10922
MOUNTING BRACKET KIT (PLASTIC) - #PIX-4117

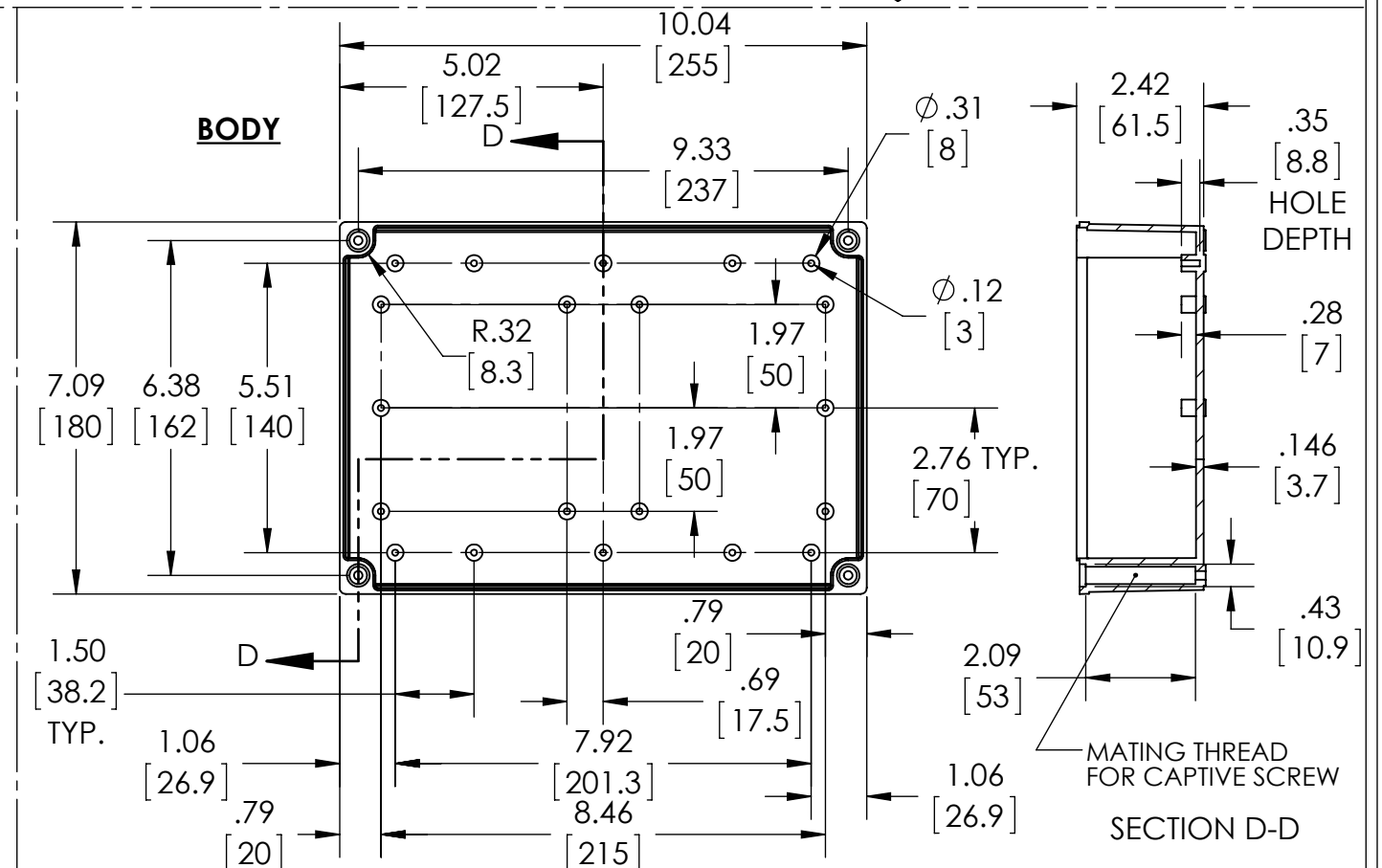


SECTION C-C

COVER



CONTINUOUS GASKET



BODY

MATING THREAD FOR CAPTIVE SCREW

SECTION D-D