

NOTE:

MATERIAL

HOUSING: PBT UL94V-0, BLACK  
 CONTACT: BRASS  
 NUT: BRASS  
 O-RING: EPDM

FINISH

CONTACT: GOLD PLATED  
 OVER 50u" NICKEL  
 NICKEL PLATED

ELECTRICAL

RATED CURRENT: 1.5A  
 RATED VOLTAGE: 30V  
 INSULATION RESISTANCE: 100 MΩhms MIN.  
 CONTACT RESISTANCE: 10 mΩhms MAX.  
 WATER PROOF: IP67

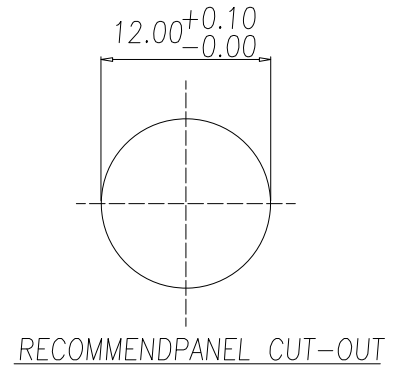
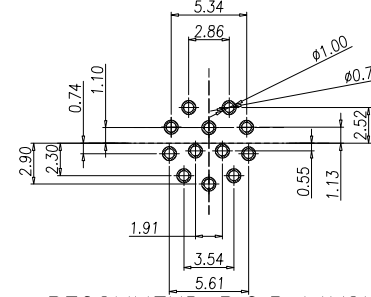
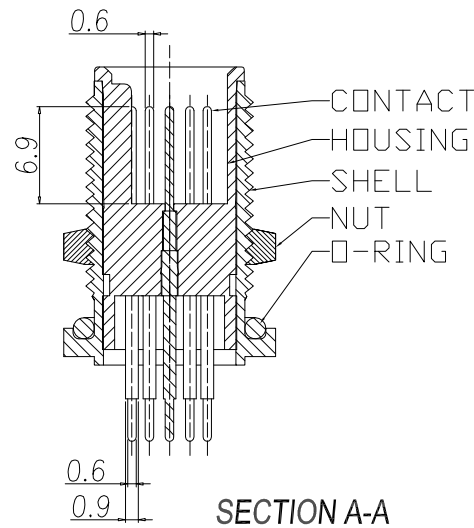
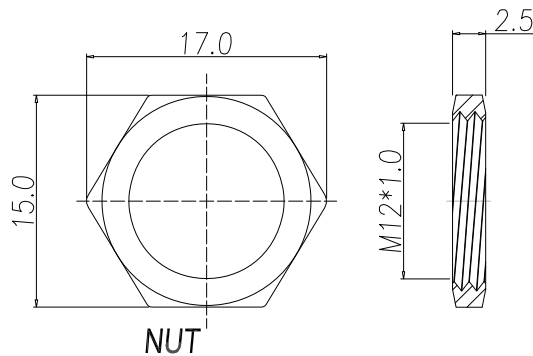
ENVIRONMENT

OPERATION TEMPERATURE: -40°C TO +85°C

860-012-113R00Y

3 = BRASS/NICKEL SHELL & NUT  
 S = STAINLESS STEEL SHELL & NUT

1 = GOLD FLASH  
 4 = 10u" GOLD



RoHS COMPLIANT

UNITS = mm

DO NOT SCALE FROM DRAWING



THESE DRAWINGS AND SPECIFICATIONS ARE THE PROPERTY OF NorComp AND SHALL NOT BE REPRODUCED, COPIED OR USED AS THE BASIS FOR THE MANUFACTURE OR SALE OF APPARATUS WITHOUT WRITTEN PERMISSION.

DRAWN:

M. SIGMON

DATE:

03-08-16

NorComp

SCALE: NTS

SHEET 1 OF 1

REV 6

DWG NO.

860-012-113R00Y