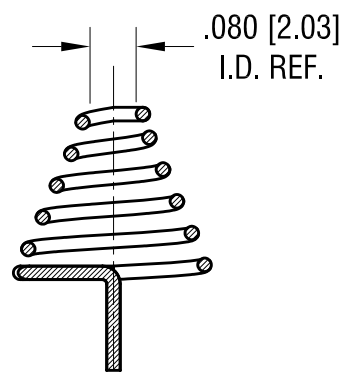
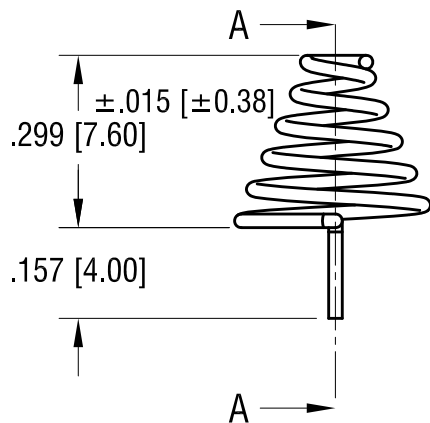
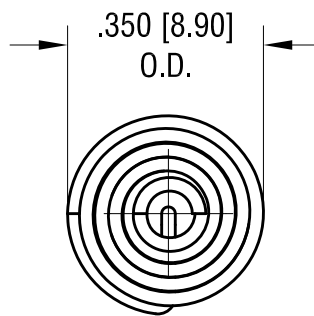


THIS DOCUMENT IS THE PROPERTY OF  
KEYSTONE ELECTRONICS CORP. AND  
SHALL NOT BE REPRODUCED, DISTRIBUTED  
OR USED AS A BASIS FOR MANUFACTURE  
WITHOUT PRIOR WRITTEN PERMISSION  
FROM KEYSTONE ELECTRONICS CORP.

ACTUAL SIZE



SECTION A-A

**NOTE:**

1. BURR NOT TO EXCEED .005 [0.13]

**KEYSTONE ELECTRONICS CORP.**

www.keyelco.com • NEW HYDE PARK NY 11040 • Tel (516)328-7500

PART NAME

SPRING CONTACT FOR 'AA'

MATERIAL

.024 [0.60] DIA. MUSIC WIRE

FINISH

NICKEL PLATE

DRN BY

NT

DATE

4.05.16

APP'D

LN

SCALE

3X

TOLERANCES

INCH [MM]  
DECIMAL ± .010 [± 0.25 ]

CODE

C

DWG NO.

240

ANGULAR ± 1°  
UNLESS OTHERWISE SPECIFIED

DATE	DESCRIPTION	REV.