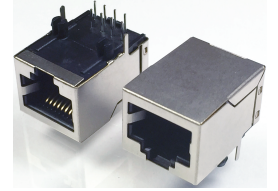


RJ45 Jack, Right Angle, Tab Down, Shielded, 8P8C

ARJ012-110553

RoHS/RoHS II Compliant



15.88 x 13.45 x 21.27mm

FEATURES:

- 8P8C standard DIP Jack
- Compliant with IEEE802.3 standard
- High performance for maximum EMI suppression
- High reliability 750 mating/unmating cycles

APPLICATIONS:

- Designed for most leading PHY IC manufacturers such as Broadcom, Marvell, Microsemi.
- Side entry with wide temperature range(-40°C~85°C)
- Applicable for Ethernet Switch, Servers, & Access Point Routers

STANDARD SPECIFICATIONS

Operating temperature range: -40°C to +85°C Storage temperature range: -40°C to +85°C

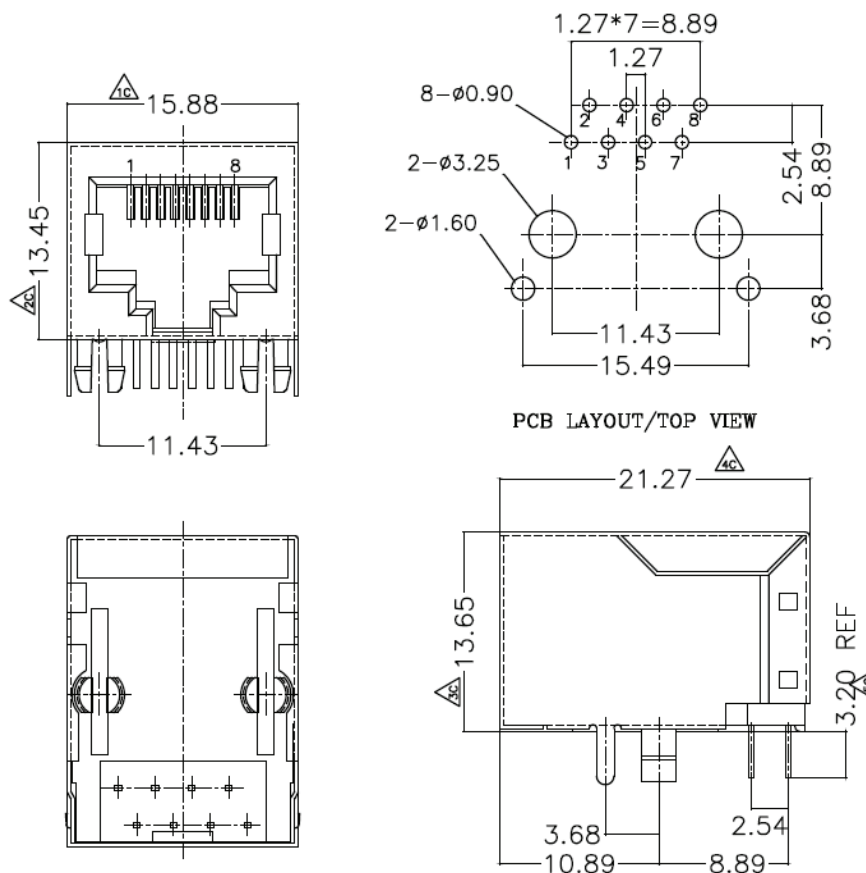
Standard Electrical Specifications

Voltage Rating: 125 Vac RMS
Current Rating: 1.5 Amp
Contact Resistance: 40 mΩ Max
Insulation resistance: 1000 MΩ Min @500 Vdc
Dielectric strength: 1000Vac RMS @50 or 60Hz, 1Min

Standard Mechanical Specifications

Mating/Unmating force: 2.2kgF max
Retention strength: 7.7kgF min between jack and plug
Operating life: 750 cycles min

MECHANICAL DIMENSIONS



Dimensions: mm

ABRACON IS
ISO 9001:2008
CERTIFIED

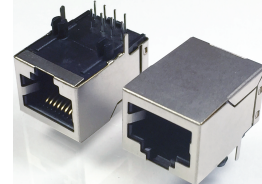
 **ABRACON**[®]
The Power of Linking Together LLC

2 Faraday, Suite# B | Irvine | CA 92618 Revised: 11.17.15
Ph. 949.546.8000 | Fax. 949.546.8001
Visit www.abracon.com for Terms and Conditions of Sale

RJ45 Jack, Right Angle, Tab Down, Shielded, 8P8C

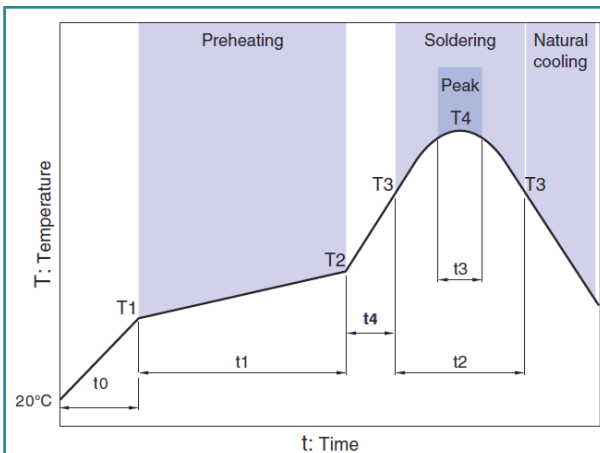
ARJ012-110553

RoHS/RoHS II Compliant



15.88 x 13.45 x 21.27mm

DIP WAVE SOLDERING CURVE



| Profile Feature | Pb-Free Assembly |
|--|------------------------|
| Preheat | |
| -Temperature Min | 100°C |
| -Temperature Max | 200°C |
| -Time (min to max) | 60-120 seconds |
| Time maintained above: | |
| -Temperature | 200°C |
| -Time | 30 seconds |
| Peak/Classification Temperature | 230±5°C |
| Time within 230±5°C of actual Peak Temperature | 5 seconds |
| Time 25°C to Peak Temperature | 4 minutes 30 sec. max. |

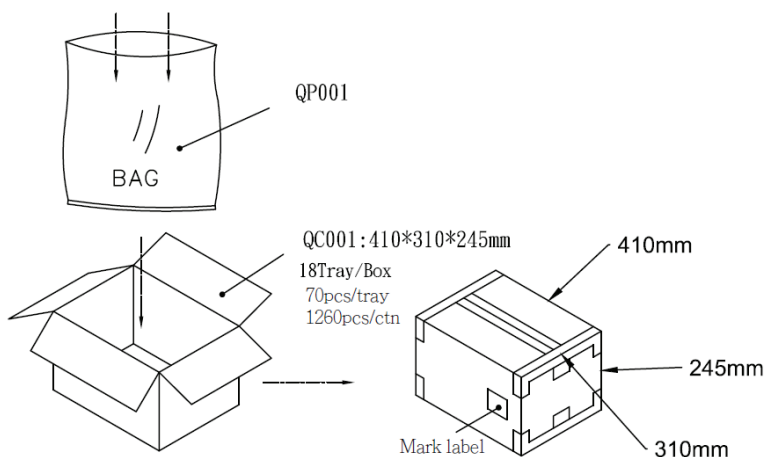
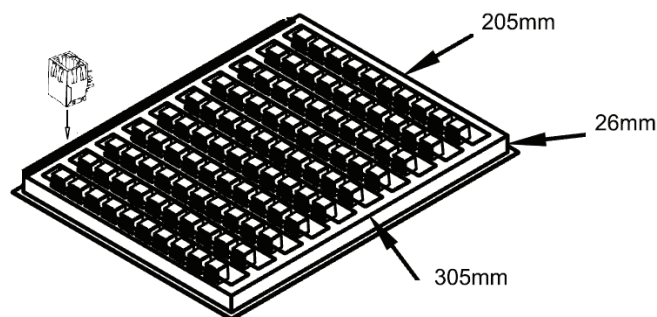
| Preheating | | | | Soldering | | | | Peak | |
|------------|-------|-----------|------------|-----------|-------|-----|-------|------|------|
| Temp. | T2 | t0 | t1 | Temp. | T2 | t2 | T4 | t3 | Time |
| 100°C | 150°C | 30 to 60s | 30 to 120s | 30 to 60s | 200°C | 30s | 230°C | 5s | |

PACKAGING:

Packing: (70pcs/tray) **MOQ:** 560pcs
Weight: 5.80 grams/pcs

Packaging material: PET

Outer carton unit(optional):1260pcs/ 18trays/box,
Gross Weight: 9.2kg



Dimensions: mm

ATTENTION: Abracon Corporation's products are COTS – Commercial-Off-The-Shelf products; suitable for Commercial, Industrial and, where designated, Automotive Applications. Abracon's products are not specifically designed for Military, Aviation, Aerospace, Life-dependant Medical applications or any application requiring high reliability where component failure could result in loss of life and/or property. For applications requiring high reliability and/or presenting an extreme operating environment, written consent and authorization from Abracon Corporation is required. Please contact Abracon Corporation for more information.

ABRACON IS
 ISO 9001:2008
 CERTIFIED



2 Faraday, Suite# B | Irvine | CA 92618 **Revised: 11.17.15**
 Ph. 949.546.8000 | Fax. 949.546.8001
 Visit www.abracon.com for Terms and Conditions of Sale