

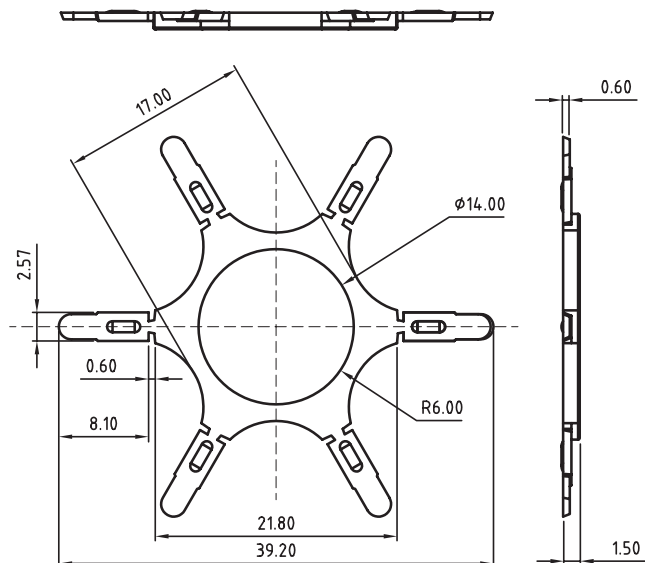
1

2

3

4

5



TECHNICAL CHARACTERISTICS

MATERIAL
INSULATOR: PA 66
FLAMABILITY RATING: UL94-V0
COLOR: RED

ENVIRONMENTAL
OPERATING TEMPERATURE: -40 UP TO 105°C
COMPLIANCE: LEAD FREE AND ROHS

MECHANICAL
APPLICABLE PITCH: 3.50 / 3.81MM

PACKAGING: BOX

INSTRUCTION FOR USE

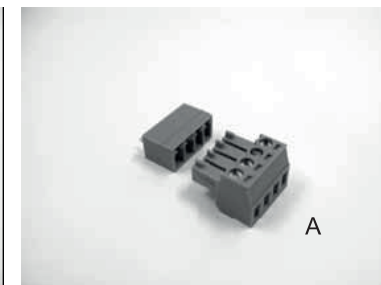
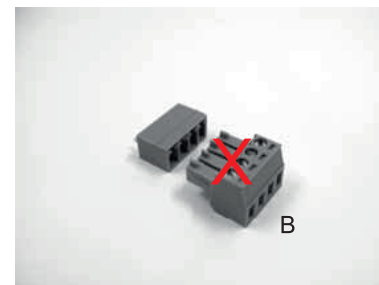
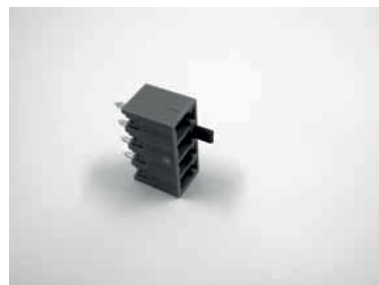
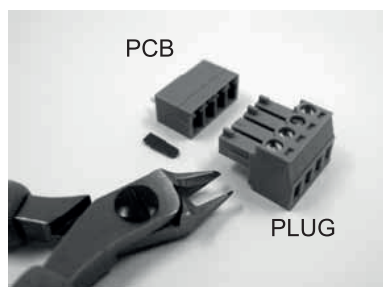
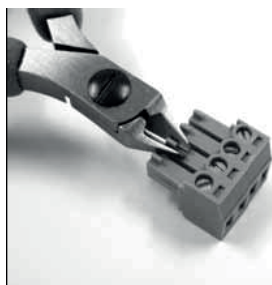
By using a coding key you avoid any risk of mis-plugging

For this you must add/break one part of the 691 399 900 003 in the PCB connector.

To cut the plug's nose on the corresponding pin n° makes the connection possible (see photo A)

Without cutting the plug's nose on the corresponding pin n° the connection becomes impossible (see photo B)

Please use recommended cut plier 600 691 000 001 for an razor cutting



RoHS Compliant

G				PROJECTION: 	GENERAL TOLERANCE .X = +/- 0.2 .XX = +/- 0.15	
F						
E						
D						
C				APPROVAL: RJ	UNIT: MM	DESCRIPTION: CODING KEY FOR 3.50 & 3.81MM PITCH SERIES WR-TBL
B	18-JUL-13	CODING	QL		SCALE:	
A	05-NOV-08	PDF	JP		SHEET: 1/1	WERI PART NO: 691 399 900 003
REV	DATE	FILE	BY		DRAW: MARVIN	

SIZE

A4