

MATERIALS AND FINISHES:

SMA JACK
 BODY, FERRULE: BRASS
 PLATED: SEE TABLE

CENTER CONTACT: BERYLLIUM COPPER
 PLATED GOLD

INSULATOR: TEFLON

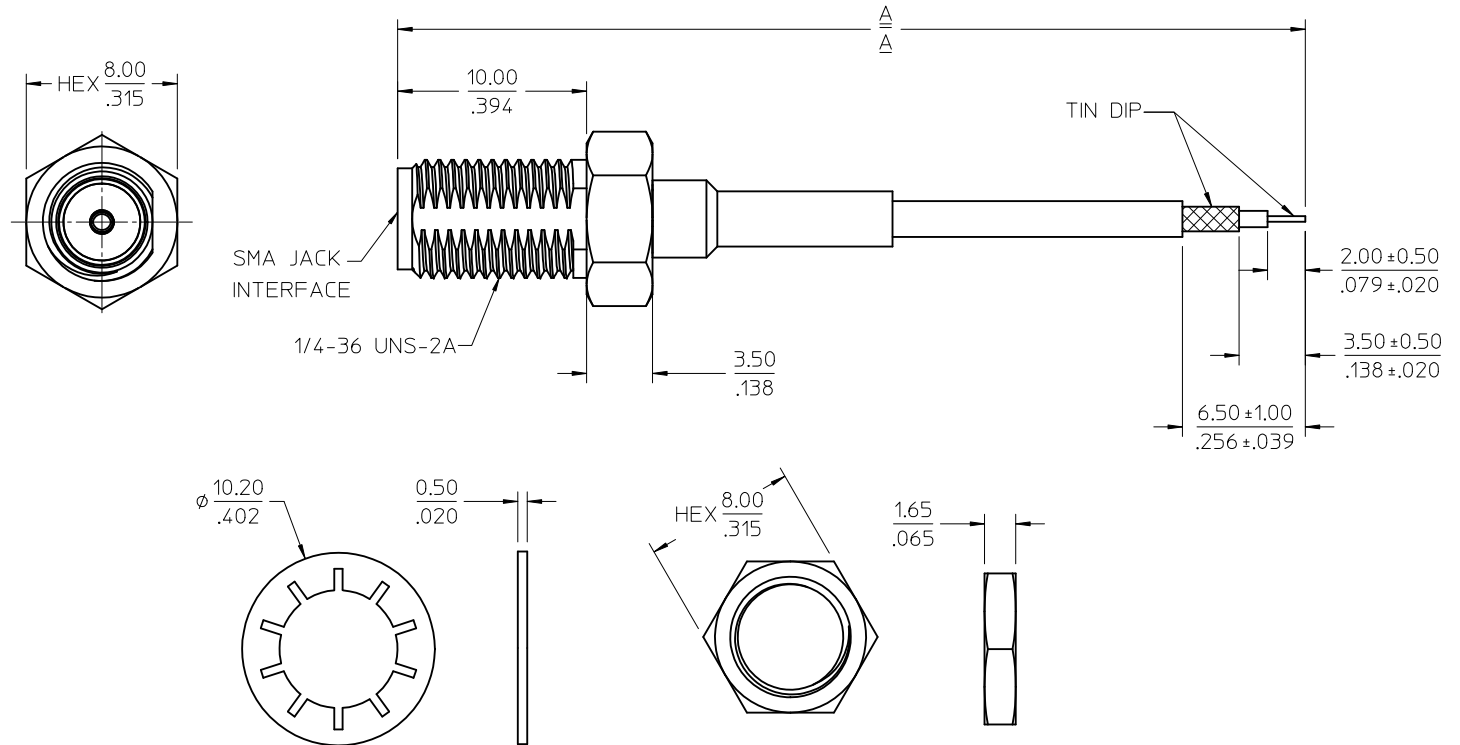
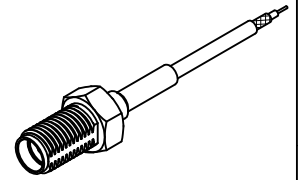
JAM NUT: BRASS
 PLATED: SEE TABLE

LOCKWASHER: SPCC OR EQUIVALENT
 PLATED: SEE TABLE

CABLE:
 RG178 CABLE OR EQUIVALENT

SHRINK TUBE: VERSAFIT OR EQUIVALENT
 BLACK COLOR

PACKAGING: BY POLYBAG



MIL-STD-348A, FIG. 310.2	SMA INTERFACE
SPECIFICATION	DESCRIPTION

89761-1674	7.087±.197	180.00±5.00	GOLD
89761-1673	5.00±.197	127.00±5.00	GOLD
89761-1672	5.512±.197	140.00±5.00	GOLD
89761-1671	5.00±.197	127.00±5.00	NICKEL
89761-1670	5.00±.197	127.00±5.00	GOLD
PART NO.	IN	MM	PLATING
DIM	A		

CHG: UPDATED MATERIAL FOR LOCK WASHER PER RF12-E045	EC NO: URF2012-0484	DRW:RYEH	CHKD:	APPR:HUANG	DESCRIPTION
	2012/02/10				2012/03/02
REV	A4				

QUALITY SYMBOLS	GENERAL TOLERANCES (UNLESS SPECIFIED)
▽=0	mm INCH
▽=0	4 PLACES ± .13 ± .005
	3 PLACES ± .13 ± .005
	2 PLACES ± .13 ± .005
	1 PLACE ± 0.25 ± .010
	ANGULAR ± 2 °
	DRAFT WHERE APPLICABLE MUST REMAIN WITHIN DIMENSIONS

DIMENSION STYLE	SCALE	DESIGN UNITS	THIRD ANGLE PROJECTION
MM/IN		METRIC	
DRAWN BY	DATE	TITLE	
JOYCE	2005/12/29	CA SMA JACK STR BKHD TO STRIP W/RG178 CABLE CA-SMAJ/STRIP	
CHECKED BY	DATE		
KERRIE	2005/12/29		
APPROVED BY	DATE		
MISEN	2005/12/29		
MATERIAL NO.	DOCUMENT NO.		
SEE TABLE	SD-89761-167		
SIZE			
C			

MATERIAL NO.	DOCUMENT NO.	SHEET NO.
SEE TABLE	SD-89761-167	1 OF 1
THIS DRAWING CONTAINS INFORMATION THAT IS PROPRIETARY TO MOLEX INCORPORATED AND SHOULD NOT BE USED WITHOUT WRITTEN PERMISSION		