

DESCRIPTION: 979 SERIES D-SUB BACKSHELL - DIE CAST

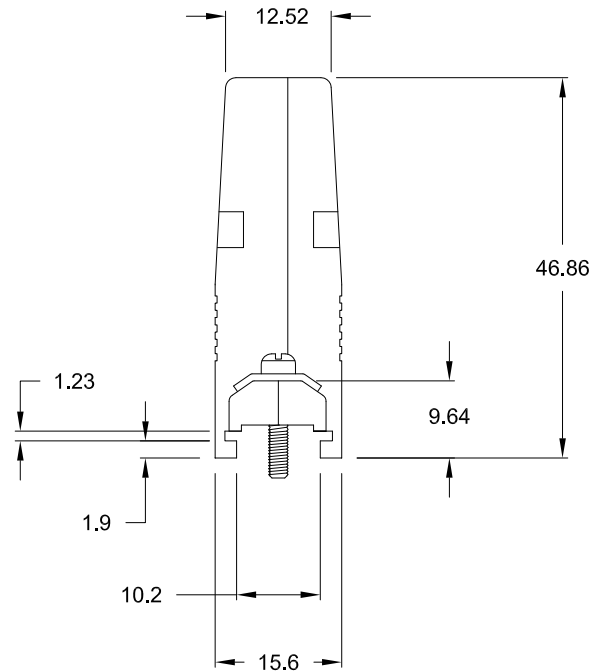
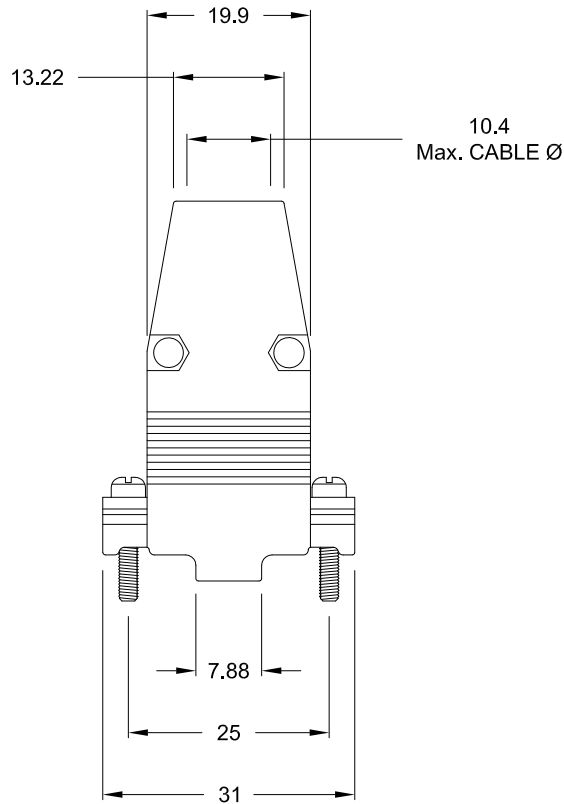
ALL TOLERANCES = ± 0.3
UNLESS OTHERWISE INDICATED

DESIGNED TO ACCOMMODATE STANDARD:
D-SUB - Shell Size 1

BACKSHELL KIT INCLUDES:

- 2 - BACKSHELL HALVES
- 2 - 4-40 MATING SCREWS
- 2 - SADDLE WASHERS
- 2 - HOUSING SCREWS
- 2 - HOUSING NUTS
- 1 - GROMMET TREE - VARIOUS SIZES
(NON-CONDUCTIVE GROMMETS)

MATERIAL: DIE-CAST ZINC ALLOY
PLATING: NICKEL
OPERATING TEMPERATURE: -45°C TO +120°C



979-009-030 R 12 1

SERIES _____
POSITIONS _____
009 _____

MATERIAL _____
030 = ZINC
RoHS COMPLIANT _____
R = HIGH TEMP. PROCESS

PLATING _____
12 = NICKEL

PUT-UPS _____
1 = KIT

UNITS = mm

DO NOT SCALE FROM DRAWING

RoHS COMPLIANT

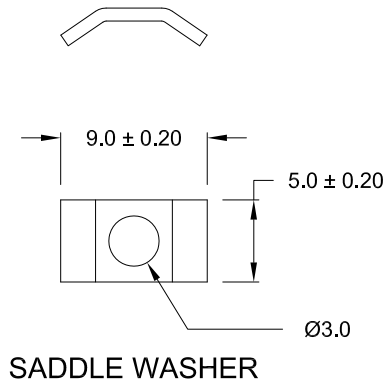
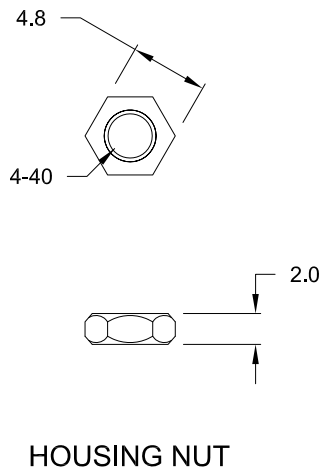
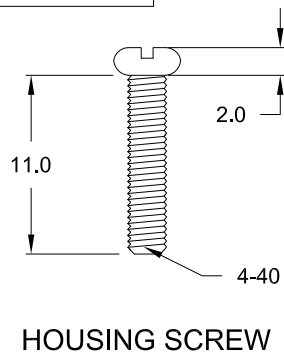
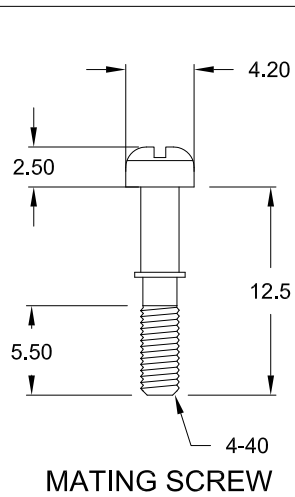


THESE DRAWINGS AND SPECIFICATIONS ARE THE PROPERTY OF NorComp AND SHALL NOT BE REPRODUCED, COPIED OR USED AS THE BASIS FOR THE MANUFACTURE OF SALE OF APPARATUS WITHOUT WRITTEN PERMISSION.

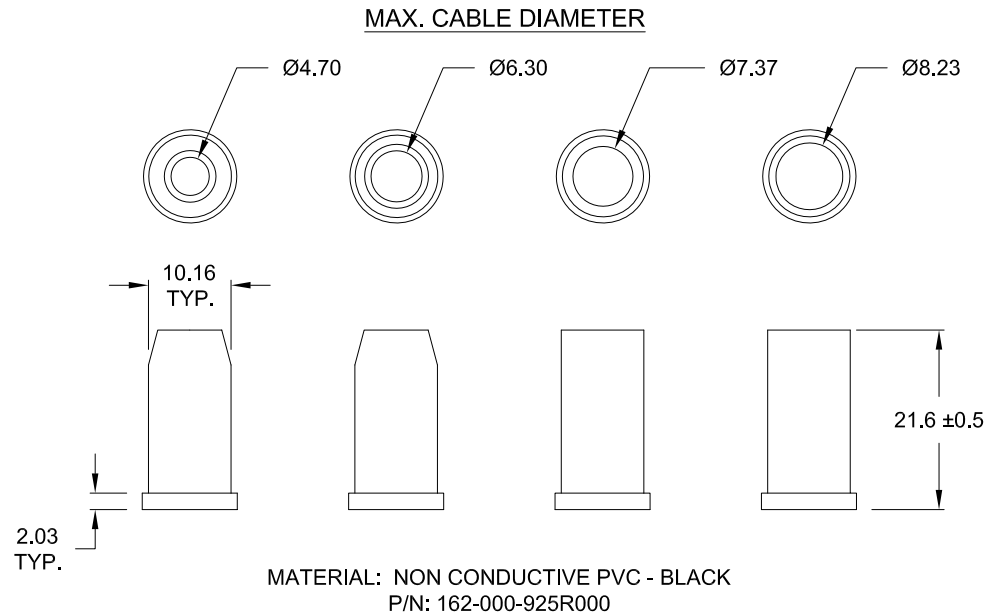
NorComp

| | | | |
|--------------------------------|-------------------|--------------------------|-----------------|
| DRAWN: C. SMITH | | DATE: 04-20-10 | |
| SCALE: NTS | SHEET 1 | OF 2 | REV 6 |
| DWG NO. 979-009-030R121 | | | |

DESCRIPTION: 979 SERIES D-SUB BACKSHELL - HARDWARE



ALL HARDWARE:
MATERIAL = STEEL
PLATING = NICKEL



UNITS = mm

DO NOT SCALE FROM DRAWING

RoHS COMPLIANT



THESE DRAWINGS AND SPECIFICATIONS ARE THE PROPERTY OF NorComp AND SHALL NOT BE REPRODUCED, COPIED OR USED AS THE BASIS FOR THE MANUFACTURE OF SALE OF APPARATUS WITHOUT WRITTEN PERMISSION.

| | | | |
|---------------------------|-------------------|--------------------------|-----------------|
| DRAWN: C. SMITH | | DATE: 04-20-10 | |
| SCALE: NTS | SHEET 2 | OF 2 | REV 6 |
| DWG NO. | | 979-009-030R121 | |

NorComp