

**MATERIALS AND FINISHES:**

BODY, COUPLING NUT: BRASS  
PLATED SEE TABLE

CENTER CONTACT: BRASS  
PLATED GOLD  
SEE TABLE

INSULATOR: TEFLON

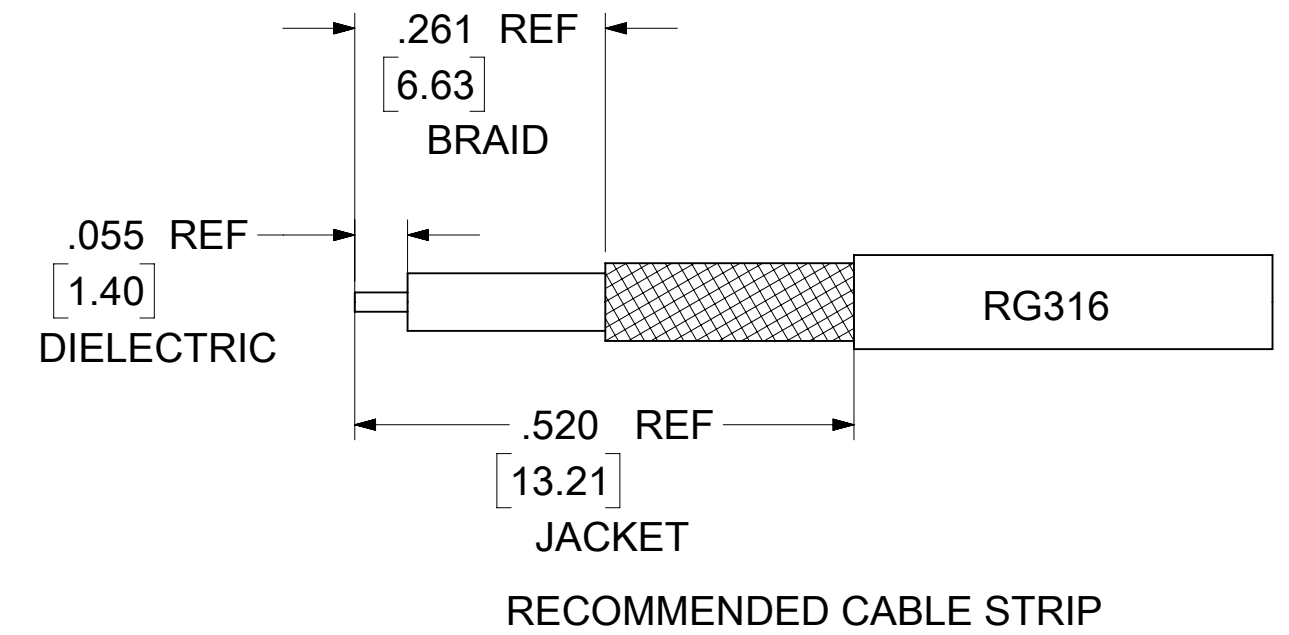
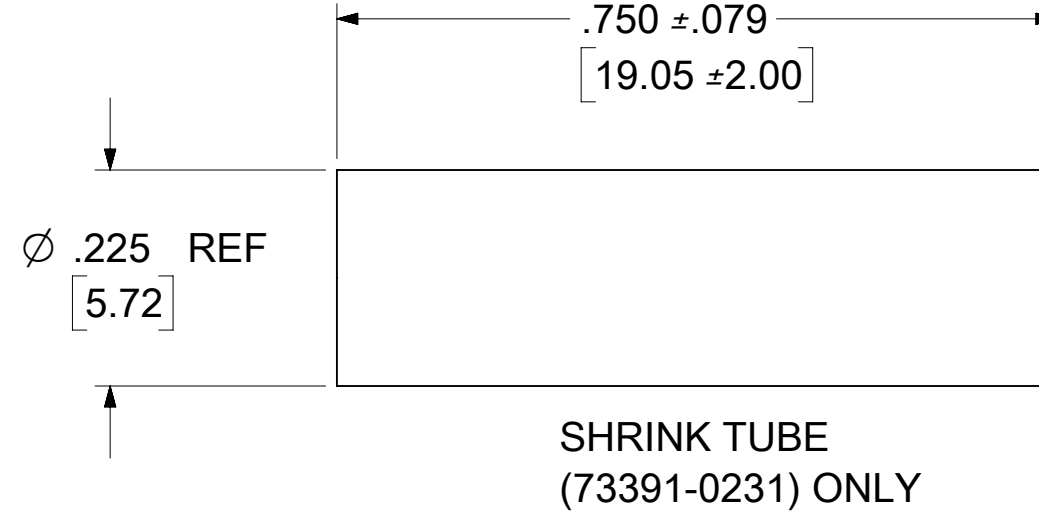
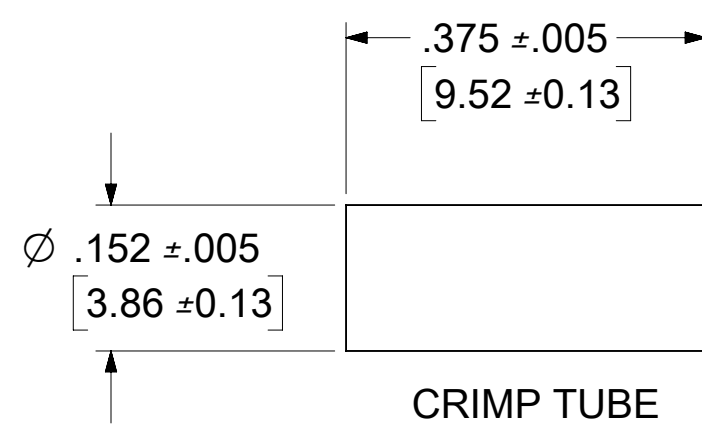
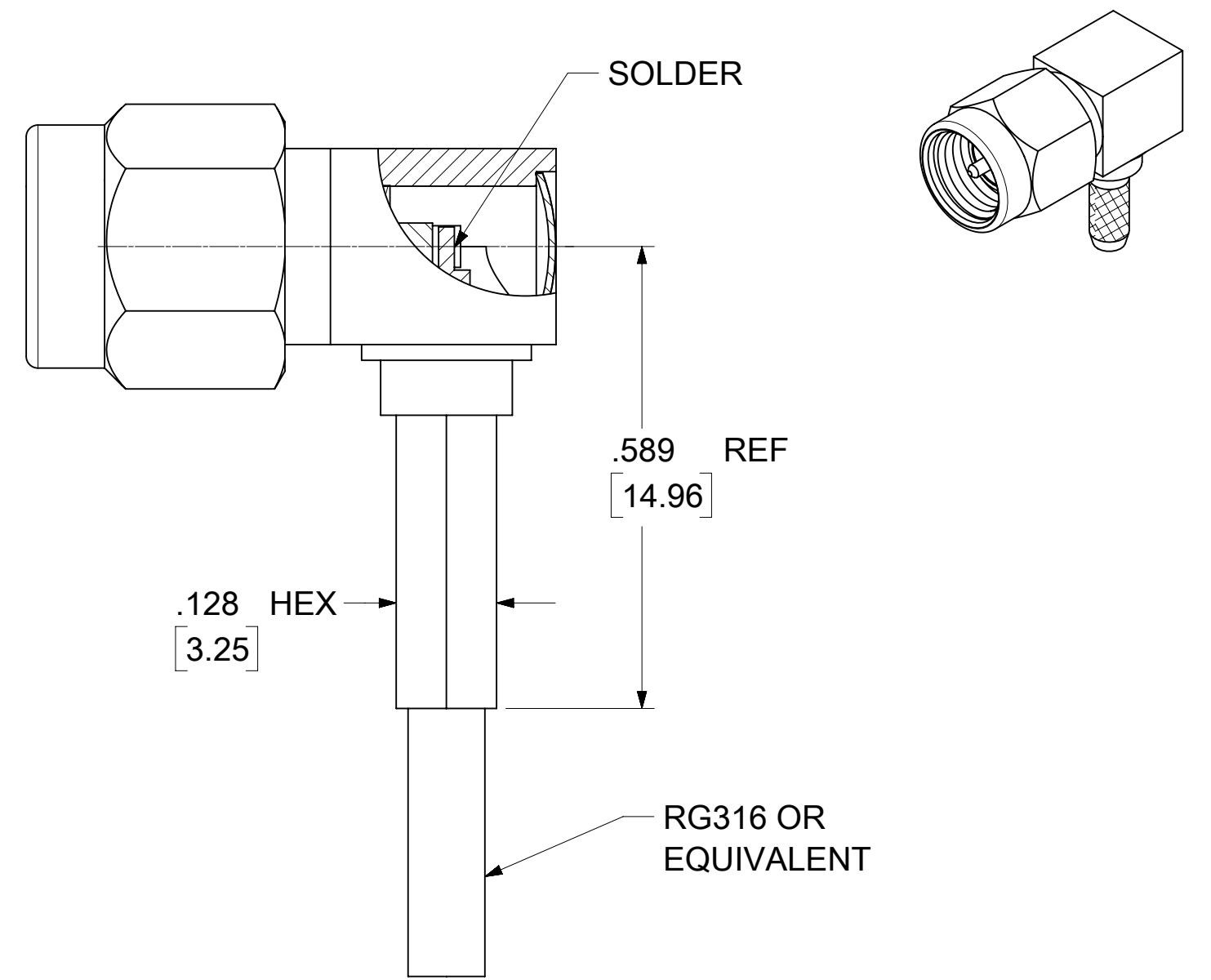
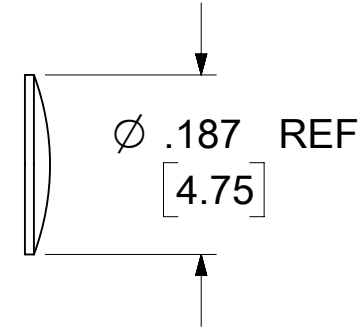
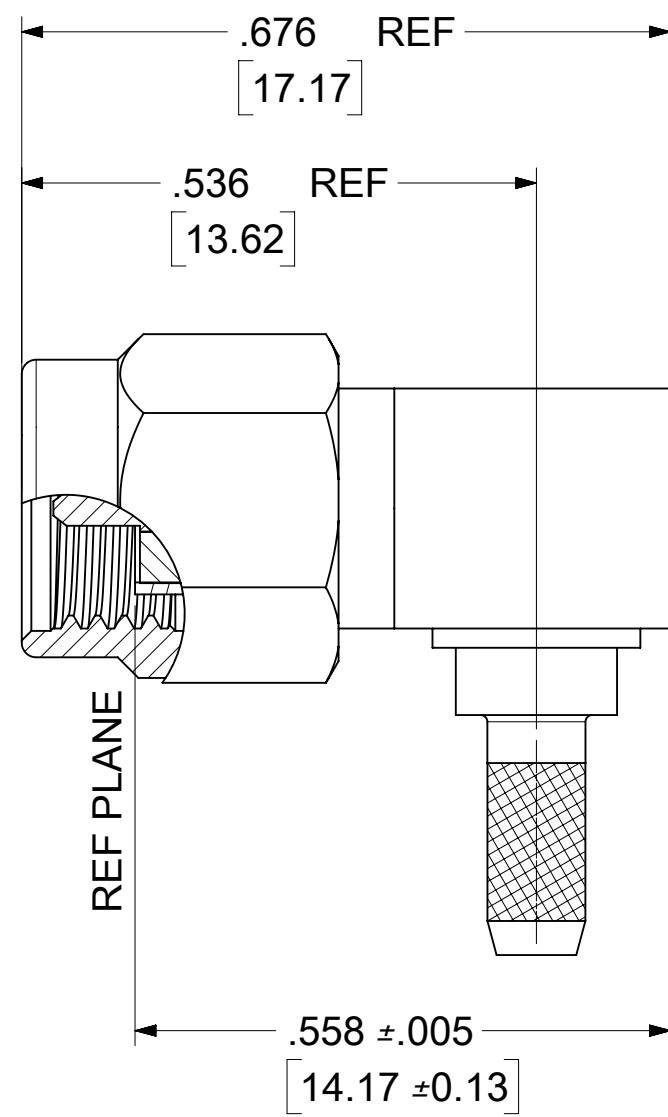
CAP: STAINLESS STEEL  
PASSIVATED

C'RING: BERYLLIUM COPPER

CRIMP TUBE: BRASS  
PLATED SEE TABLE

GASKET: SILICONE RUBBER

SHRINK TUBE: VERSAFIT  
SEE TABLE



73391-0236	NOT INCLUDED	GOLD (5µ" MIN.)	GOLD (5µ" MIN.)	GOLD (30µ" MIN.)	STANDARD TRAY (PER SPEC PK-89542-006)
73391-0235	NOT INCLUDED	NICKEL	NICKEL	GOLD	STANDARD TRAY (PER SPEC PK-89542-006)
73391-0234	NOT INCLUDED	GOLD	NICKEL	GOLD	73391-0230 PACKED ONE PER BAG
73391-0233	NOT INCLUDED	GOLD	GOLD	GOLD	STANDARD TRAY (PER SPEC PK-89542-006)
73391-0232	NOT INCLUDED	GOLD	NICKEL	GOLD	73391-0230 PACKED IN SMALL TRAY (20 CAVITY)
73391-0231	INCLUDED	GOLD	NICKEL	GOLD	STANDARD TRAY (PER SPEC PK-89542-006)
73391-0230	NOT INCLUDED	GOLD	NICKEL	GOLD	STANDARD TRAY (PER SPEC PK-89542-006)
PART NO.	SHRINK TUBE	BODY & NUT	CRIMP TUBE	CONTACT	PACKAGING
		PLATING	PLATING	PLATING	

\* THE GOLD PLATING IS 1µ" MIN. EXCEPT FOR 73251-0236

PS-89675-3460	ELECTRICAL/MECHANICAL
MIL-STD-348A, FIG. 310-1	INTERFACE
SPECIFICATION	DESCRIPTION

A8	2020/04/23	ADD -0236 PER EWR13738-B
REV.	DATE	DESCRIPTION

FUNCTIONAL SYMBOLS	THIS DRAWING CONTAINS INFORMATION THAT IS PROPRIETARY TO MOLEX ELECTRONIC TECHNOLOGIES, LLC AND SHOULD NOT BE USED WITHOUT WRITTEN PERMISSION		CURRENT REV DESC:	
FA = 0	DIMENSION UNITS	SCALE		
EA = 0	INCH	NTS		
EP = 0	GENERAL TOLERANCES (UNLESS SPECIFIED)			
	ANGULAR TOL ± 2.0°			
	4 PLACES	±		
	3 PLACES	± 0.01		
	2 PLACES	±		
	1 PLACE	±		
	0 PLACES	±		
DIVISIONAL SYMBOLS	DRAFT WHERE APPLICABLE MUST REMAIN WITHIN DIMENSIONS		THIRD ANGLE PROJECTION	
			DRAWING SERIES	
			C-SIZE 73391	
EC NO: 637132			2020/04/23	
DRWN: CWEI02			2020/05/20	
CHK'D: YCHENG			2020/05/20	
APPR: YCHENG			2020/05/20	
INITIAL REVISION:				
DRWN: LYNN LIN			2001/01/30	
APPR: MISEN			2001/01/30	
DOCUMENT NUMBER		DOC TYPE	DOC PART	REVISION
SD-73391-023		PSD	001	A8
MATERIAL NUMBER		CUSTOMER		SHEET NUMBER
SEE TABLE		GENERAL MARKET		1 OF 1

**molex**

SMA PLUG R/A 50 OHMS FOR  
RG-316 SMA-PC/RA EWR-1765

PRODUCT CUSTOMER DRAWING