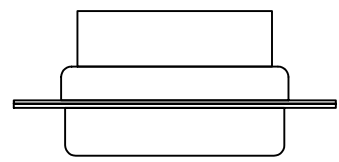
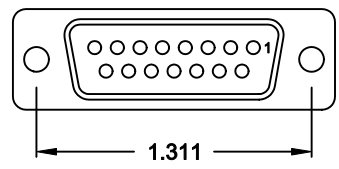
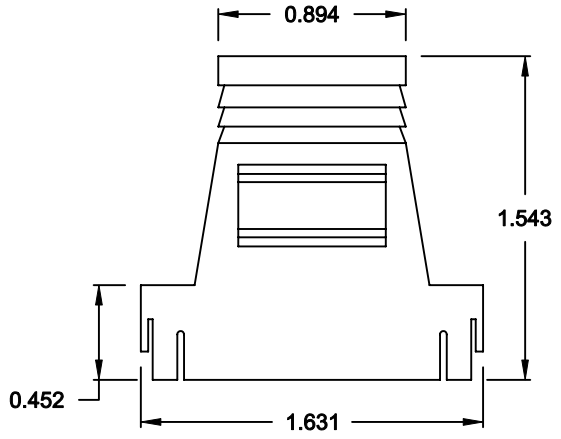
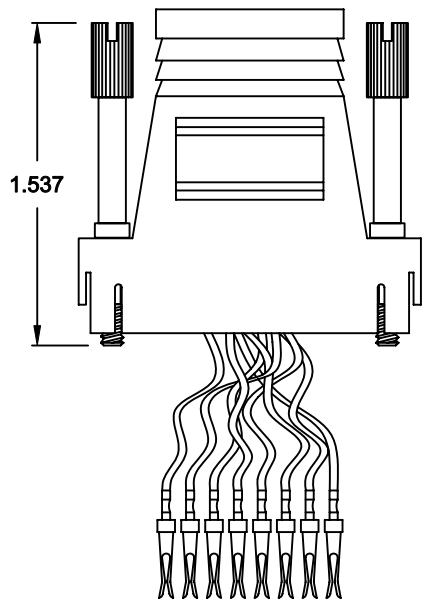
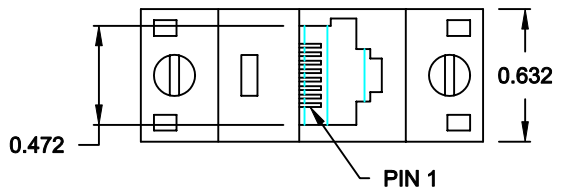


DESCRIPTION: RJ-45 TO 15-POSITION FEMALE D-SUB - PLASTIC & METALIZED PLASTIC

**MATERIAL:**

HOOD: ABS UL 94V-HB

**RJADK15S70808Y1**



- SERIES \_\_\_\_\_
- POSITIONS \_\_\_\_\_
- 15
- GENDER \_\_\_\_\_
- S = FEMALE
- D-SUB TERMINALS \_\_\_\_\_
- 7 = CRIMP & POKE (CONTACTS PRE-CRIMPED)
- MODULAR POSITIONS \_\_\_\_\_
- 08
- MODULAR POSITIONS LOADED \_\_\_\_\_
- 08
- COLOR \_\_\_\_\_
- 1 = BLACK
- 2 = METALIZED (SHIELD RATING: 60dB)
- 3 = GRAY
- D-SUB CONTACT PLATING \_\_\_\_\_
- 1 = GOLD FLASH

|   |                   |
|---|-------------------|
| <b>RJ45</b>   | <b>DB-15F</b>     |
| <ul style="list-style-type: none"> <li>1. BLUE</li> <li>2. ORANGE</li> <li>3. BLACK</li> <li>4. RED</li> <li>5. GREEN</li> <li>6. YELLOW</li> <li>7. BROWN</li> <li>8. WHITE</li> </ul> | <p>FRONT VIEW</p> |

DO NOT SCALE FROM DRAWING

**RoHS COMPLIANT**

|                |   |                                |                           |                          |
|----------------|---|--------------------------------|---------------------------|--------------------------|
|                | THESE DRAWINGS AND SPECIFICATIONS ARE THE PROPERTY OF NorComp AND SHALL NOT BE REPRODUCED, COPIED OR USED AS THE BASIS FOR THE MANUFACTURE OF SALE OF APPARATUS WITHOUT WRITTEN PERMISSION. |                                | DRAWN:<br><b>C. SMITH</b> | DATE:<br><b>05-15-07</b> |
|                |   |                                | CHECKED:                  | DATE:                    |
| <b>NorComp</b> |   | SCALE:<br><b>N.T.S.</b>        | SHEET<br><b>1</b>         | OF<br><b>1</b>           |
|                |   | DWG NO. <b>RJADK15S70808Y1</b> |                           |                          |