

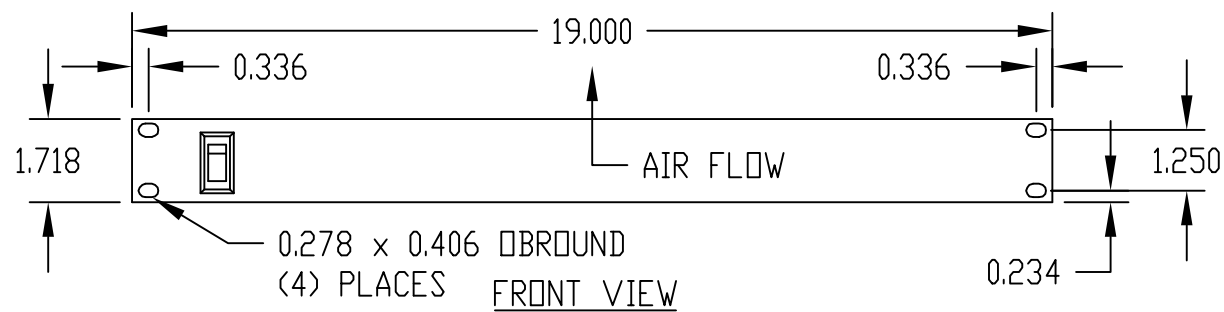
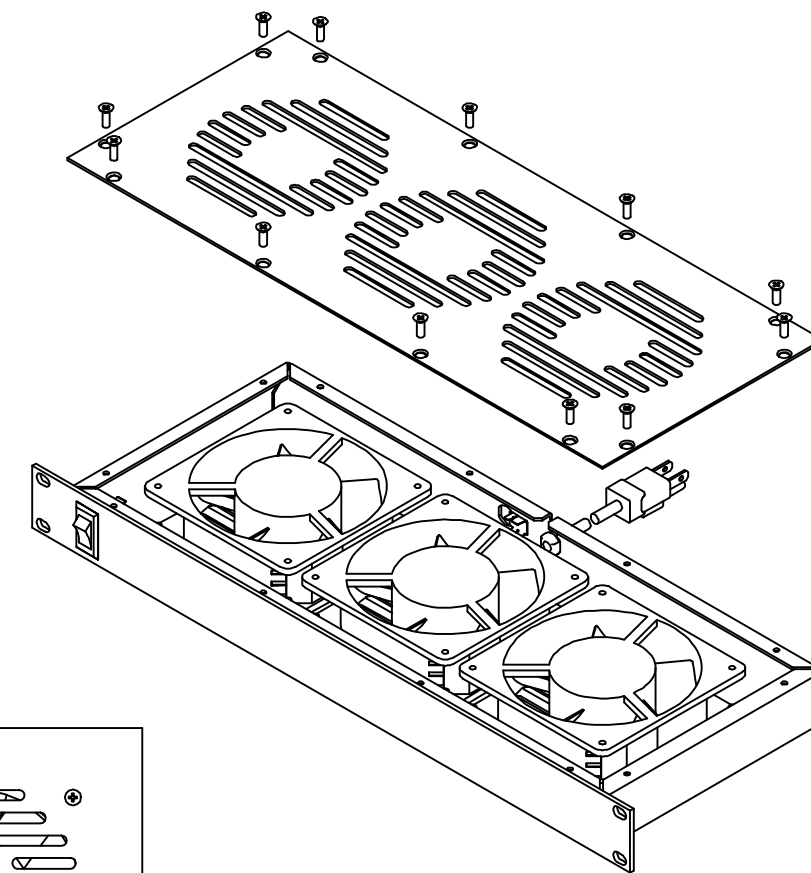
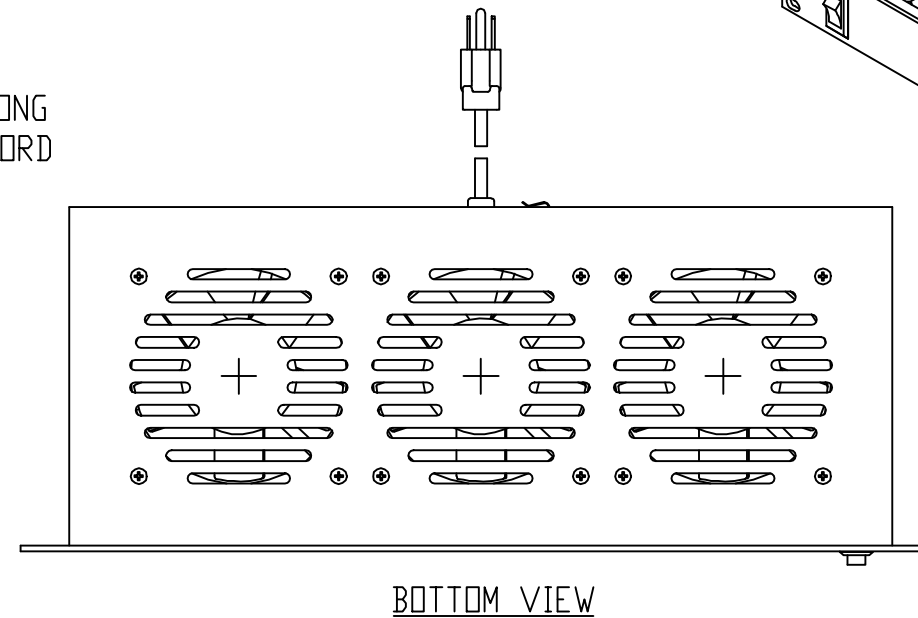
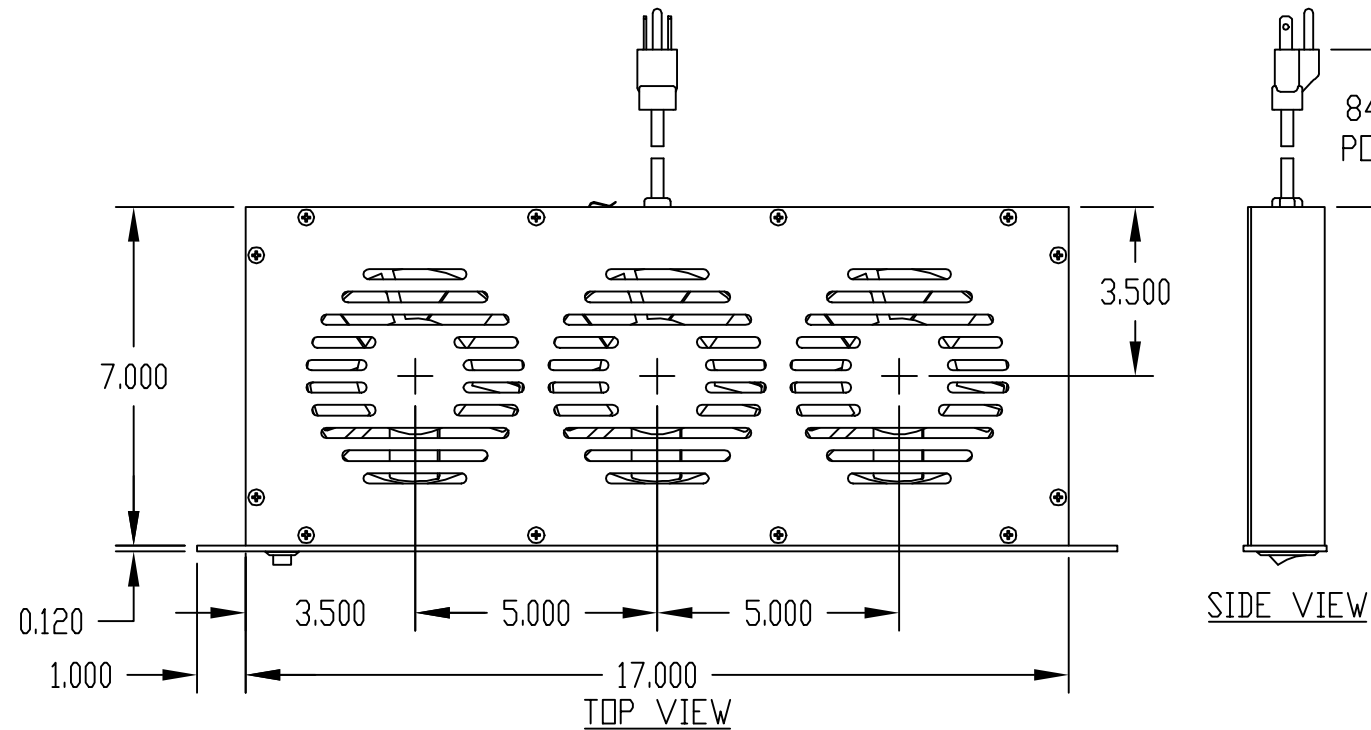
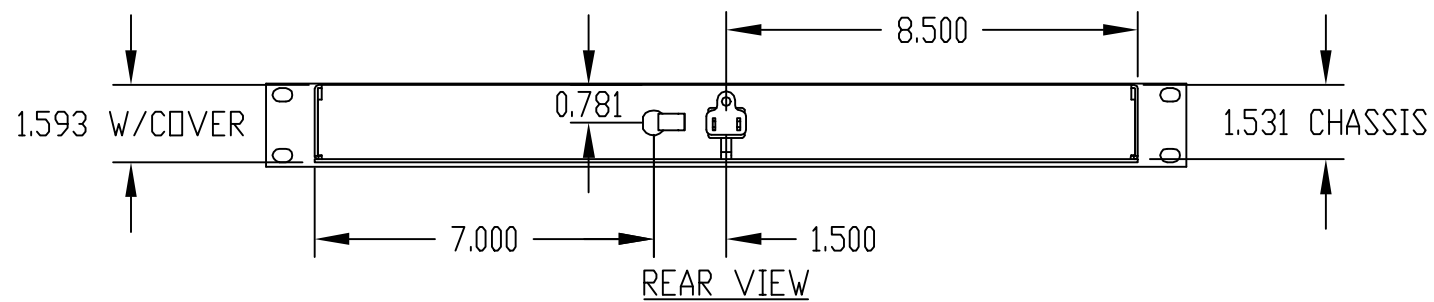
PART NAME

FAN TRAY ASSEMBLY (3) FANS

PART No.

FT-1973

REV. DATE



MATERIAL:

CHASSIS & COVER \_\_\_\_\_ 16 GA. STEEL  
 FRONT PANEL \_\_\_\_\_ 11 GA. STEEL

FINISH: SMOOTH BLACK

UNIT SUPPLIED FULLY ASSEMBLED.

FAN HOUSING: ONE-PIECE ZINC DIE CASTING  
 IMPELLER: THERMOPLASTIC (UL-94-V0)

POWER	CFM	WATTS	TEMP. RANGE
115 V.A.C.	105	19/17	-20°C. TO +60°C.