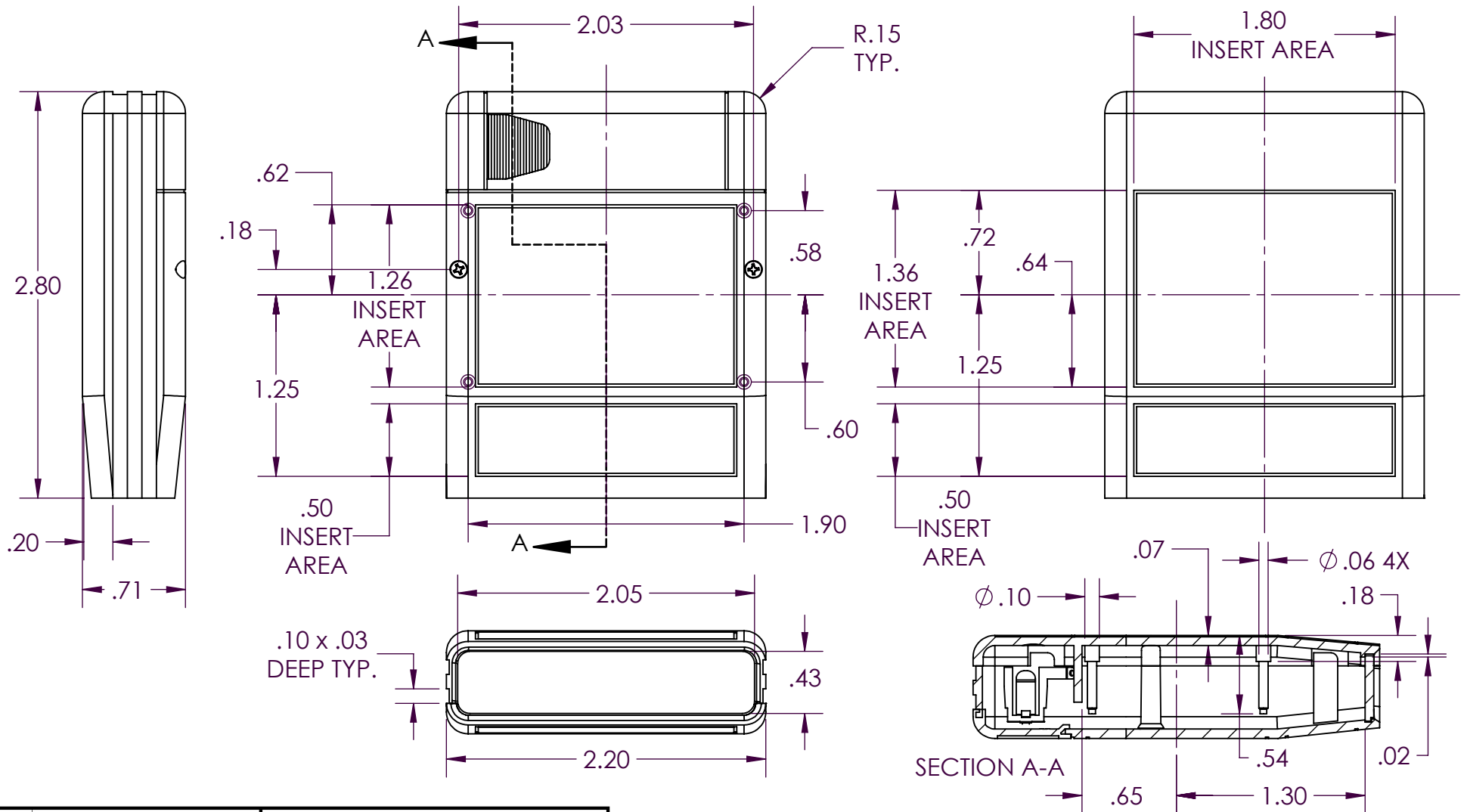


SERPAC M4

Electronic Enclosures

NOTES:

1) When machine or I-plates modifications are required, use the center of the enclosure to dimension.



PART NO.	DESCRIPTION	ACCESSORIES	
		PART NO.	DESCRIPTION
4001	M4 PLASTIC TOP		
4004	M4 PLASTIC FACE PLATE	1030	PLASTIC POCKET CLIP
4003	M4 PLASTIC BATTERY COVER	4004CL	CLEAR FACE PLATE
4002	M4 PLASTIC BOTTOM	4004IR	INFRARED FACE PLATE
76	BATTERY CONTACTOR	4004R	RED FACE PLATE
77	BATTERY CONTACTOR		
6001	SCREW (2)		

