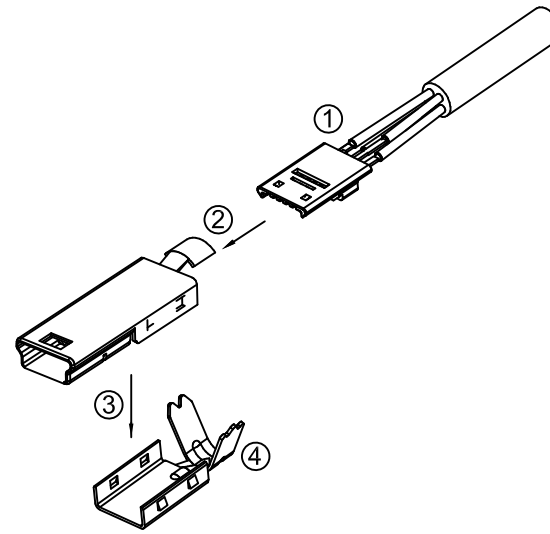
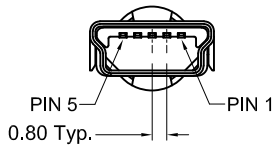
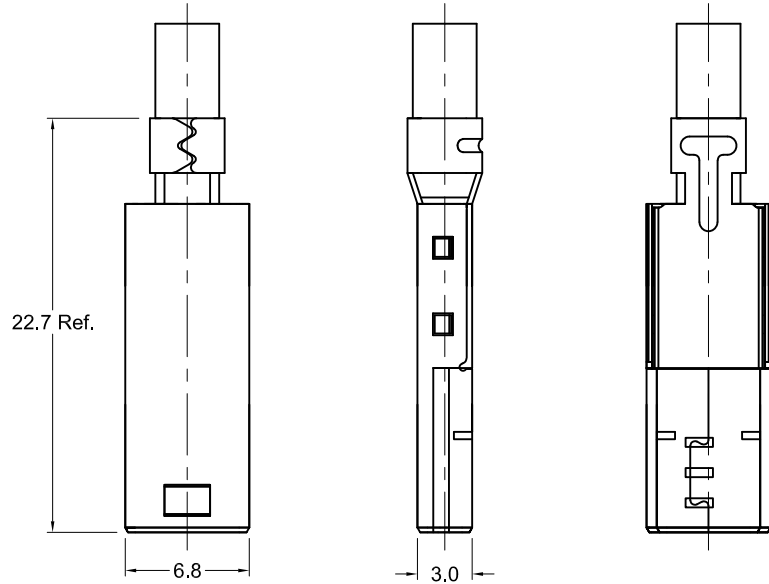


ASSEMBLED PLUG



ASSEMBLY PROCESS

- ① SOLDER CABLE WIRES TO CONTACT INSERT
- ② INSERT CONTACT INSERT INTO SHELL UNTIL SEATED
- ③ INSTALL SHELL COVER
- ④ CRIMP STRAIN RELIEF TO CABLE WITH PLIERS

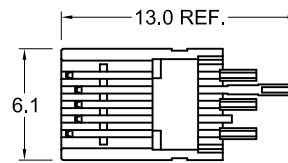
Materials and Finish

Shell:
Steel or Brass
0.30mm thickness
Nickel Plated

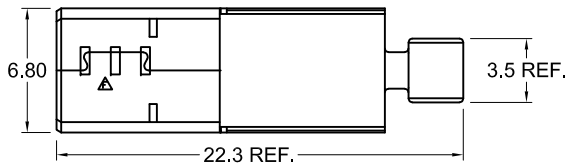
Insulator:
PBT Thermoplastic
UL 94V-0 Rated
Black Color

Contacts:
Phosphor Bronze, 30u" Gold plated

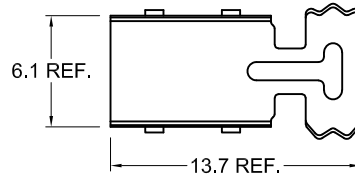
CONTACT INSERT



SHELL



SHELL COVER



| Tolerances |
|---------------|
| X.X ± 0.25 |
| X.XX ± 0.15 |
| Unless Stated |
| Otherwise |



| REV. | DATE | DESCRIPTION | REV. BY | CHK. BY | DRAWN BY | DATE |
|------|----------|-----------------------|-------------|-------------|----------|---------|
| A1 | 6/27/05 | New Drawing | N.Chang | C. Furumasu | | |
| A2 | 03/14/08 | ECO #08-021 | R. Aguirre | H. MA | N.Chang | 6/27/05 |
| A3 | 09/14/09 | ECO #09-070 | S. Vien | H. MA | | |
| A4 | 05/07/13 | ECO #13-019 | W. Cook | P. DalCanto | | |
| A5 | 08/08/18 | Update Address & RoHS | C. Kelleher | C. Furumasu | | |

KMBX-BP-KIT-ST30

Mini-USB B-type Plug Kit, RoHS Compliant

comes unassembled with 3 pieces

