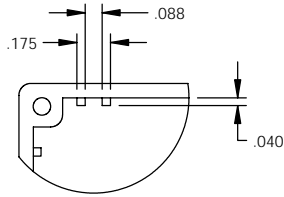


PART NAME

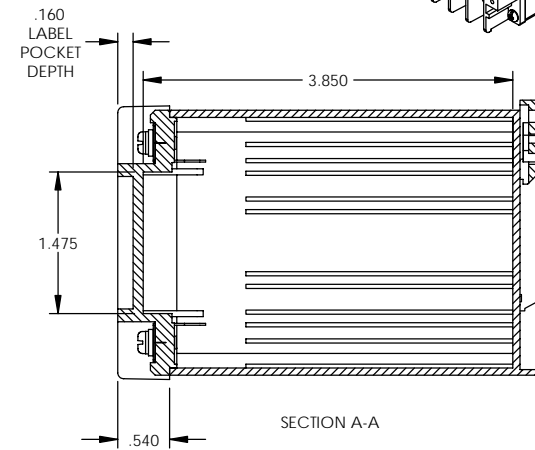
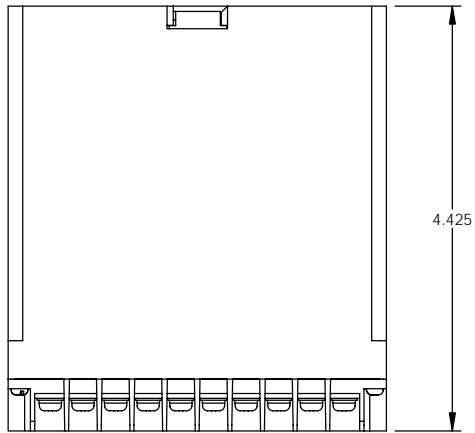
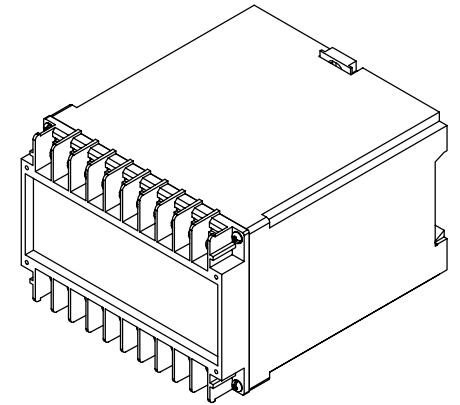
DIN RAIL MOUNT BOX

PART No.

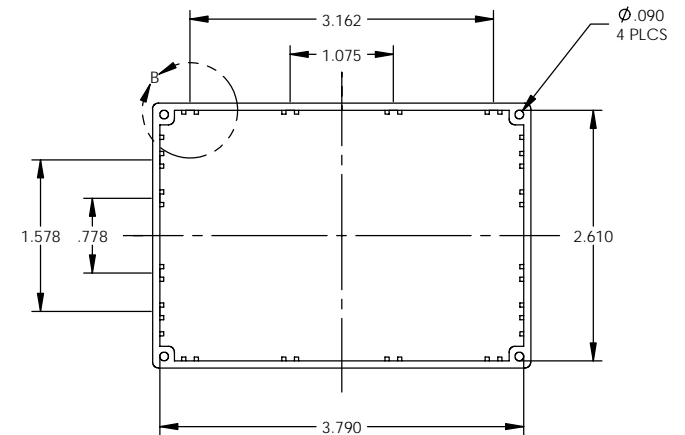
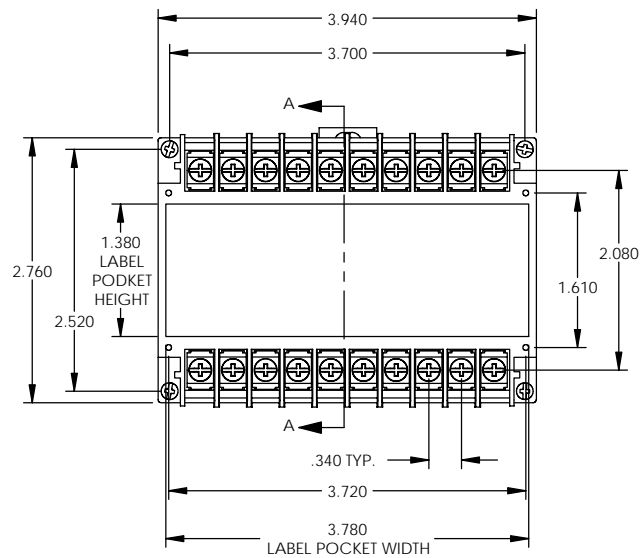
DB-4703



DETAIL B



SECTION A-A



MATERIAL: UL94V-0 ABS PLASTIC

FINISH: LIGHT GRAY

FOUR (4) M3 SCREWS SUPPLIED TO ATTACH FRONT PANEL

ALL DIMENSIONS HAVE A ±.015 TOLERANCE UNLESS OTHERWISE SPECIFIED

ALL CONTACTS ARE TIN PLATED BRASS RATED AT 10 AMPS