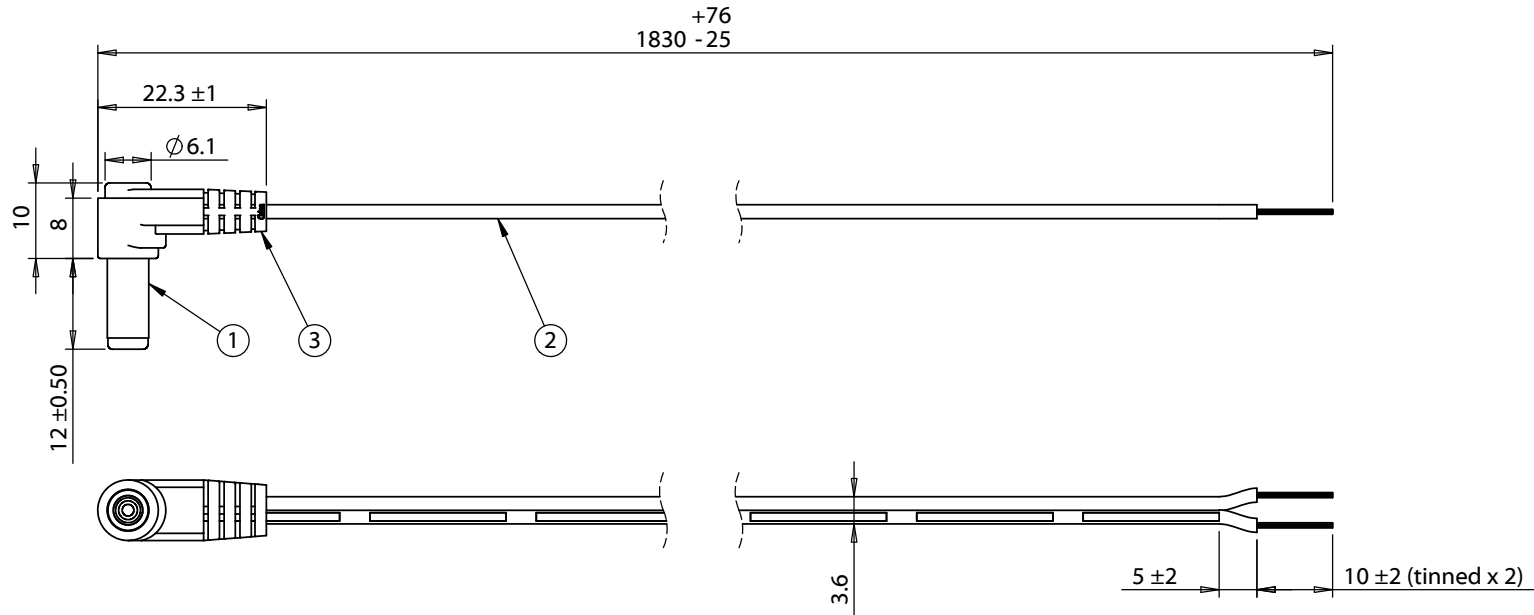


ITEM NO.	PART NUMBER	DESCRIPTION	QTY.	COMPONENT NOTES
1	50-00258	Connector, dc plug, 5.5x2.5xL20.5 mm, molding style	1	
2	30-00003	Wire, 2C BC, 24 AWG, UL2468, 300V, 80C, 3.6 mm, VW-1, PVC, 76A	1	
3	24-00046	Overmold, PVC	1	



Notes:

Hi-Pot test: 600 Vac, 0.5 mA, 1 second

Wiring Diagram	
50-00258	wire color
center	black with stripe
sleeve	black

Revision:	Date:	Description:	Prepared:	Notes:	<h1>TENSILITY</h1> <p>tel 1.541.323.3228 800 877.670.7118 fax 1.541.323.4202 web tensility.com</p>						
A1	9/22/2009	Included plug and overmold dimensions	GL 2016.07.08 09:15:39 -07'00'	RoHS compliant							
A2	8/31/2011	Updated description, connector, and wire dimension	Verified: AG 2016.07.11 11:05:27 -07'00'	Function test: no open, no short circuit, no intermittent							
A3	7/31/2012	Updated connector description	Dimensions are in millimeters. Tolerances: X: ± 0.5 mm X.X: ± 0.3 mm X.XX: ± 0.05 mm	Description: Cable, 1830 mm, 5.5x2.5x12 mm, 90° 50-00258 dc plug to stripped tinned, 24 AWG, 30-00003 wire							
A4	9/10/2013	Updated connector									
A5	6/24/2016	Corrected overmold dimensions			<table border="1"> <tr> <td>Size:</td> <td>Part number:</td> </tr> <tr> <td>A</td> <td>053-0187R (CA-2188)</td> </tr> <tr> <td>Scale: 1:1</td> <td>Sheet 1 of 1</td> </tr> </table>	Size:	Part number:	A	053-0187R (CA-2188)	Scale: 1:1	Sheet 1 of 1
Size:	Part number:										
A	053-0187R (CA-2188)										
Scale: 1:1	Sheet 1 of 1										