

1

1" (25.4mm)
(Not to scale)

2

T568B

T568A

Wiring sequence

B				
A				

3

4

T568B

T568A

5

T568B

T568A

Follow order carefully so wires overlap properly in the next step.

6

T568B

Blue/white wire should overlap and be parallel to green wire as shown.

T568A

Blue/white wire should overlap and be parallel to orange wire as shown.

7

Ensure conductors are secure in slots before cutting flush with cap.

T568B

T568A

CWST

8

Note: Bending the cable may cause conductors to become unsecured and termination to fail.

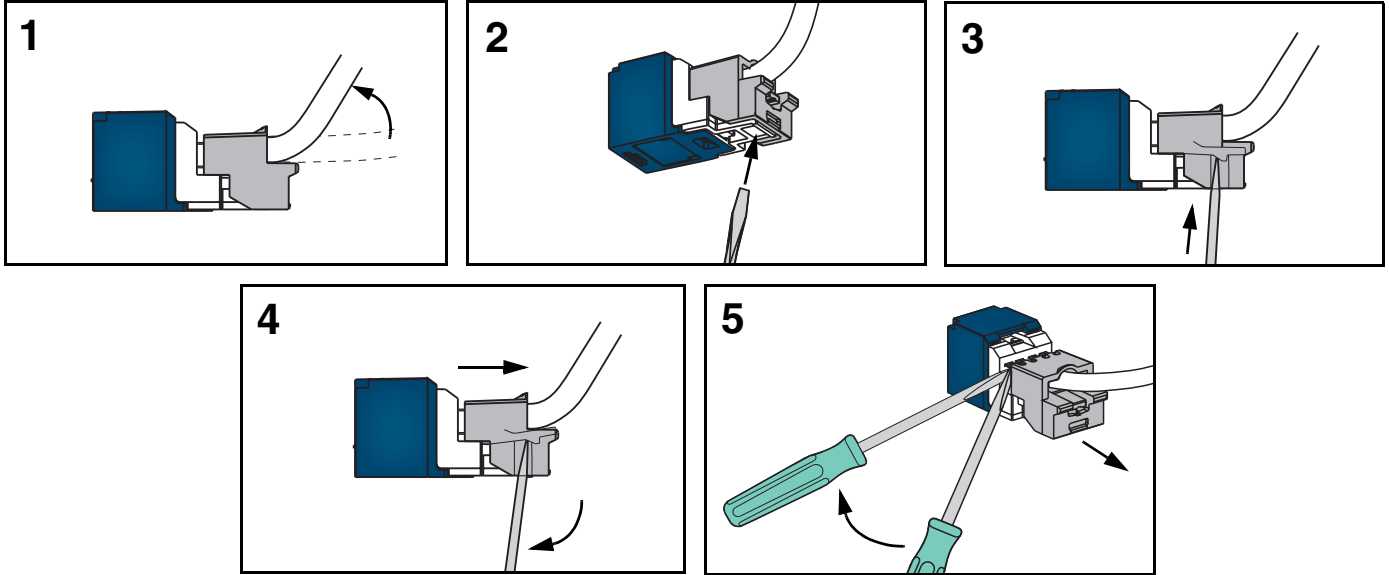
Keep cable straight. Verify conductors are visible and secured in place.

DO NOT BEND CABLE!

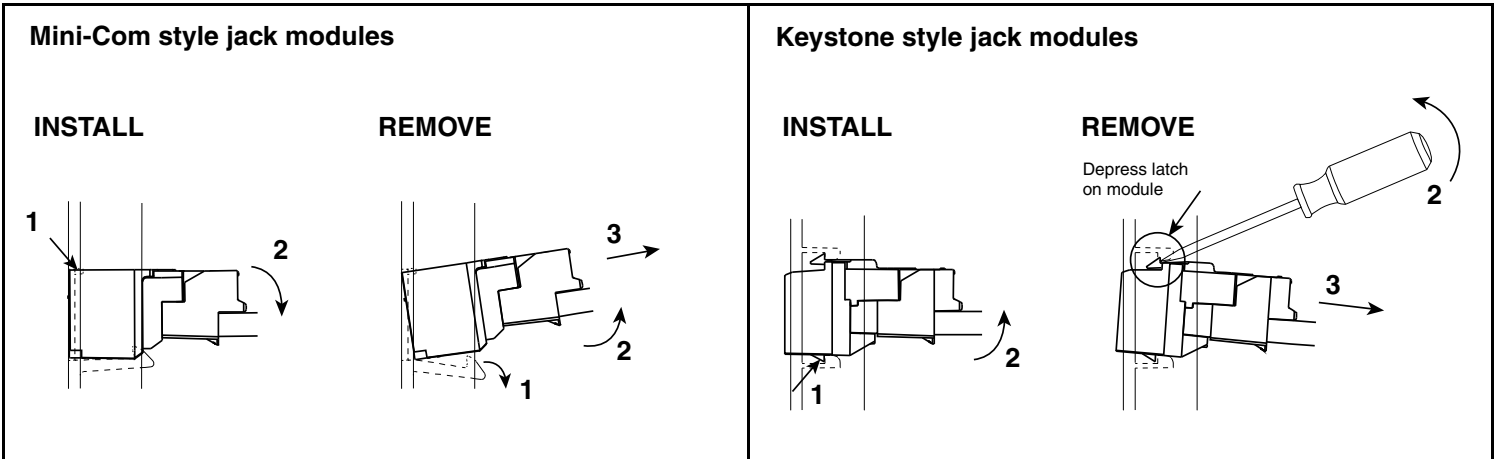
"TOP"

CGJT

TERMINATION CAP REMOVAL



JACK MODULE INSTALLATION / REMOVAL



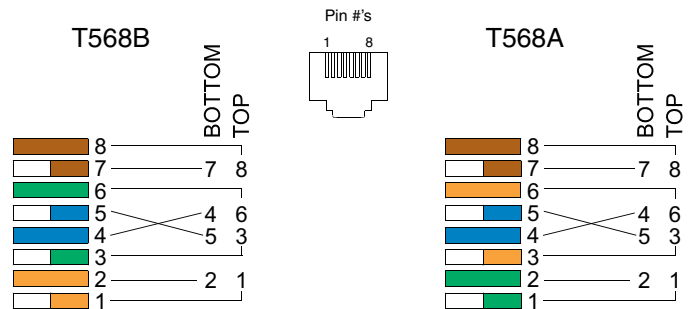
Notes:

1. For specified performance, follow ANSI/NECA/BICSI-568-2006 installation guidelines.
2. Jack modules can terminate PVC or Plenum rated 22-24 AWG solid or stranded IWC cable with insulated conductor outside diameter ranging between 0.035 inch (0.88mm) and 0.048 inch (1.2mm).
3. Jack modules may be re-terminated a minimum of 10 times.
4. For technical and performance information, consult Panduit Technical Support.

As with all Wiring Accessories, the following statements apply:

1. Never install communications wiring during a lightning storm.
2. Never install communications wiring in wet locations unless the jack is specifically designed for use in wet locations.
3. Never touch uninsulated communications wiring or terminals unless the communication line has been disconnected at the network interface.
4. Use caution when installing or modifying communication wiring.

Wiring Sequences



For Instructions in Local Languages and Technical Support:

www.panduit.com/resources/install_maintain.asp



www.panduit.com

E-mail: techsupport@panduit.com

Phone: 866-405-6654

