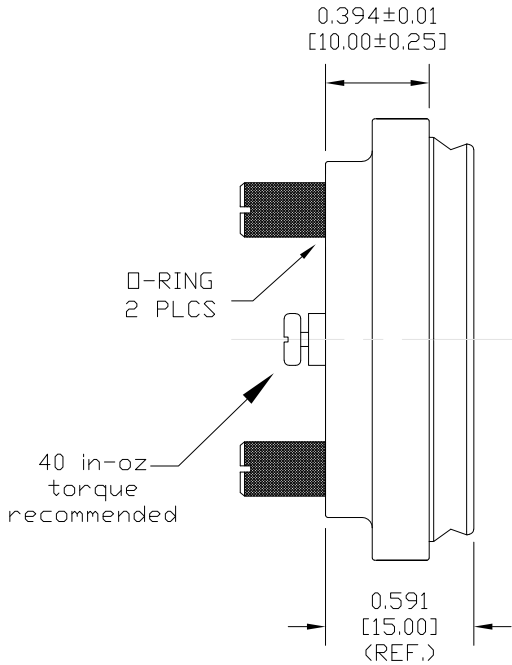


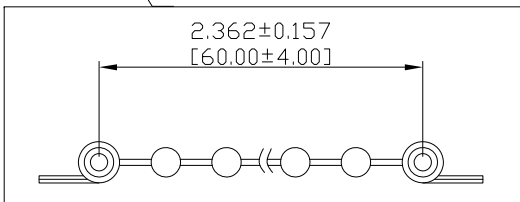
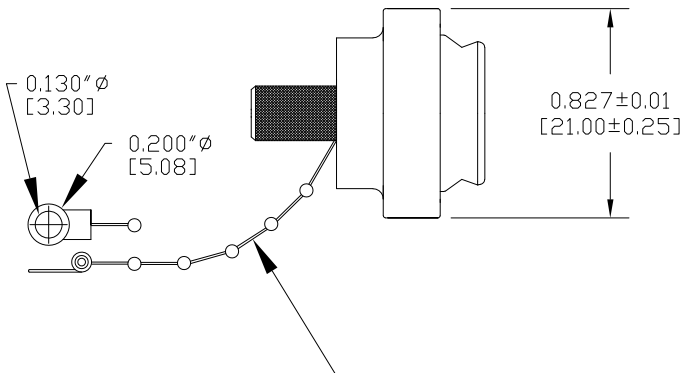
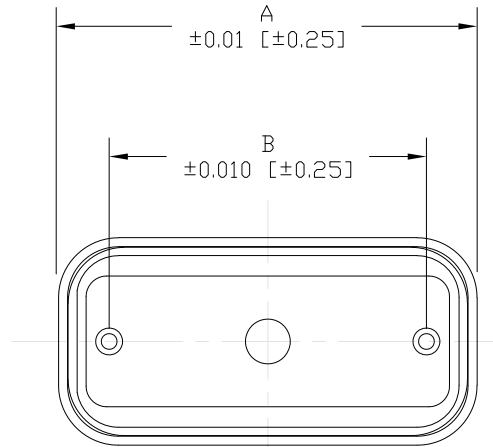
DESCRIPTION: IP67 // CONNECTOR COVER

MATERIAL & FINISH:

BACKSHELL: ABS - UL HB RATED, BLACK COLOR
 BUSHING & BAFFLE: SILICONE
 THUMBSCREWS: BRASS, NICKEL PLATED
 ABS TEMPERATURE: -0°C TO 80°C
 SILICON TEMPERATURE: -35°C TO 116°C



POS.	A	B
9	1.653 [42.0]	0.984 [25.0]
15	1.980 [50.3]	1.311 [33.3]
25	2.521 [64.04]	1.852 [47.05]



SERIES 967-YYY-CAP

POSITIONS
 009 (ALSO FITS 15 POS HIGH DENSITY)
 015 (ALSO FITS 26 POS HIGH DENSITY)
 025 (ALSO FITS 44 POS HIGH DENSITY)

DO NOT SCALE FROM DRAWING

UNITS = inch [mm]



THESE DRAWINGS AND SPECIFICATIONS ARE THE PROPERTY OF NorComp AND SHALL NOT BE REPRODUCED, COPIED OR USED AS THE BASIS FOR THE MANUFACTURE OF SALE OF APPARATUS WITHOUT WRITTEN PERMISSION.

DRAWN: P. JENKINS
 DATE: 7-21-11

NorComp

SCALE: NTS SHEET 1 OF 1 REV 4

DWG NO. 967-YYY-CAP

RoHS COMPLIANT