

PART NAME

NEMA 4X ENCLOSURE

PART No.

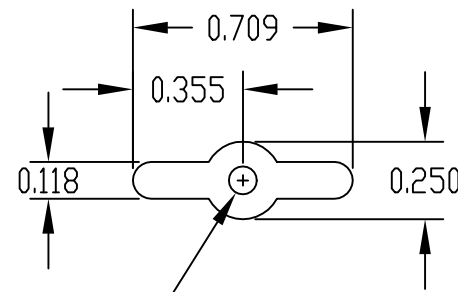
PN-1338, PN-1338-C AND PN-1338-DG

REV. DATE

11-17-08

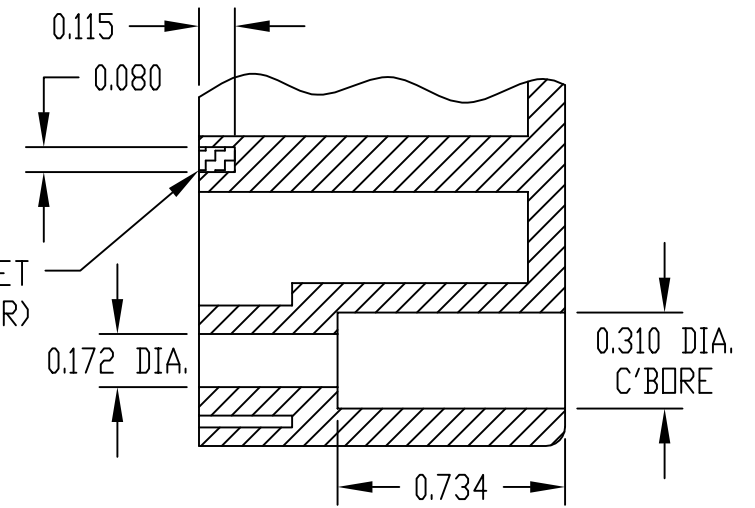
**INDUSTRY STANDARDS:**

- POLYCARBONATE (LIGHT GRAY AND CLEAR)
- UL94-HB FLAMMABILITY RATING (UL FILE #E41613)
- UV STABILIZED
- SERVICE TEMPERATURE RANGE: -40°C TO +120°C
- ABS (DARK GRAY)
- UL94-HB FLAMMABILITY RATING (UL FILE #E56070)
- SERVICE TEMPERATURE RANGE: -40°C TO +80°C



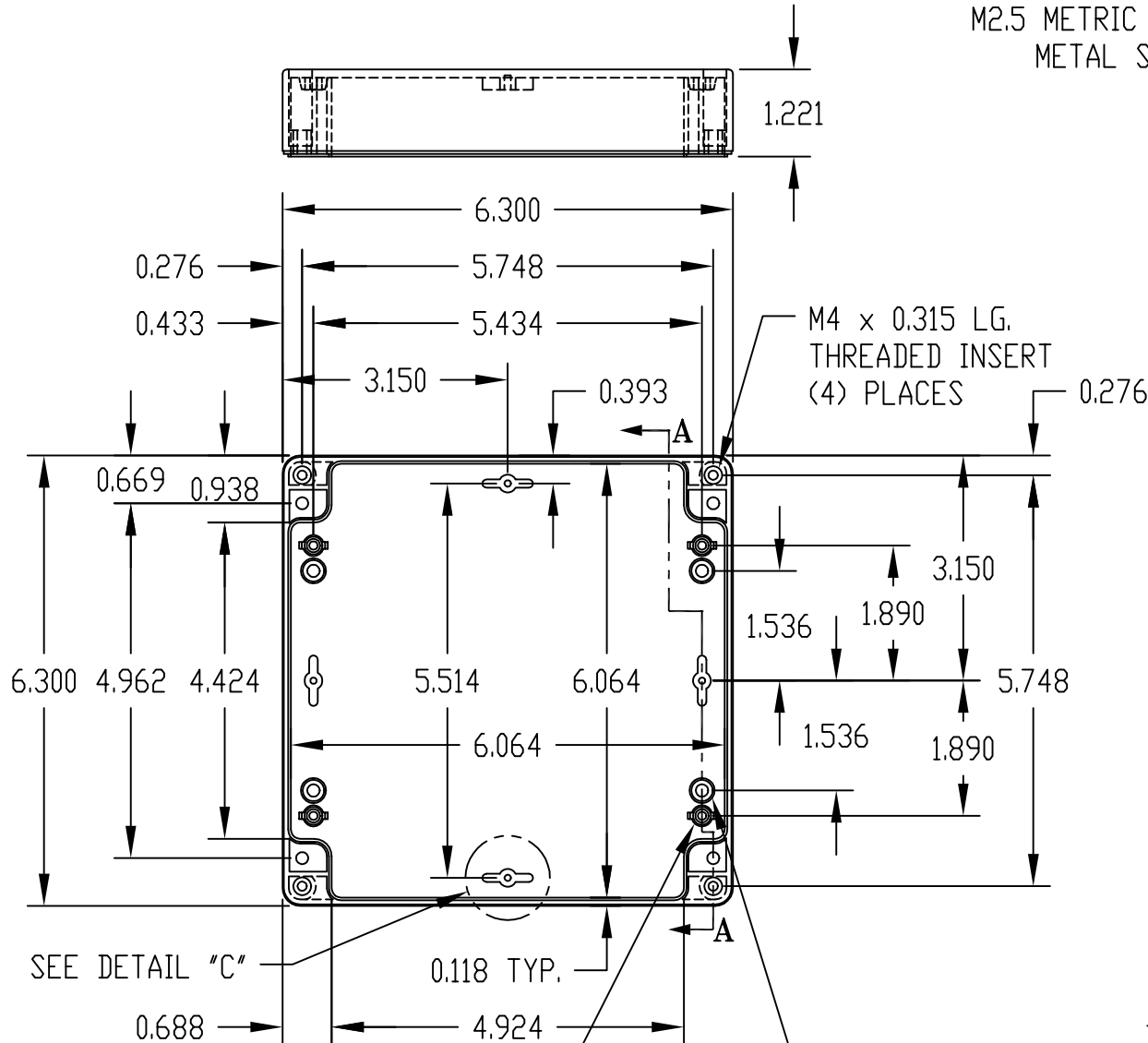
0.090 DIA. HOLE x 0.203 DEEP  
MOUNTING BOSSES USE EITHER  
M2.5 METRIC OR #4 STD. SHEET  
METAL SCREWS x 0.188 LG.  
(NOT SUPPLIED)

**DETAIL "C"**  
(4) PLACES



SILICONE GASKET  
(CLEAR)

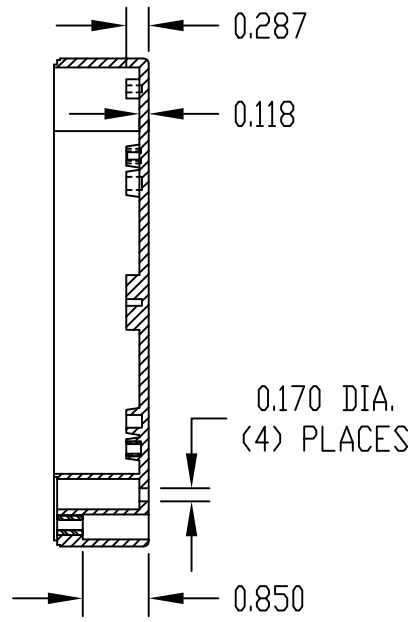
**DETAIL "D"**



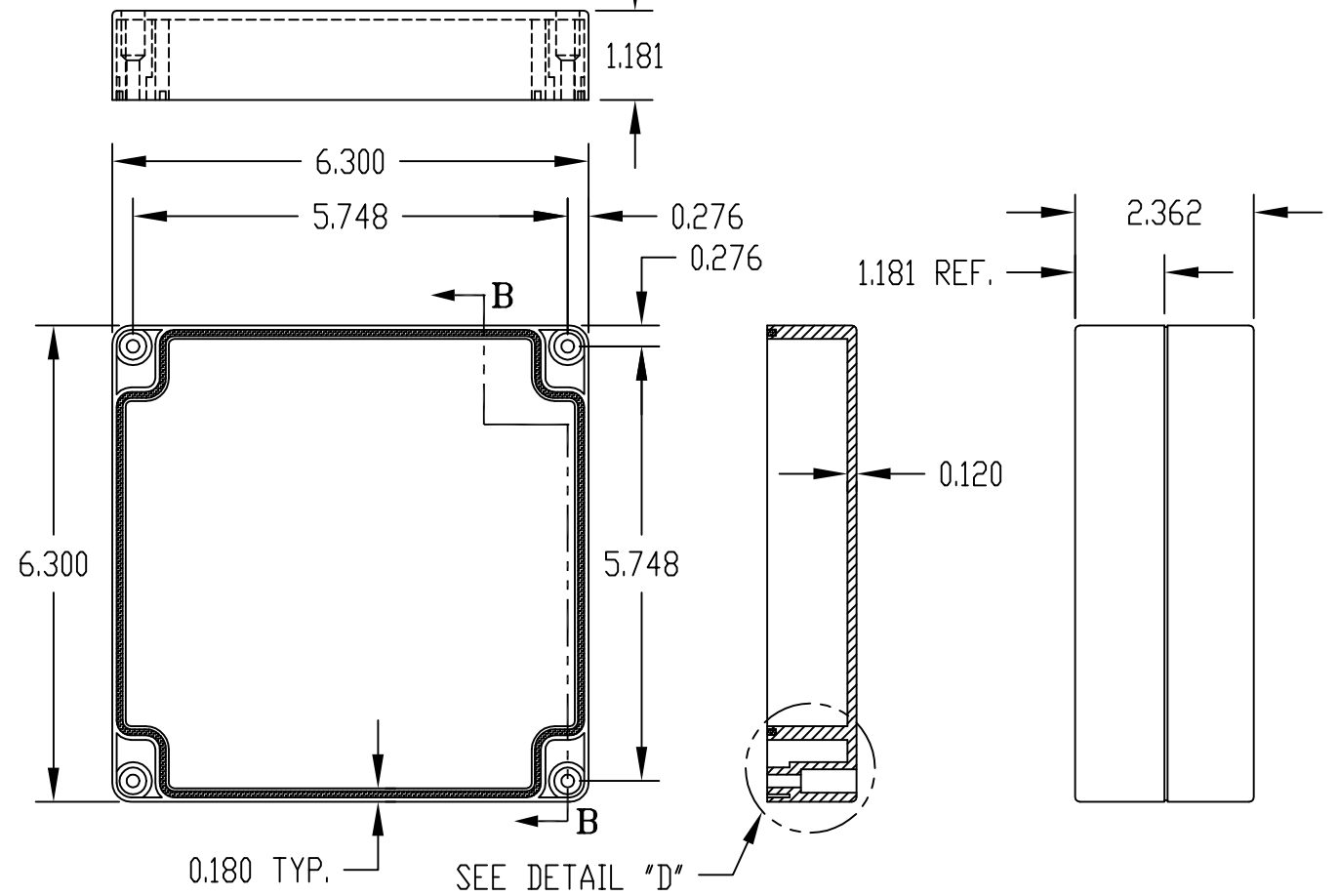
**BODY**

0.250 DIA. BOSS WITH  
M3 x 0.188 LG.  
THREADED INSERT  
(4) PLACES  
(SCREWS NOT SUPPLIED)

0.298 DIA. BOSS WITH  
0.174 DIA. HOLE x 0.203 DEEP  
(4) PLACES  
MOUNTING BOSSES USE EITHER  
M5 METRIC OR #10 STD. SHEET  
METAL SCREWS x 0.312 LG.  
(NOT SUPPLIED)



**SECTION "A-A"**



**COVER**

**SECTION "B-B"**

NOTE: ALL DIMENSIONS HAVE ±0.015 TOLERANCE UNLESS OTHERWISE SPECIFIED.

PART NUMBER	MATERIAL		FINISH		HARDWARE KIT
	BODY	COVER	BODY	COVER	
PN-1338	POLYCARBONATE		LIGHT GRAY		KIT CONTAINS (4) M4 x 20mm (0.787") LG. SCREWS FOR ASSEMBLY
PN-1338-C	POLYCARBONATE		LIGHT GRAY	CLEAR	
PN-1338-DG	HIGH-IMPACT ABS		DARK GRAY		