

DESCRIPTION: 979 SERIES D-SUB BACKSHELL - DIE CAST

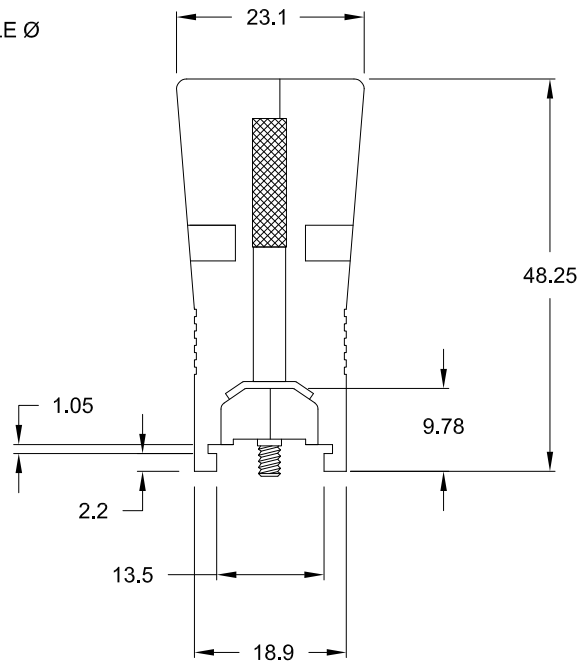
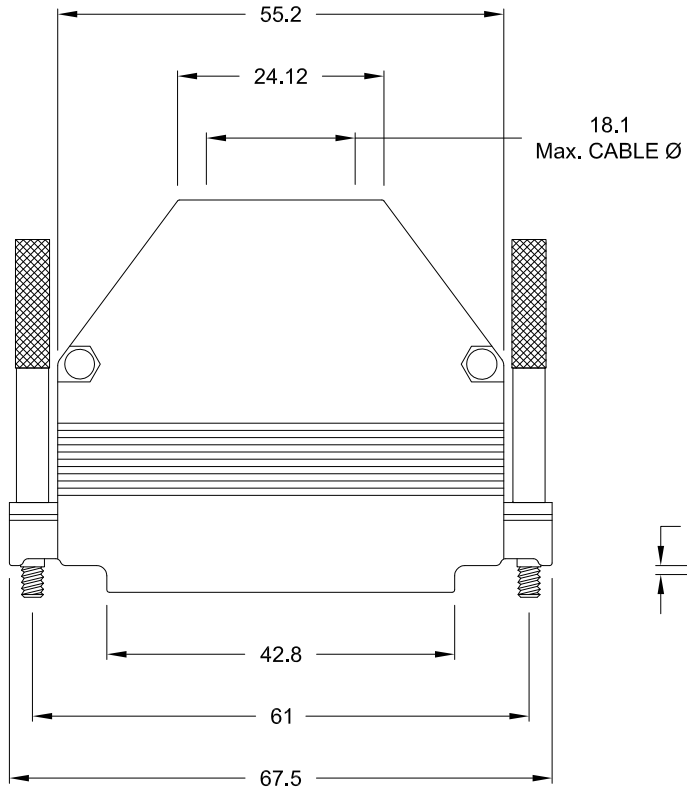
ALL TOLERANCES =  $\pm 0.3$   
UNLESS OTHERWISE INDICATED

DESIGNED TO ACCOMMODATE STANDARD:  
D-SUB - Shell Size 5

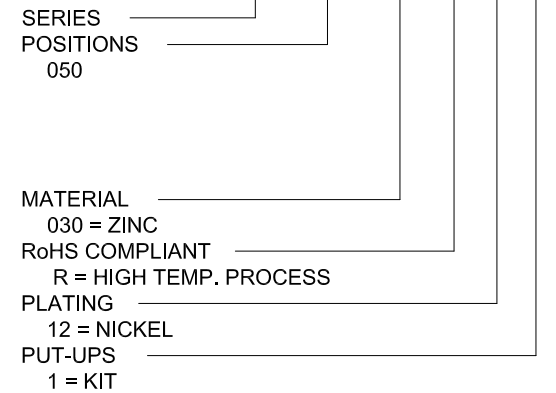
**BACKSHELL KIT INCLUDES:**

- 2 - BACKSHELL HALVES
- 2 - 4-40 THUMBSCREWS
- 2 - SADDLE WASHERS
- 2 - HOUSING SCREWS
- 2 - HOUSING NUTS
- 2 - MATING SCREWS
- 1 - GROMMET TREE - VARIOUS SIZES  
(NON-CONDUCTIVE GROMMETS)

MATERIAL: DIE-CAST ZINC ALLOY  
PLATING: NICKEL  
OPERATING TEMPERATURE: -45°C TO +120°C



**979-050-030 R 12 1**



UNITS = mm

**DO NOT SCALE FROM DRAWING**

**RoHS COMPLIANT**

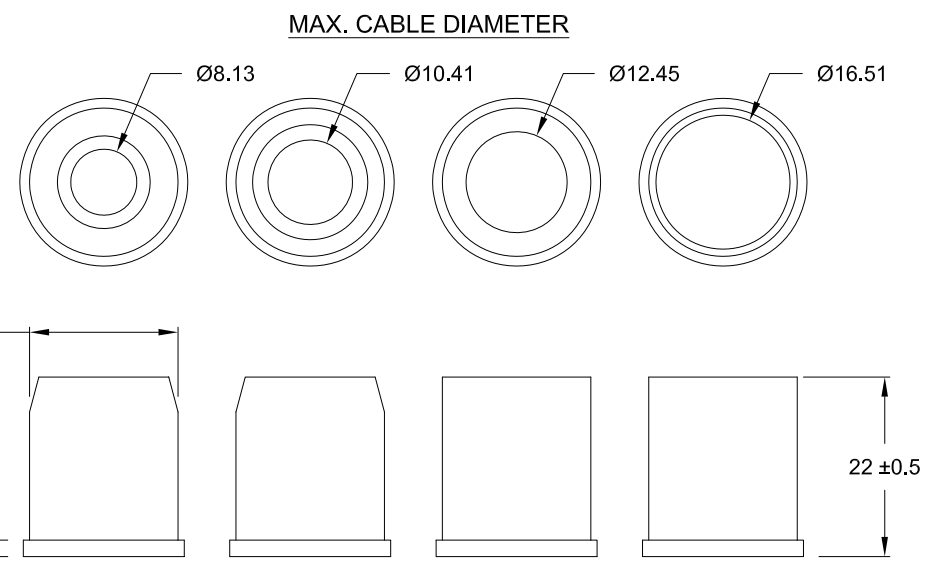
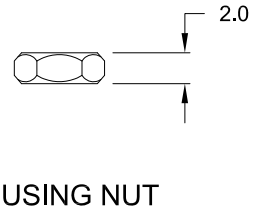
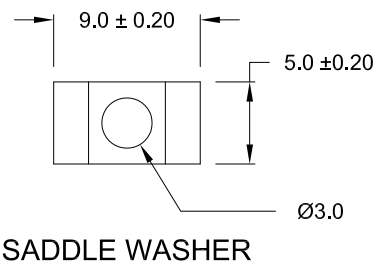
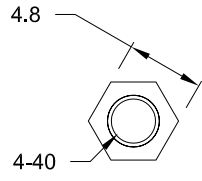
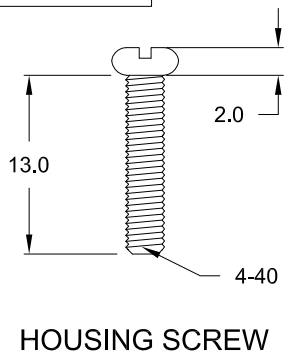
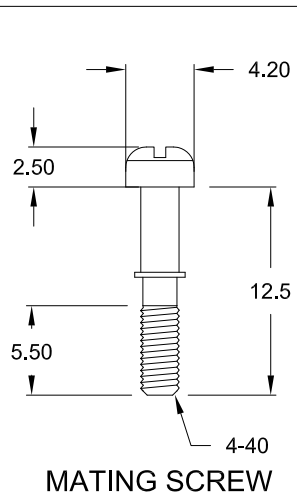


THESE DRAWINGS AND SPECIFICATIONS ARE THE PROPERTY OF NorComp AND SHALL NOT BE REPRODUCED, COPIED OR USED AS THE BASIS FOR THE MANUFACTURE OF SALE OF APPARATUS WITHOUT WRITTEN PERMISSION.

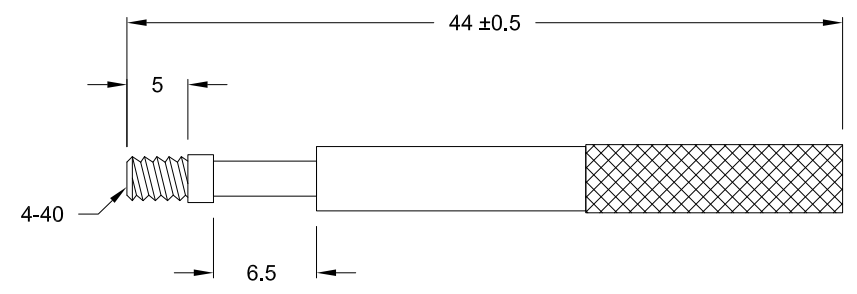
**NorComp**

DRAWN: C. SMITH		DATE: 04-20-10	
SCALE: NTS	SHEET 1 OF 2	REV 6	
DWG NO. 979-050-030R121			

DESCRIPTION: 979 SERIES D-SUB BACKSHELL - HARDWARE



MATERIAL: NON CONDUCTIVE PVC - BLACK  
P/N: 162-000-050R000



ALL HARDWARE:  
MATERIAL = STEEL  
PLATING = NICKEL

DO NOT SCALE FROM DRAWING

RoHS COMPLIANT

UNITS = mm

	THESE DRAWINGS AND SPECIFICATIONS ARE THE PROPERTY OF NorComp AND SHALL NOT BE REPRODUCED, COPIED OR USED AS THE BASIS FOR THE MANUFACTURE OF SALE OF APPARATUS WITHOUT WRITTEN PERMISSION.		DRAWN: <b>C. SMITH</b>	DATE: <b>04-20-10</b>
	NorComp		SCALE: <b>NTS</b>	SHEET <b>2</b> OF <b>2</b>
DWG NO. <b>979-050-030R121</b>				