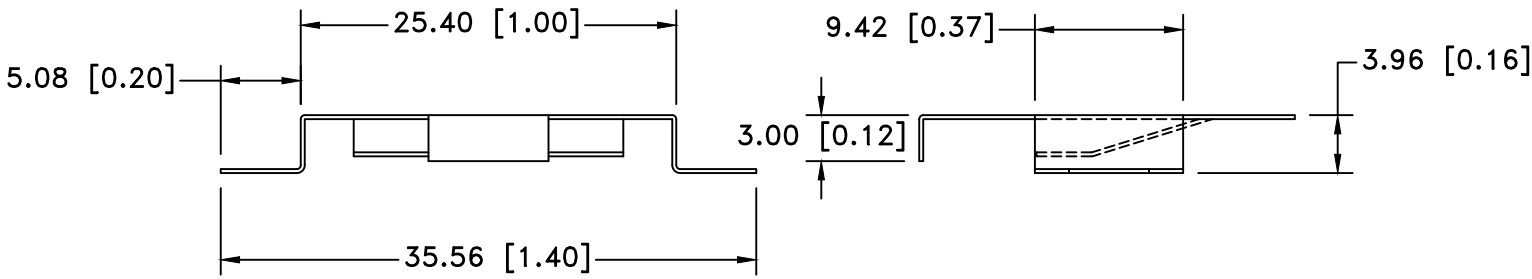
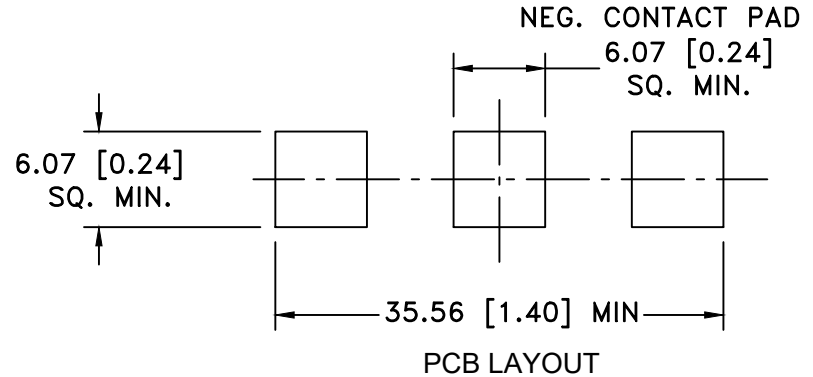
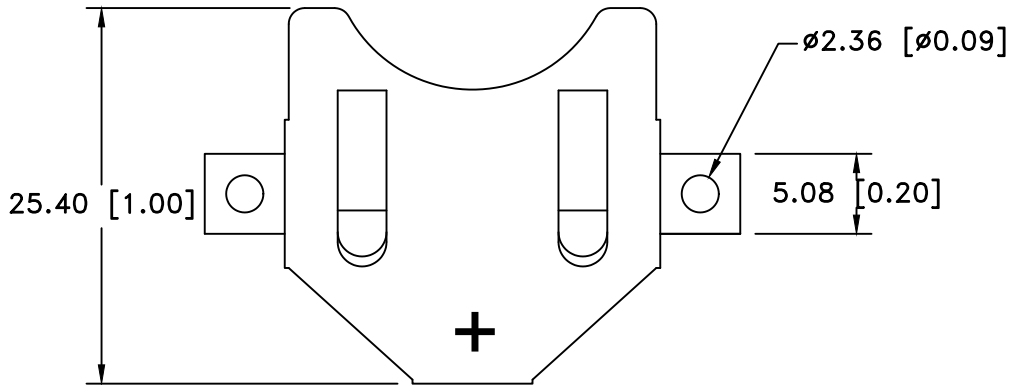



| Date | SYM | REVISION RECORD | AUTH | DR. | CK. |
|----------|-----|--------------------------|------|------|-----|
| 12/12/19 | E | Added weight of the part | T.B. | B.S. | |
| | | | | | |
| | | | | | |
| | | | | | |



NOTES:

- MATERIAL:
0.25mm PHOSPHOR BRONZE, NICKEL PLATED.
- ROHS COMPLIANT
- Approximate weight: 1.42g

| | | | |
|--------------------------------|---|--------------------------|---------------|
| Tolerance (Except as noted) |  Memory Protection Devices, Inc 200 Broad Hollow Road, Farmingdale, New York 11735 | | |
| decimal ±.5 (.020) | | Scale | Drawn By B.S. |
| Fractional ± .8 (.030) | Title COIN CELL RETAINER FOR 24mm DIA. BATTERIES | | |
| Angular ± 3° | Date 12/12/19 | Drawing Number BK-886 | |

| CELL SIZE | RETAINS BATTERY NUMBERS |
|-----------|-------------------------|
| 24mm | CR2430, DL2430 |