

DESCRIPTION: M5 FEMALE - CABLE MOUNT - SOLDER CUP - 3 POSITION

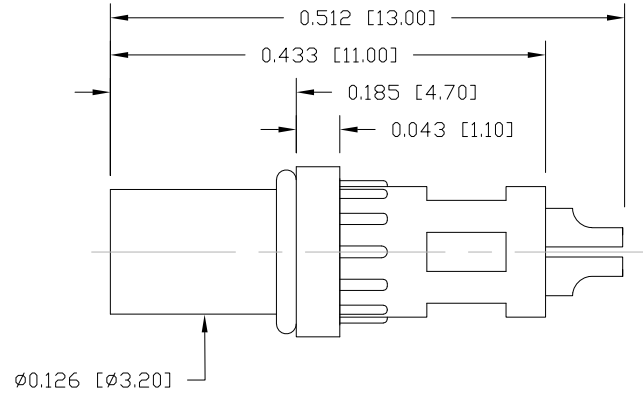
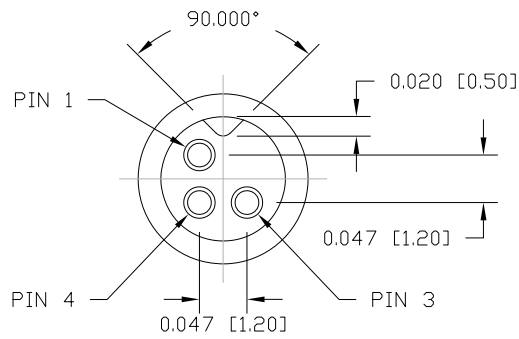
NOTE:

MATERIAL

HOUSING: TPU, BLACK
 CONTACT: BRASS
 NUT: BRASS
 O-RING: NBR, BLACK
 FINISH CONTACT: GOLD PLATED
 OVER 50µ NICKEL
 NUT: NICKEL

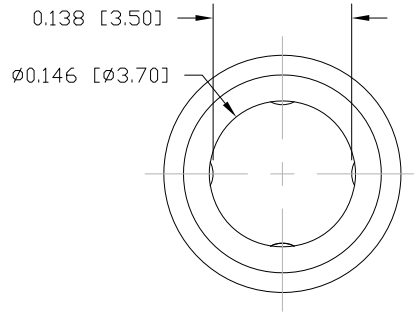
ELECTRICAL

RATED CURRENT: 1A
 RATED VOLTAGE: 60V
 INSULATION RESISTANCE: 100 MΩhms MIN.
 CONTACT RESISTANCE: 10 mΩhms MAX.
 WATER PROOF: IP67
 ENVIRONMENT OPERATION TEMPERATURE: -40°C TO +85°C
 WIRE GAUGE: 28 AWG MAX RECOMMENDED

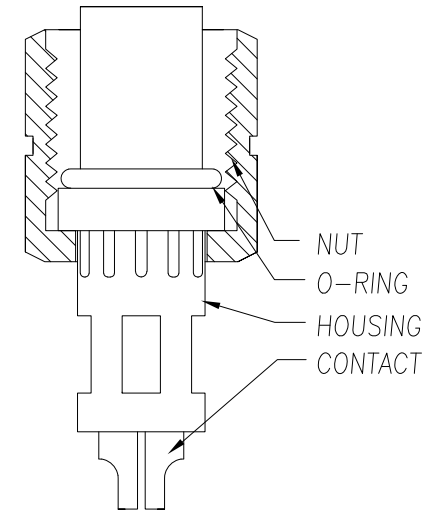
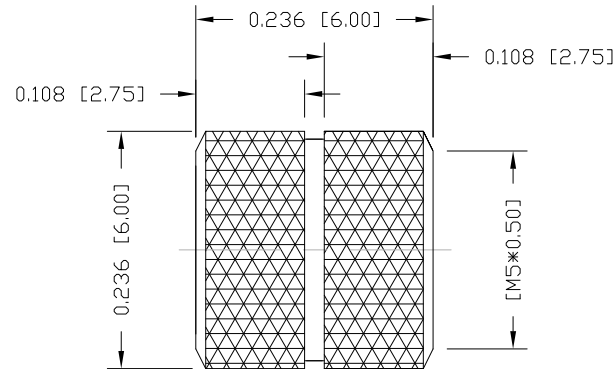


850-003-203RLUY

1 = GOLD FLASH
 4 = 10µ" GOLD



NUT



RoHS COMPLIANT

UNITS = inch [mm]

DO NOT SCALE FROM DRAWING



THESE DRAWINGS AND SPECIFICATIONS ARE THE PROPERTY OF NorComp AND SHALL NOT BE REPRODUCED, COPIED OR USED AS THE BASIS FOR THE MANUFACTURE OR SALE OF APPARATUS WITHOUT WRITTEN PERMISSION.

DRAWN:

M. SIGMON

DATE:

03-03-16

NorComp

SCALE: NTS

SHEET 1 OF 1

REV 9

DWG NO.

850-003-203RLUY