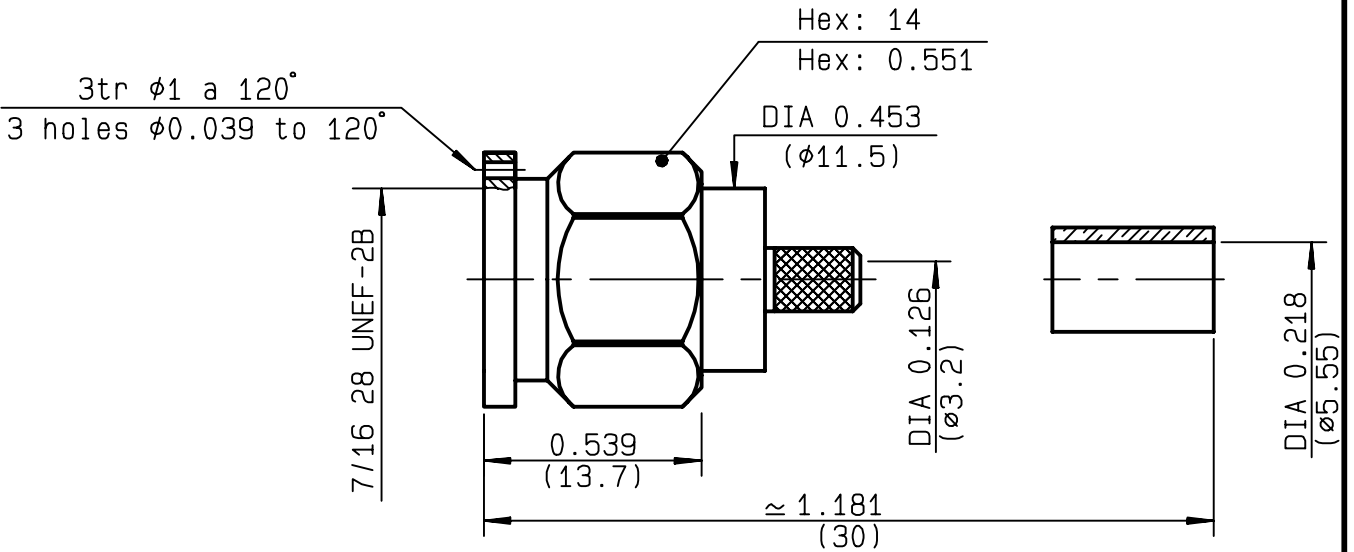


**STRAIGHT PLUG CRIMP TYPE
CABLE 5/50 D**

R143.082.700
SERIES TNC-P



NOMINAL IMPEDANCE	50 Ω
FREQUENCY RANGE	0-12.4 GHz
TEMPERATURE RATING	-65/+165 °C
V.S.W.R	1.30 + 0 x F(GHz)Maxi
RF INSERTION LOSS	0.06 √F(GHz) dB Maxi
VOLTAGE RATING	500 Veff Maxi
DIELECTRIC WITHSTANDING VOLTAGE	1500 Veff Mini
INSULATION RESISTANCE	5000 MΩMini
HERMETIC SEAL	NA Atm.cm ³ /s
LEAKAGE (pressurized only)	NA
MECHANICAL DURABILITY	500 Cycles
WEIGHT	13.94 gr
SPECIFICATION	

CABLES : **KX 23**
RG 142
RG 142 FTX
RG 223
RG 400

OTHERS CHARACTERISTICS

CABLE RETENTION	180 N Mini
CENTER CONTACT RETENTION	
Axial force - mating end	27 N Mini
Axial force - opposite end	27 N Mini
Torque	NA cm.N Mini
RECOMMENDED TORQUES	
Mating	265 cm.N
Panel nut	NA cm.N
Clamp nut	NA cm.N

CONNECTOR PARTS:	MATERIALS	FINISH	(all values are given) in micrometers
BODY	STAINLESS STEEL	PASSIVATED	
OUTER CONTACT	STAINLESS STEEL		
CENTER CONTACT	BRASS	GOLD 0.5 OVER NICKEL 2	
INSULATOR	PTFE	-	
GASKET	SILICONE RUBBER	-	
OTHERS PIECES	STAINLESS STEEL	GOLD 2.5	

ISSUE	CREATION DATE	FILE PART-NUMBER
9845C02	12/04/1979	



RADIALL®

GANZAROLLI

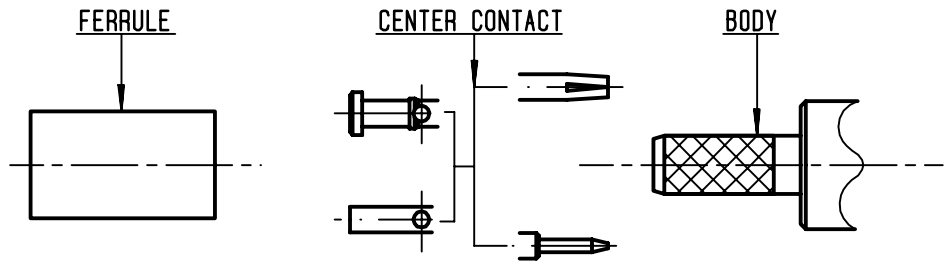
The information given here is subject to change without notice.
Design changes may be in order to improve the product .

Connect to the future



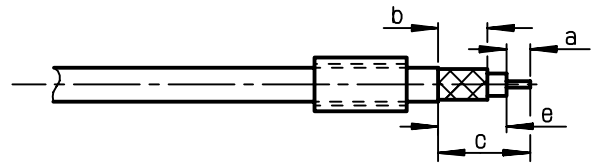
R143.082.700

ISSUE **9845C02** SERIES **TNC-P**



①

Slide ferrule onto cable
Strip the cable .

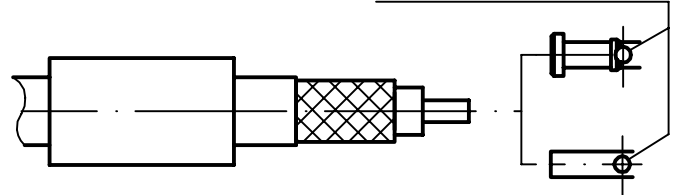


Stripping	a	b	c	d	e
inch	0.098	0.256	0.413	0	0
mm	2.5	6.5	10.5		

②

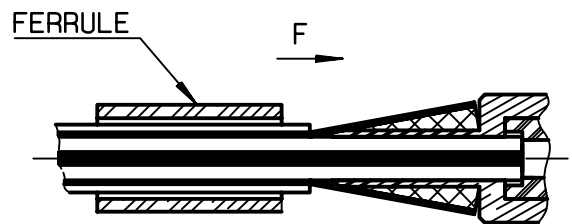
Slide center contact on until it bottoms against cable dielectric .
Solder or crimp center contact .
Crimping tool : R282 223 000 (Hex. :1,73)
or R282 293 000 (M22520/5-01)
+ dies R282 235 011 (M22520/5-11) .

SOLDER / CRIMPING



③

Fan the braid .
Slide cable into the body until bottoms against insulator .
Slide ferrule over the braid .
(In direction F)



④

Crimp the ferrule with crimping tool
R 282 223 000 (Hex. : 5.4)
or R282 293 000 (M22520/5-01)
+ dies R282 235 011 (M22520/5-11)

