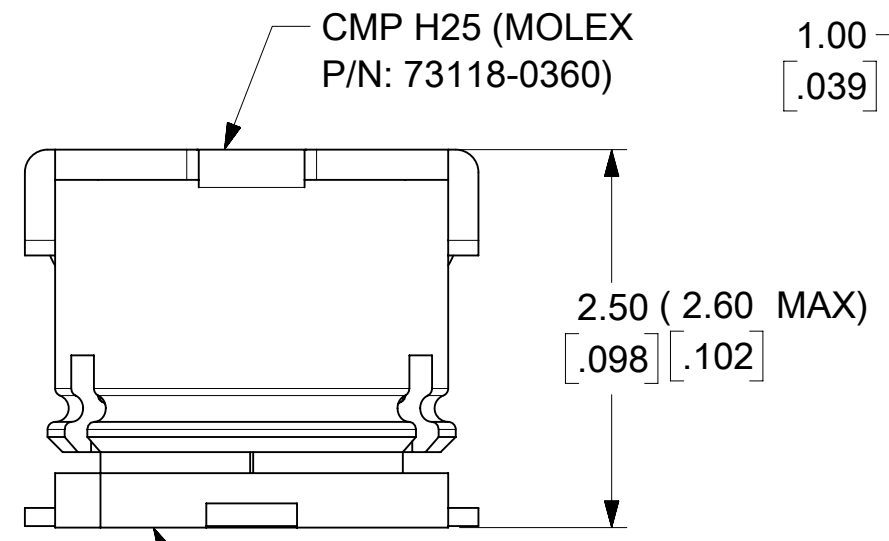
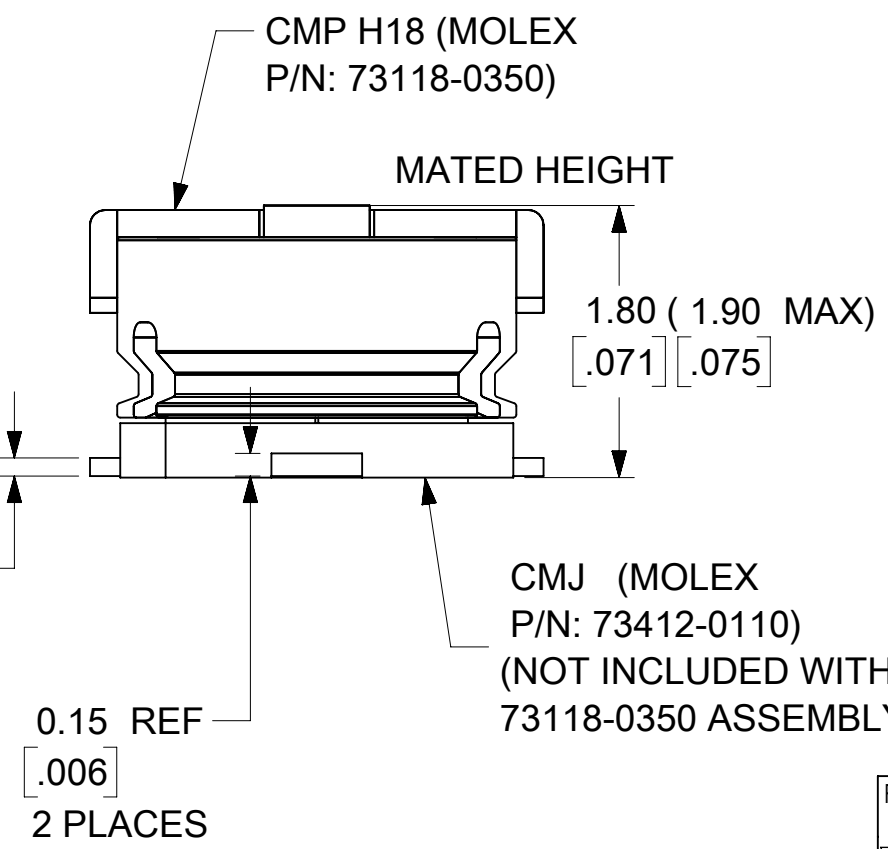
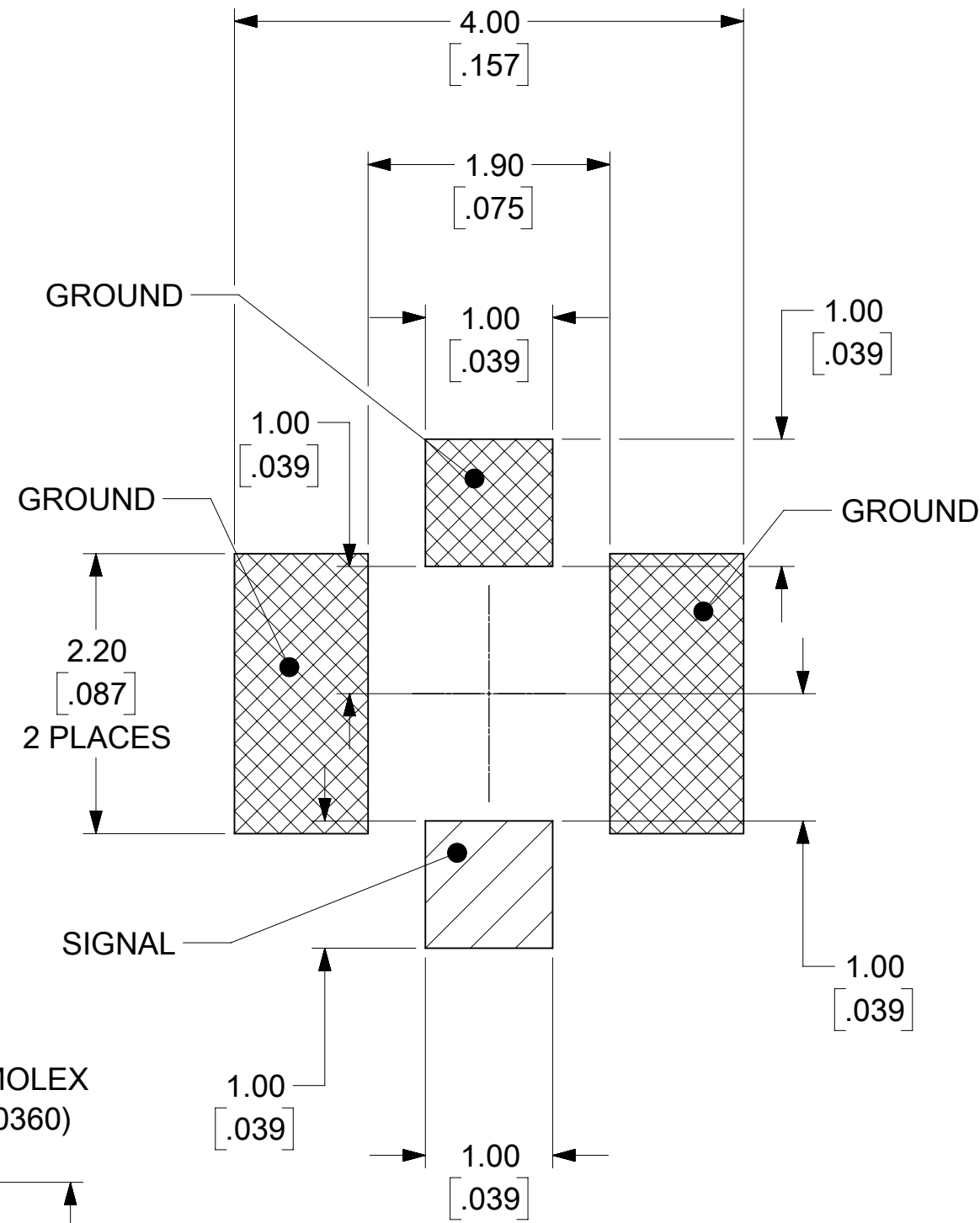
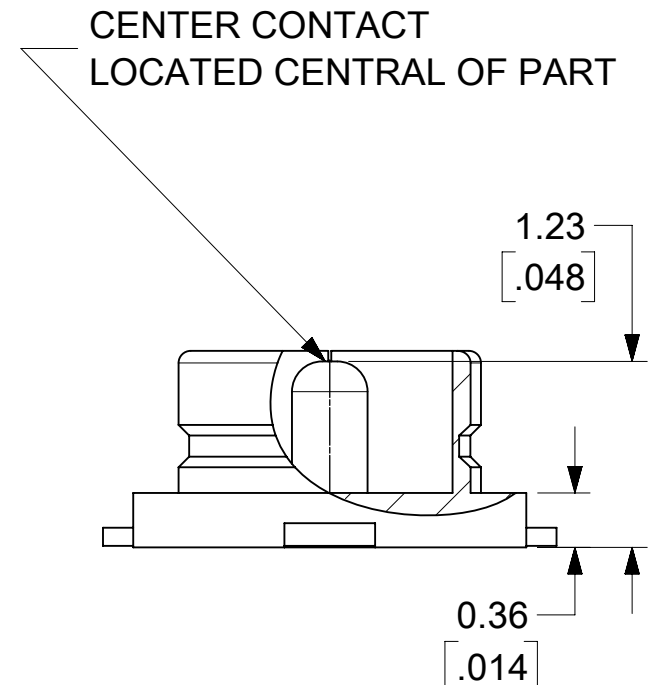
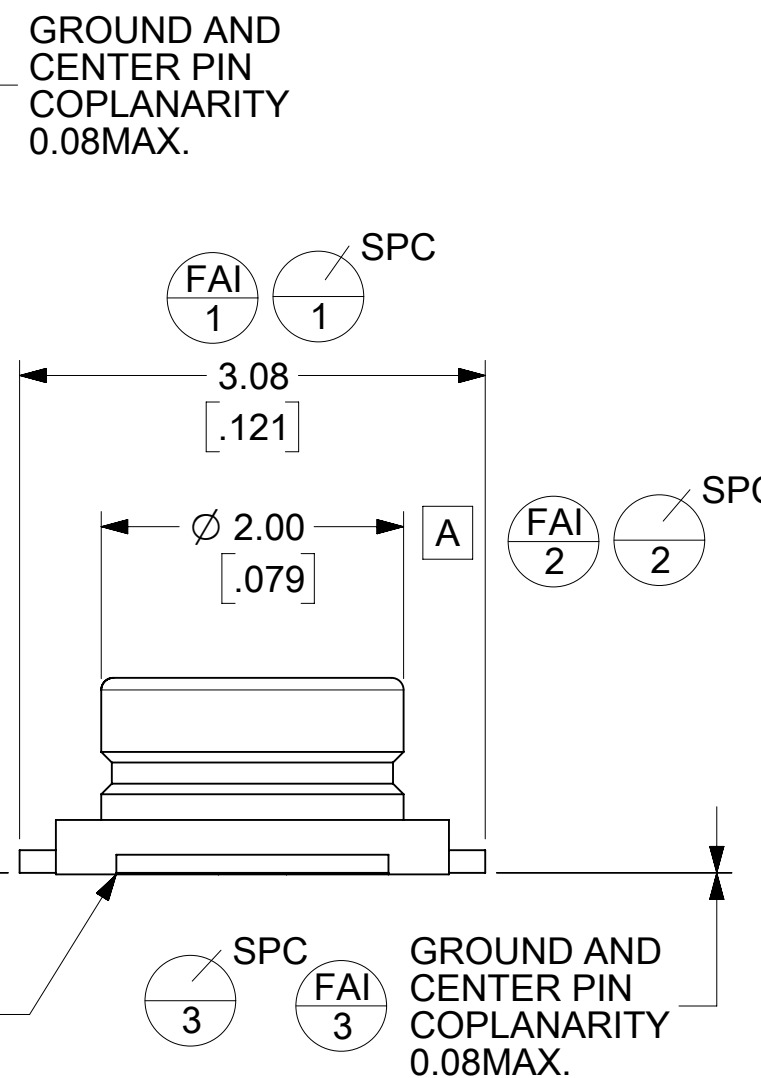
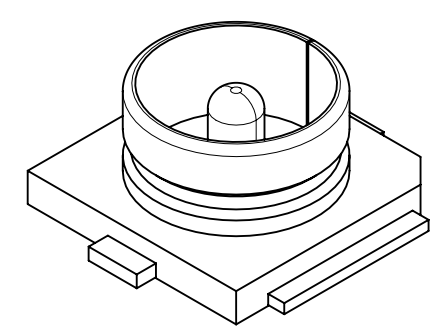


MATERIAL AND FINISHES:

BASE: LCP SIVERAS L304T40B
 CONTACT: BRASS
 C2680 (t=0.15)
 PLATED: GOLD (0.03 MICROMETER MINIMUM) OVER
 NICKEL (1~4 MICROMETER)
 OUTER CONTACT: PHOSPHOR BRONZE(JIS 5191-SH)
 C5210(t=0.12)
 PLATED: GOLD (0.03 MICROMETER MINIMUM) OVER
 NICKEL (1~4 MICROMETER)

WILL WITHSTAND REFLOW
 TEMPERATURE OF
 260 DEG C 40 SEC MAXIMUM

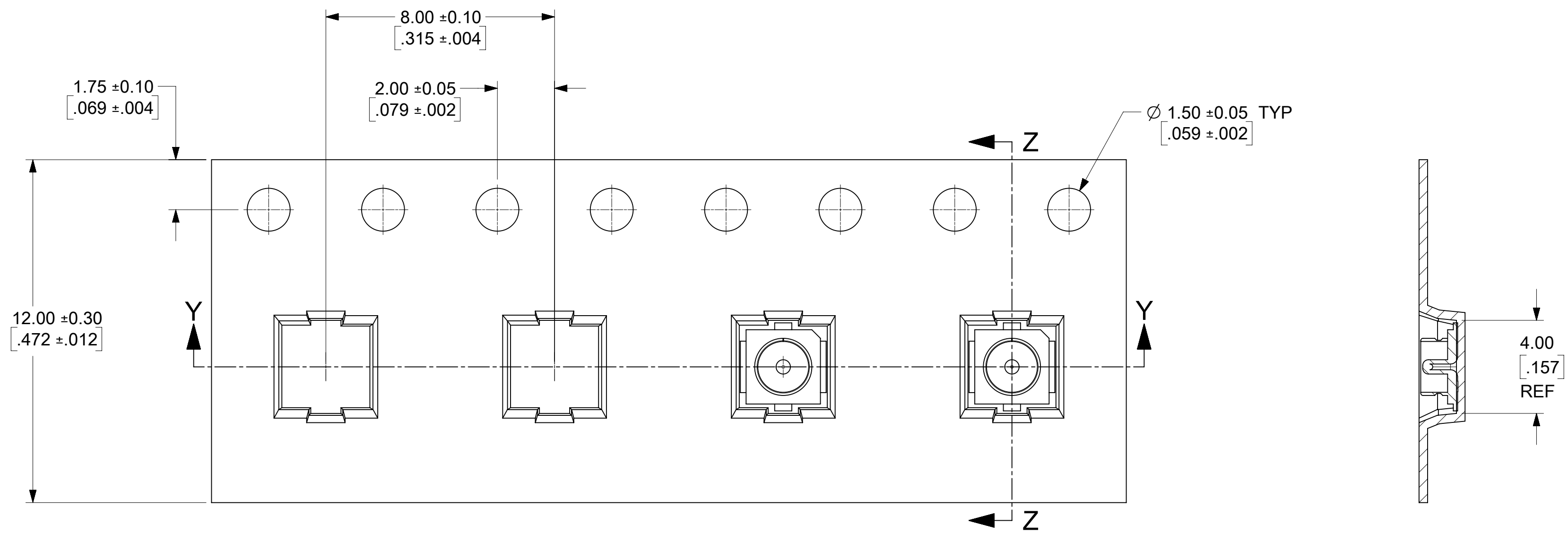
VSWR
 DC-3GHz: 1.18 MAX
 DC-6GHz: 1.30 MAX



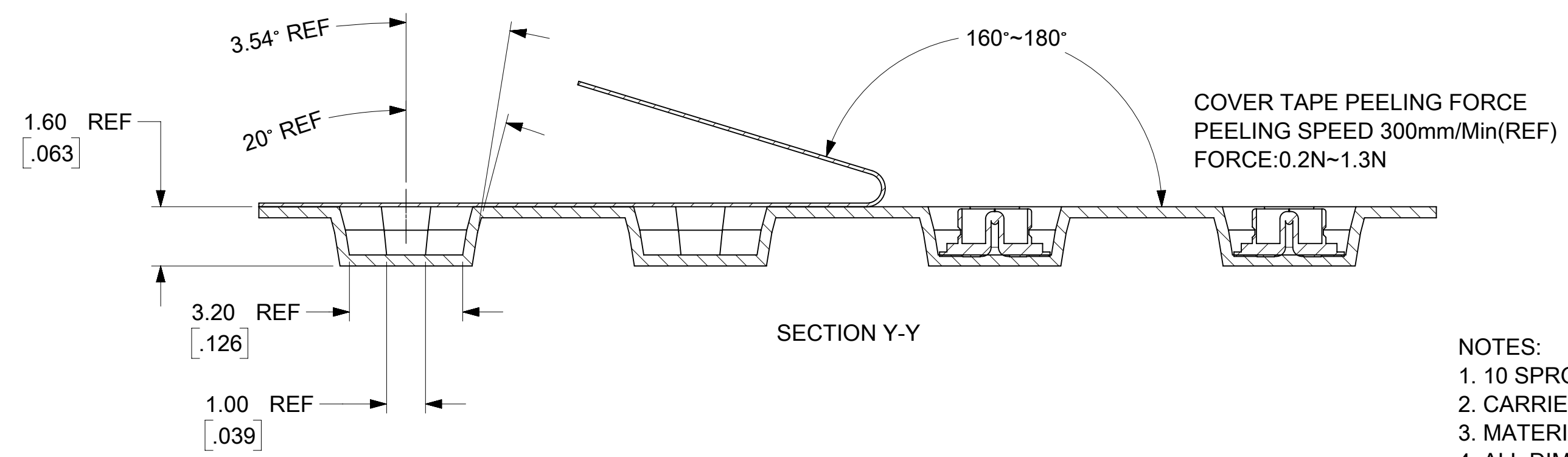
73412-0116	BAG (500 SETS)
73412-0114	TAPE AND REEL (1K/REEL)
73412-0110	TAPE AND REEL (5K/REEL)
PART NO.	PACKAGING

FUNCTIONAL SYMBOLS	THIS DRAWING CONTAINS INFORMATION THAT IS PROPRIETARY TO MOLEX ELECTRONIC TECHNOLOGIES, LLC AND SHOULD NOT BE USED WITHOUT WRITTEN PERMISSION	
	DIMENSION UNITS	SCALE
\overline{A} = 0	MM/INCH	NTS
\overline{E} = 0	GENERAL TOLERANCES (UNLESS SPECIFIED)	
	ANGULAR TOL	± 2.0°
\overline{P} = 0	4 PLACES	±
	3 PLACES	±
DIVISIONAL SYMBOLS	2 PLACES	± 0.25
	1 PLACE	± 0.13
0 PLACES	±	
DRAFT WHERE APPLICABLE MUST REMAIN WITHIN DIMENSIONS		THIRD ANGLE PROJECTION
DRAWING		SERIES
C-SIZE		73412
CURRENT REV DESC:		EC NO: 659677
EWR-14242-J ADDED LABEL FORMAT FOR 73412-0116		DRWN: JSU18 2021/03/24
INITIAL REVISION:		CHK'D: YCHENG 2021/04/06
DRWN: YCHENG 2005/03/15		APPR: YCHENG 2021/04/06
APPR: MHUANG 2005/03/21		DOCUMENT NUMBER
SD-73412-011		DOC TYPE DOC PART REVISION
PSD 001 C18		MATERIAL NUMBER
SEE TABLE		CUSTOMER
GENERAL MARKET		SHEET NUMBER
1 OF 4		

PS-73598-0210	PROD SPEC
SPECIFICATION	DESCRIPTION
DOCUMENT STATUS	P1
RELEASE DATE	2021/04/06 01:47:36



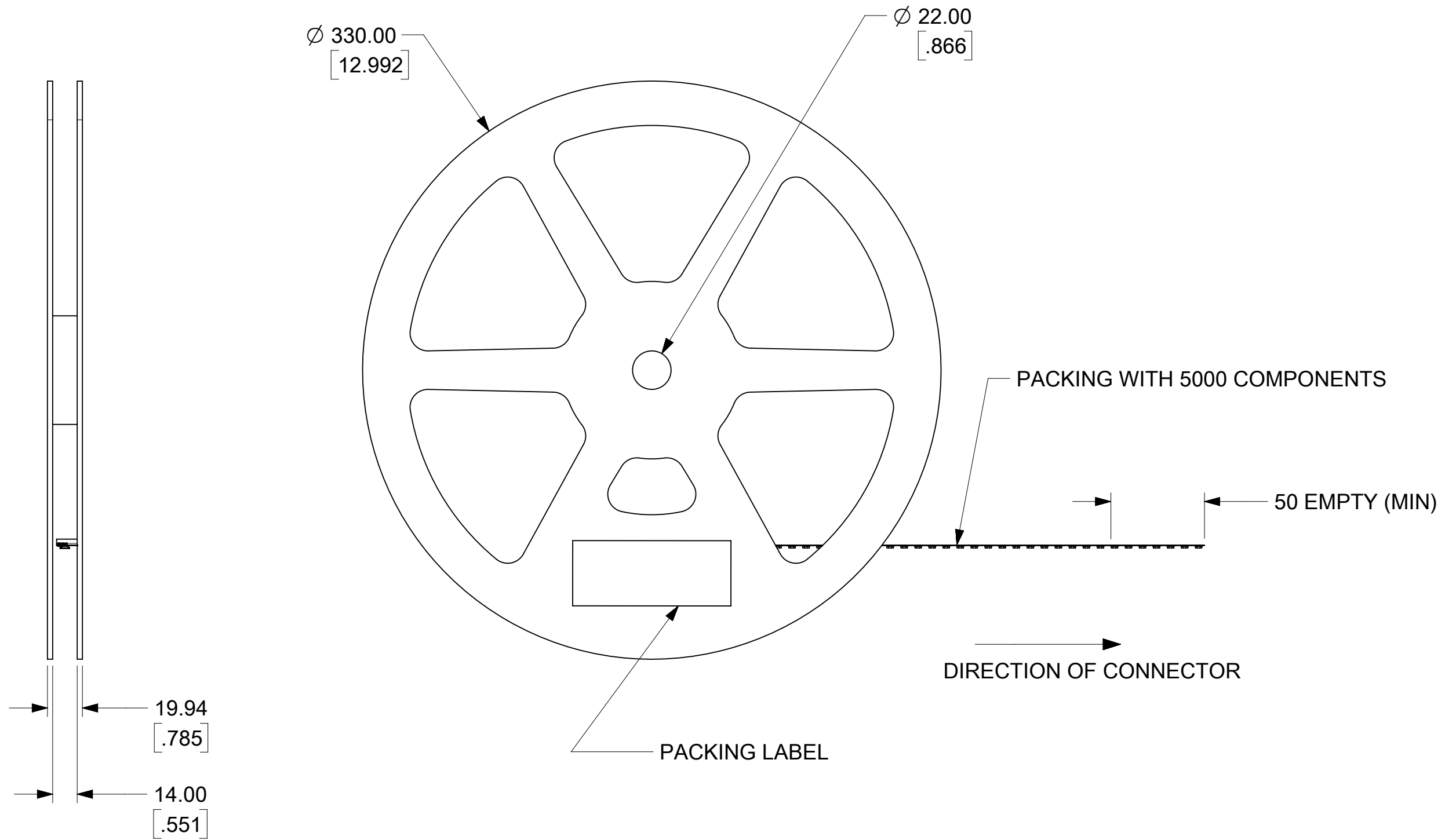
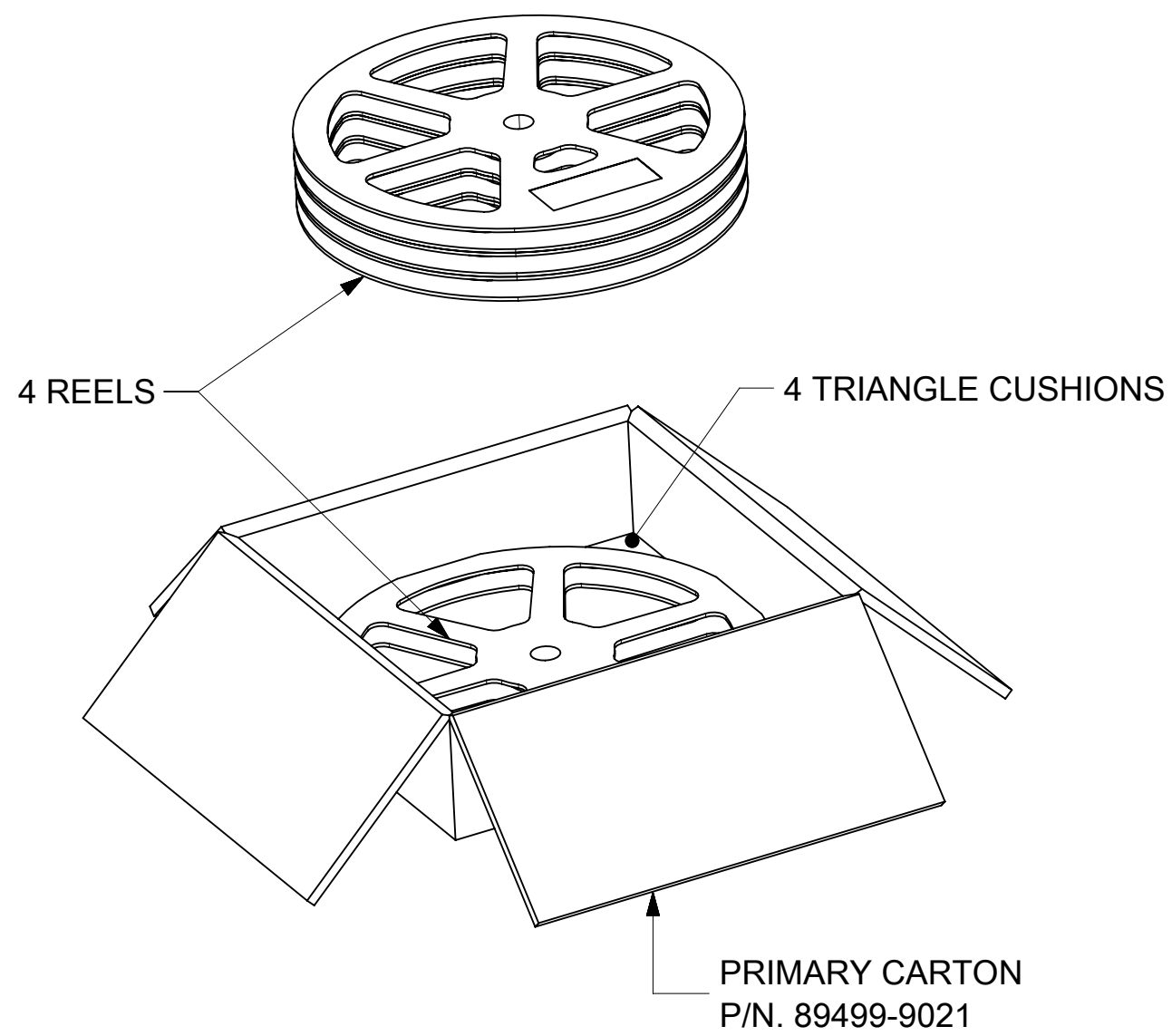
SECTION Z-Z



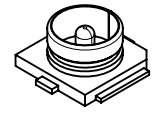
SECTION Y-Y

- NOTES:
- 10 SPROCKET HOLE PITCH CUMULATIVE TOLERANCE ±0.20mm
 - CARRIER CAMBER IS WITH 1mm IN 250mm
 - MATERIAL : TRANSPARENT POLYSTYRENE
 - ALL DIMENSIONS MEET EIA-481-1 REQUIREMENT
 - COMPONENT LOAD PER 13" REEL (5,000 PCS), COMPONENT LOAD PER 7" REEL (1,000 PCS),

FUNCTIONAL SYMBOLS $\nabla_A = 0$ $\nabla_C = 0$ $\nabla_P = 0$ DIVISIONAL SYMBOLS	THIS DRAWING CONTAINS INFORMATION THAT IS PROPRIETARY TO MOLEX ELECTRONIC TECHNOLOGIES, LLC AND SHOULD NOT BE USED WITHOUT WRITTEN PERMISSION		CURRENT REV DESC:		
	DIMENSION UNITS	SCALE	EWR-14242-J ADDED LABEL FORMAT FOR 73412-0116		
	MM/INCH	NTS	EC NO: 659677		
	GENERAL TOLERANCES (UNLESS SPECIFIED)		DRWN: JSU18 2021/03/24		
ANGULAR TOL ± 2.0°		CHK'D: YCHENG 2021/04/06		PRODUCT CUSTOMER DRAWING DOCUMENT NUMBER: SD-73412-011 DOC TYPE: PSD DOC PART: 001 REVISION: C18	
4 PLACES ±		APPR: YCHENG 2021/04/06			
3 PLACES ±		INITIAL REVISION:			
2 PLACES ± 0.25		DRWN: YCHENG 2005/03/15		MATERIAL NUMBER: SEE TABLE CUSTOMER: GENERAL MARKET SHEET NUMBER: 2 OF 4	
1 PLACE ± 0.13		APPR: MHUANG 2005/03/21			
0 PLACES ±		THIRD ANGLE PROJECTION	DRAWING	SERIES	
DRAFT WHERE APPLICABLE MUST REMAIN WITHIN DIMENSIONS			C-SIZE	73412	



FUNCTIONAL SYMBOLS	THIS DRAWING CONTAINS INFORMATION THAT IS PROPRIETARY TO MOLEX ELECTRONIC TECHNOLOGIES, LLC AND SHOULD NOT BE USED WITHOUT WRITTEN PERMISSION										
	DIMENSION UNITS	SCALE	CURRENT REV DESC:								<p>MCRF RECEPTACLE VERTICAL MCRF-J</p> <p>PRODUCT CUSTOMER DRAWING</p>
$\frac{F}{A} = 0$	MM/INCH	NTS	EWR-14242-J ADDED LABEL FORMAT FOR 73412-0116								
$\frac{F}{C} = 0$	GENERAL TOLERANCES (UNLESS SPECIFIED)		EC NO: 659677								
$\frac{F}{P} = 0$	ANGULAR TOL \pm 2.0°		DRWN: JSU18 2021/03/24								
DIVISIONAL SYMBOLS	4 PLACES \pm		CHK'D: YCHENG 2021/04/06								
	3 PLACES \pm		APPR: YCHENG 2021/04/06								
	2 PLACES \pm 0.25		INITIAL REVISION:								
	1 PLACE \pm 0.13		DRWN: YCHENG 2005/03/15								
0 PLACES \pm		APPR: MHUANG 2005/03/21									
DRAFT WHERE APPLICABLE MUST REMAIN WITHIN DIMENSIONS			THIRD ANGLE PROJECTION	DRAWING	SERIES	MATERIAL NUMBER	CUSTOMER	SHEET NUMBER			
				C-SIZE	73412	SEE TABLE	GENERAL MARKET	SD-73412-011	PSD 001	C18	



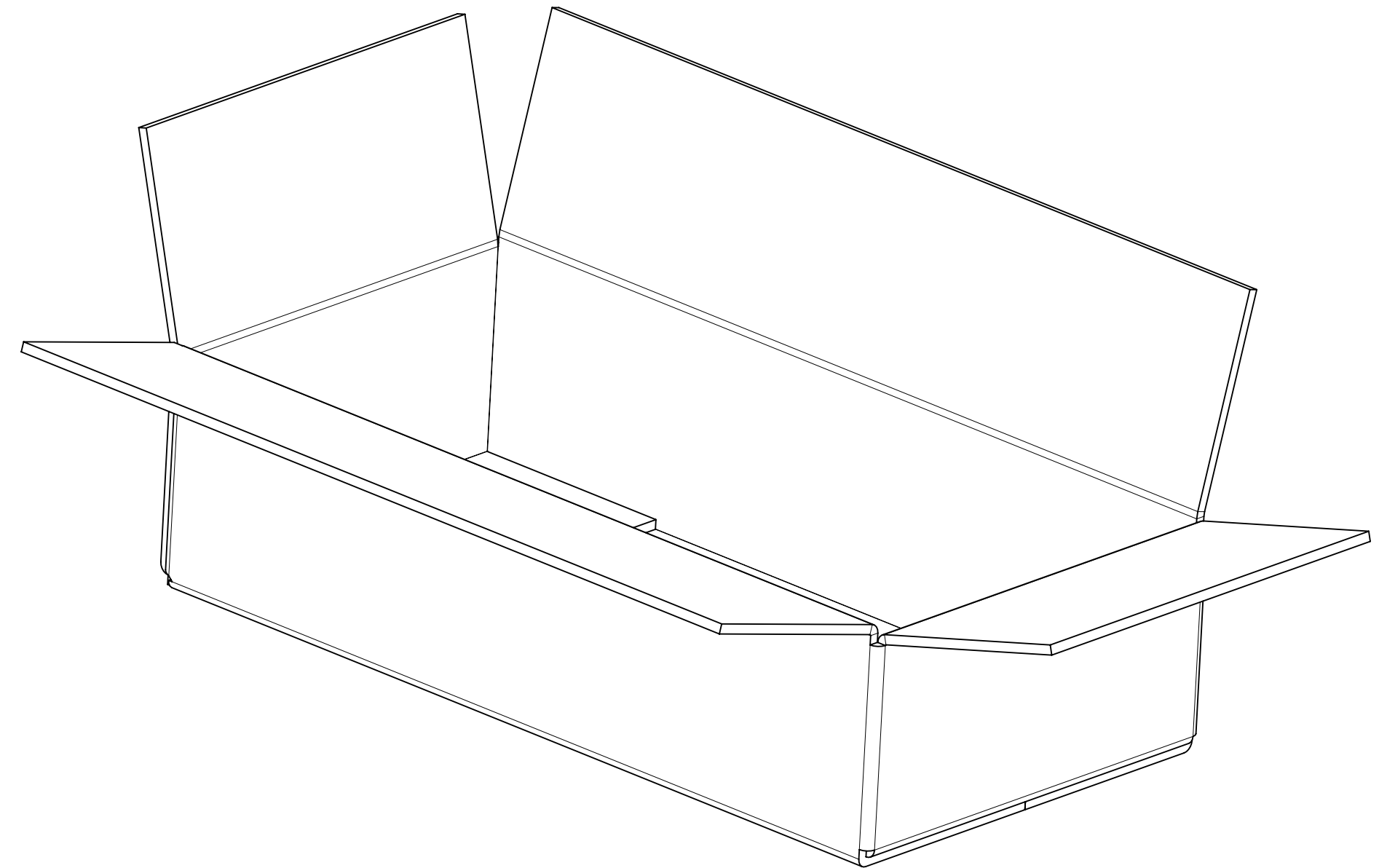
FOR 73412-0116 ONLY



10 SET PER POLYBAG
P/N: 89707-0318

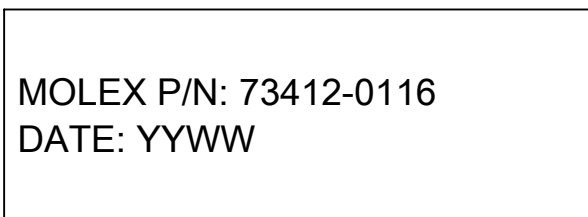


100 SET PER POLYBAG
P/N: 89707-0001



500 SET PER OUTER CARTON BOX
P/N: 96707-0003

LABEL WITH EACH BAG
FOR 73412-0116



THIS DRAWING CONTAINS INFORMATION THAT IS PROPRIETARY TO MOLEX ELECTRONIC TECHNOLOGIES, LLC AND SHOULD NOT BE USED WITHOUT WRITTEN PERMISSION												
FUNCTIONAL SYMBOLS	DIMENSION UNITS	SCALE	CURRENT REV DESC:						molex			
$\frac{F}{A} = 0$	MM/INCH	NTS	EWR-14242-J ADDED LABEL FORMAT FOR 73412-0116									
$\frac{F}{C} = 0$	GENERAL TOLERANCES (UNLESS SPECIFIED)		EC NO: 659677						MCRF RECEPTACLE VERTICAL MCRF-J			
$\frac{F}{P} = 0$	ANGULAR TOL $\pm 2.0^\circ$		4 PLACES \pm			DRWN: JSU18 2021/03/24			PRODUCT CUSTOMER DRAWING			
DIVISIONAL SYMBOLS	3 PLACES \pm		2 PLACES ± 0.25			CHK'D: YCHENG 2021/04/06			DOCUMENT NUMBER			
	1 PLACE ± 0.13		0 PLACES \pm			APPR: YCHENG 2021/04/06			DOC TYPE			
	DRAFT WHERE APPLICABLE MUST REMAIN WITHIN DIMENSIONS		THIRD ANGLE PROJECTION		DRAWING		SERIES		MATERIAL NUMBER		CUSTOMER	
					C-SIZE		73412		SD-73412-011		PSD 001 C18	
									GENERAL MARKET		SHEET NUMBER 4 OF 4	