

PART  
NAME

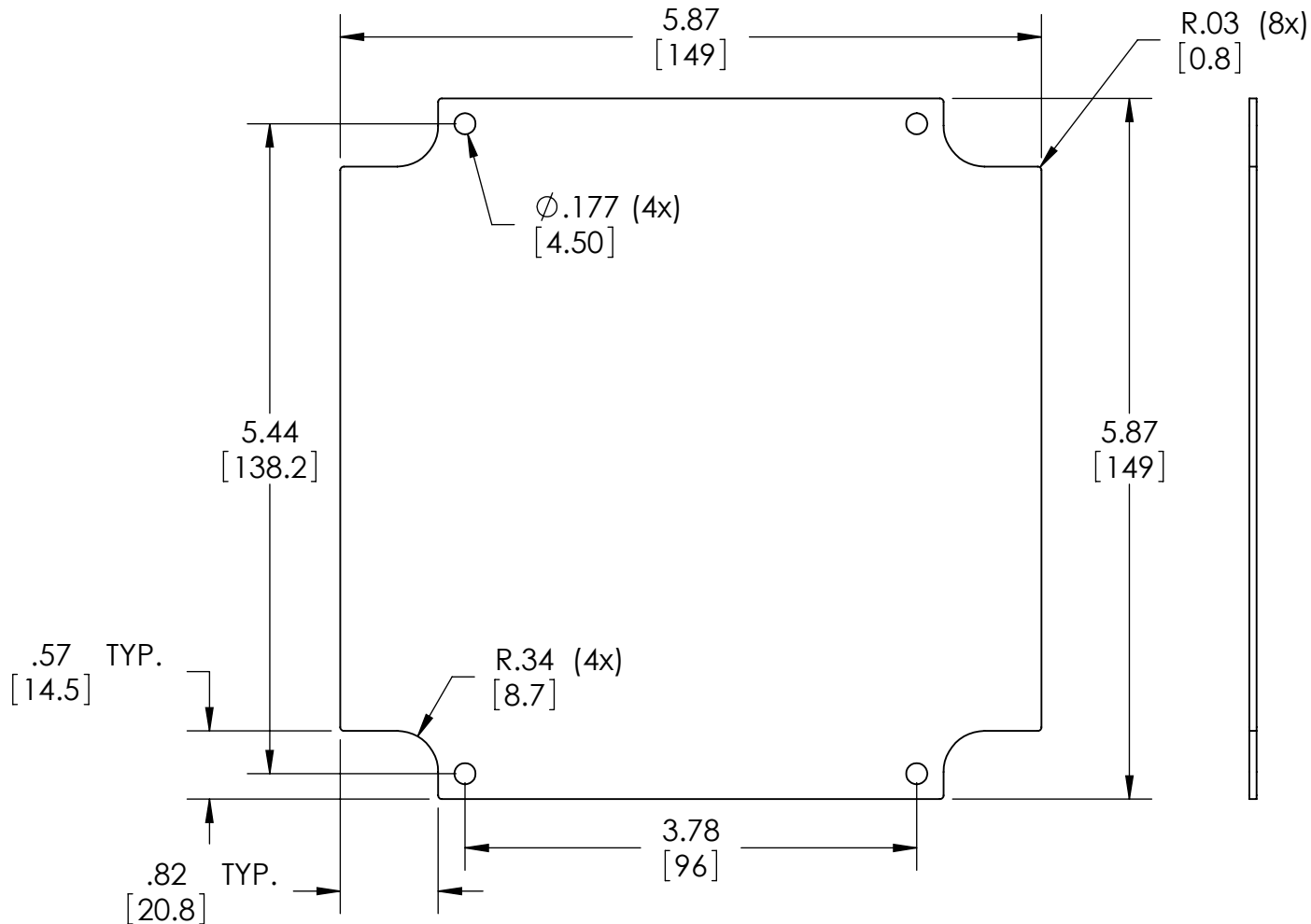
INTERNAL PANEL

PART  
No.

PNX-91438

REV.  
DATE

5-11-11



MATERIAL - .060 [1.5mm] THK. ALUMINUM

FINISH - NATURAL

SUPPLIED WITH M3x0.5 x 6mm LG. MACHINE SCREWS  
(PAN HD., PHILLIPS DRIVE, STEEL, ZINC PLATED) FOR  
MOUNTING.

PANEL FITS THE FOLLOWING ENCLOSURES:  
PN-1338, PN-1338-DG & PN-1338-C  
PN-1339, PN-1339-DG & PN-1339-C