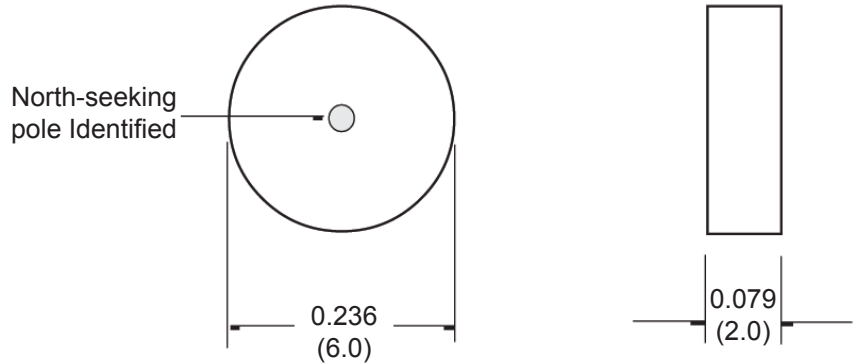


**Part Number: M1219-4**  
**Magnet - Bare**  
**Product Data Sheet**

**PICTURE**



**DIMENSIONS**



**✓ RoHS Compliant**

Drawings not to scale.  
 All dimensions in inches (mm) nominal.

**SPECIFICATION**

Magnet Material	Neodymium Iron Boron (NdFeB) Nickel plated
Distance (mm) at which magnets measure 1000 gauss	2.0
Surface flux measurement (gauss)	2500
Grade/Energy density	Grade N35H, max. energy density 35 MGOe
Operating temperature	120°C max.
Diameter	0.236"
Height	0.079"

NdFeb is a high energy material with exceptional resistance to demagnetization.

As part of the company policy of continued product improvement, specifications may change without notice. Our sales office will be pleased to help you with the latest information on this product range and the details of our full design and manufacturing service. All products are supplied to our standard conditions of sale unless otherwise agreed in writing.

**Phone: (1) 973 777 6900      www.comus-intl.com      Fax: (1) 973 777 8405**