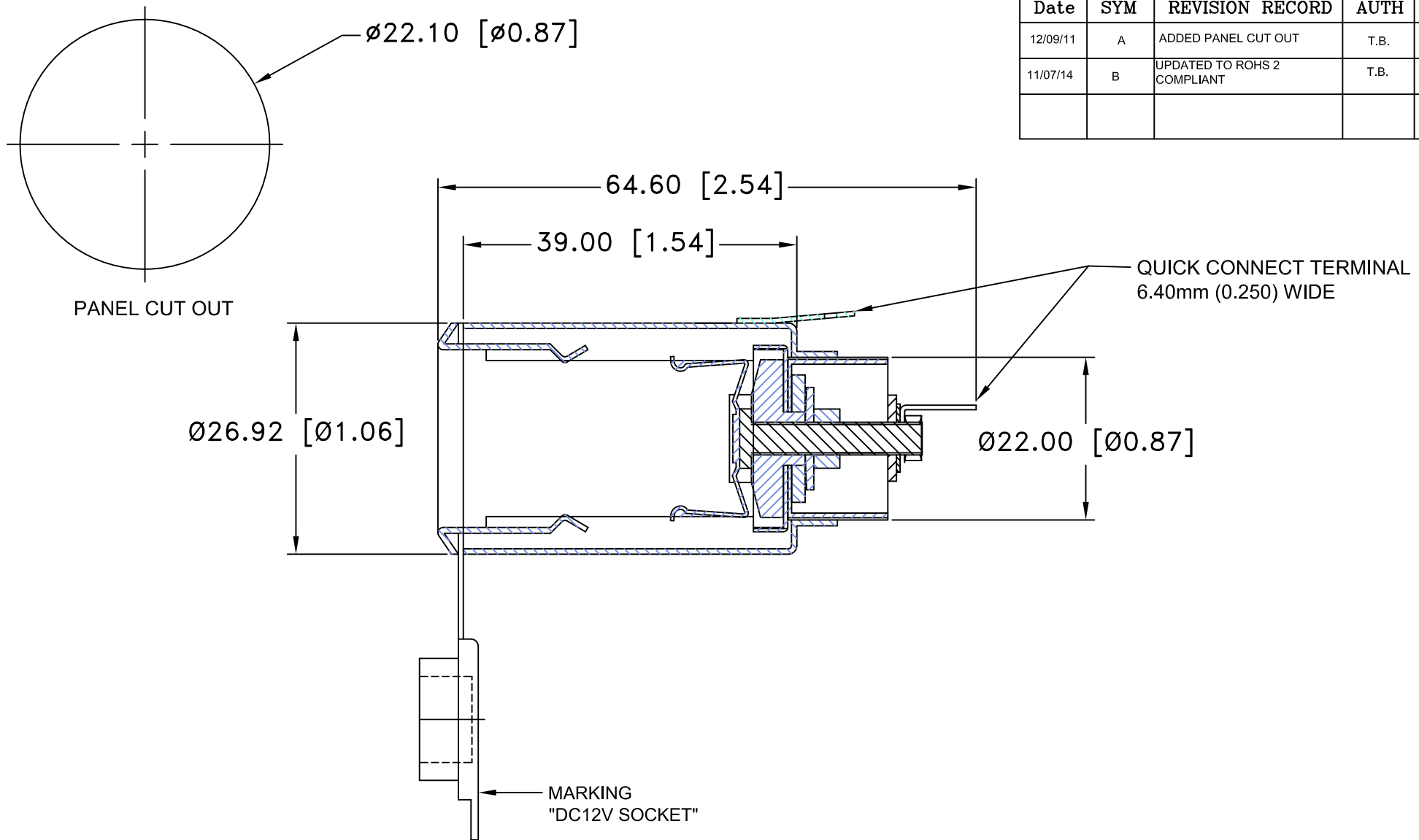



Date	SYM	REVISION RECORD	AUTH	DR.	CK.
12/09/11	A	ADDED PANEL CUT OUT	T.B.	B.S.	
11/07/14	B	UPDATED TO ROHS 2 COMPLIANT	T.B.	B.S.	



MATERIAL SPECIFICATION:
 INNER TUBE: IRON, NICKEL PLATED
 WASHER: IRON, NICKEL PLATED
 NUT: IRON, NICKEL PLATED
 OUTER SHELL: IRON, NICKEL PLATED
 TERMINALS: IRON, NICKEL PLATED
 COVER: PVC
 ROHS 2 COMPLIANT

Tolerance (Except as noted)	 Memory Protection Devices, Inc 200 Broad Hollow Road, Farmingdale, New York 11735	Scale	Drawn By B.S.
			Approved By T.B.
decimal ±.5 (.020)	Title 12V CIGARETTE SOCKET	Date 11/07/14	
Fractional ± .8 (.030)		Drawing Number AS203B	
Angular ± 3°			