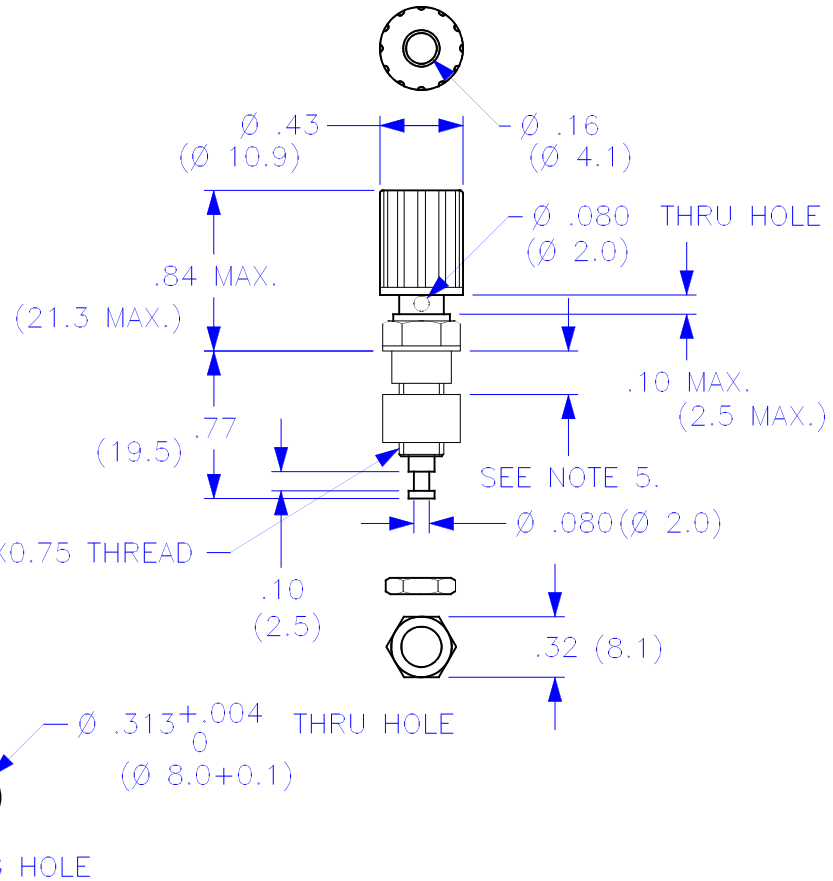


THIS IS ISSUED IN STRICT CONFIDENCE THAT IT IS NOT USED AS A BASIS FOR MANUFACTURE OR SALE AND THAT IT IS NOT COPIED, REPRINTED OR DISCLOSED TO A THIRD PARTY EITHER WHOLLY OR IN PART WITHOUT THE PRIOR WRITTEN CONSENT OF CAL TEST ELECTRONICS, INC.

REVISIONS			
REV.	DESCRIPTIONS	DATE	APPROVED
-	CLASS A RELEASED	7/11/99	

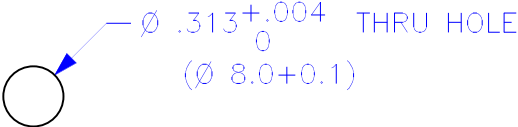
- 4mm INSULATED BINDING POST, SOLDER TURRET
- SPECIFICATIONS:
INSULATOR: POLYAMIDE (NYLON)
JACK BODY: BRASS, NICKEL PLATED
NUT: BRASS, NICKEL PLATED, 2 PIECES
- RATING:
VOLTAGE: 1,200V AC/DC
CURRENT: 36A MAX.
TEMPERATURE: -20° C TO +80° C.
- MOUNTING HOLE: REFERENCE DIAGRAM.
- MAXIMUM PANEL THICKNESS: .20 (5.1)



PART NUMBER

CT2232-#

- COLOR:
- 0 - BLACK
 - 2 - RED
 - 4 - YELLOW
 - 5 - GREEN
 - 6 - BLUE
 - 9 - WHITE



MOUNTING HOLE

THIRD ANGLE PROJECTION		UNLESS OTHERWISE SPECIFIED DIMENSIONS ARE IN INCHES TOLERANCES ARE:		CONTRACT NO.		Cal Test Electronics		22820 Savi Ranch Parkway Yorba Linda, CA 92887-4610	
		FRACTIONS ± 1/32 DECIMALS .XX ± .02 .XXX ± .005		APPROVALS		DATE		TITLE	
		DO NOT SCALE DRAWING		DRAWN WDH		7/11/99		4mm INSULATED BINDING POST, SOLDER TURRET	
		MATERIAL		CHECKED				SIZE A	
		FINISH		ENGR.				CAGE CODE 43F45	
NEXT ASSY		USED ON		DESIGN ACTIVITY				DWG. NO. P223200	
APPLICATION								REV. -	
						SCALE 1:1		SHEET 1 OF 1	