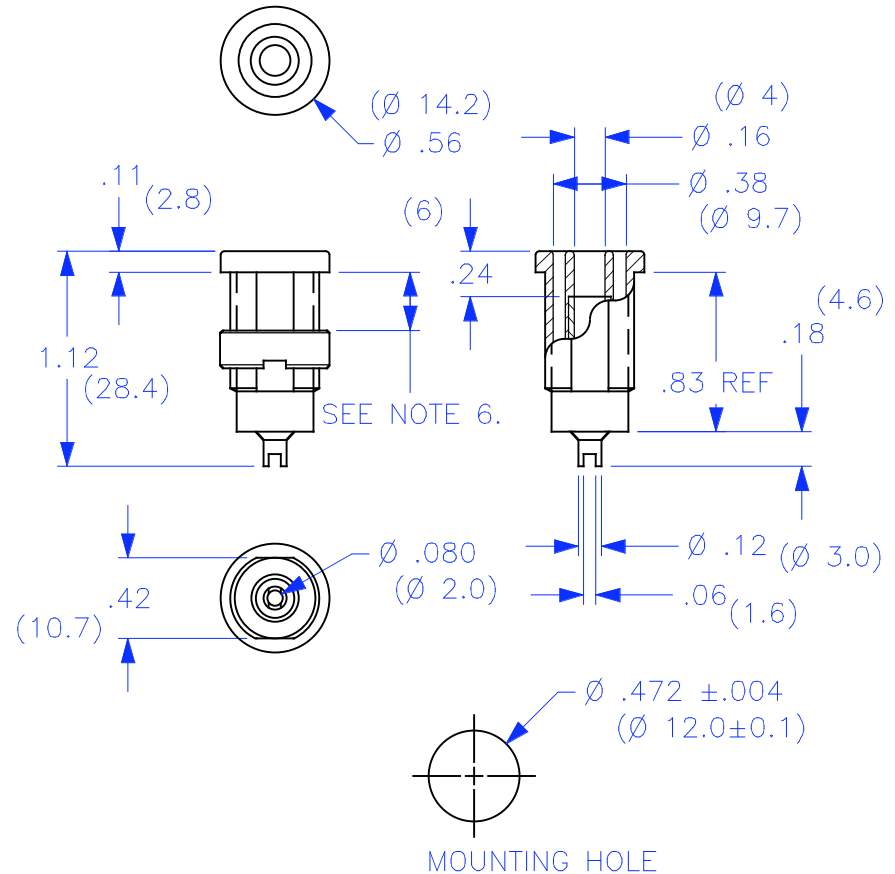


THIS IS ISSUED IN STRICT CONFIDENCE THAT IT IS NOT USED AS A BASIS FOR MANUFACTURE OR SALE AND THAT IT IS NOT COPIED, REPRINTED OR DISCLOSED TO A THIRD PARTY EITHER WHOLLY OR IN PART WITHOUT THE PRIOR WRITTEN CONSENT OF CAL TEST ELECTRONICS, INC.

- SAFETY SOCKET w/ $\varnothing$  .080 ( $\varnothing$  2.0) SOLDER FORK.
- SPECIFICATIONS:  
INSULATOR: POLYAMIDE  
CONTACT: BRASS, NICKEL PLATED  
LOCKING NUT: BRASS, NICKEL PLATED
- RATING:  
VOLTAGE: 1,000V CATIII P2 (IEC61010-1)  
CURRENT: 25A MAX.  
RESISTANCE:  $<5m\Omega$ .  
TEMPERATURE:  $-20^{\circ}$  C TO  $+80^{\circ}$  C.
- MOUNTING HOLE: REF. DIAGRAM
- INSULATOR THREAD, M12 X 0.75
- MAXIMUM PANEL THICKNESS: .40 (10.2).

REVISIONS			
REV.	DESCRIPTIONS	DATE	APPROVED
-	CLASS A RELEASED	7/12/99	
A	REVISED CONFIGURATION & MATL. MOUNTING HOLE. NEW TOOLING.	4/18/04	



**PART NUMBER**

**CT2242-#**

- COLOR:
- 0 - BLACK
  - 1 - BROWN
  - 2 - RED
  - 3 - ORANGE
  - 4 - YELLOW
  - 5 - GREEN
  - 6 - BLUE
  - 7 - PURPLE
  - 8 - GRAY
  - 9 - WHITE

THIRD ANGLE PROJECTION		UNLESS OTHERWISE SPECIFIED DIMENSIONS ARE IN INCHES TOLERANCES ARE: FRACTIONS DECIMALS $\pm 1/32$ .XX $\pm$ .02 DO NOT SCALE DRAWING .XXX $\pm$ .005		CONTRACT NO.		<b>Cal Test Electronics</b> 22820 Savi Ranch Parkway Yorba Linda, CA 92887-4610	
		MATERIAL		APPROVALS	DATE	TITLE	
		FINISH		DRAWN	7/12/99	<b>4mm SAFETY SOCKET, w/<math>\varnothing</math> .080(<math>\varnothing</math> 2mm)SOLDER FORK</b>	
NEXT ASSY	USED ON	ENGR.		CHECKED		SIZE	REV.
APPLICATION		DESIGN ACTIVITY				A	A
						CAGE CODE	DWG. NO.
						43F45	P224200
						SCALE	SHEET
						1:1	1 OF 1