

NOTE:

MATERIAL

HOUSING: PBT UL94V-0, BLACK  
 CONTACT: GOLD PLATED BRASS  
 SHELL: SEE P/N KEY  
 NUT: SEE P/N KEY  
 O-RING 1: NBR, BLACK  
 O-RING 2: EPDM, BLACK

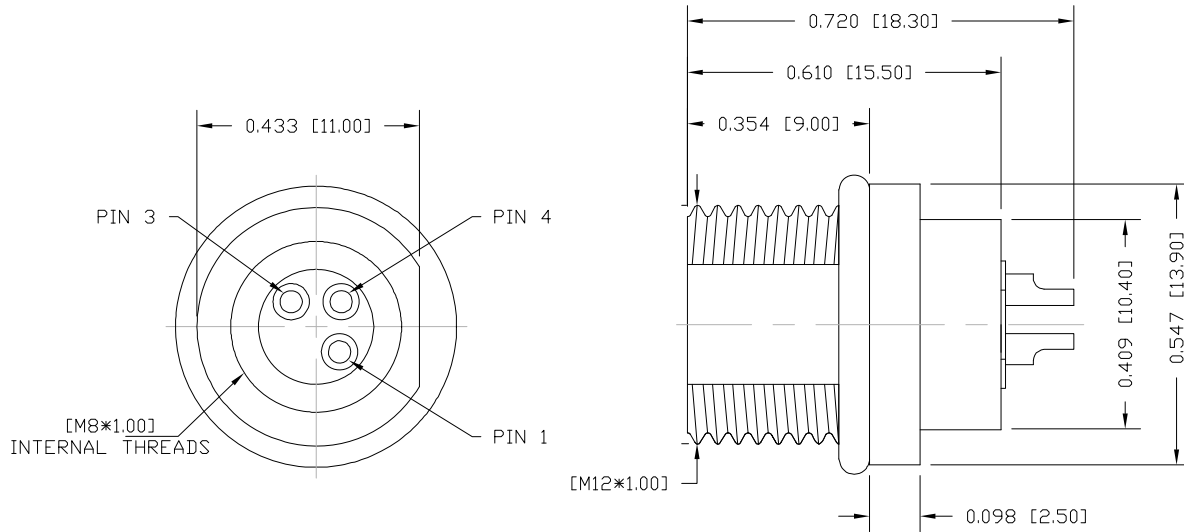
ELECTRICAL

RATED CURRENT: 3A  
 RATED VOLTAGE: 60V  
 INSULATION RESISTANCE: 100 MΩhms MIN.  
 CONTACT RESISTANCE: 10 mΩhms MAX.  
 WATER PROOF: IP67

ENVIRONMENT

OPERATION TEMPERATURE: -40°C TO +85°C

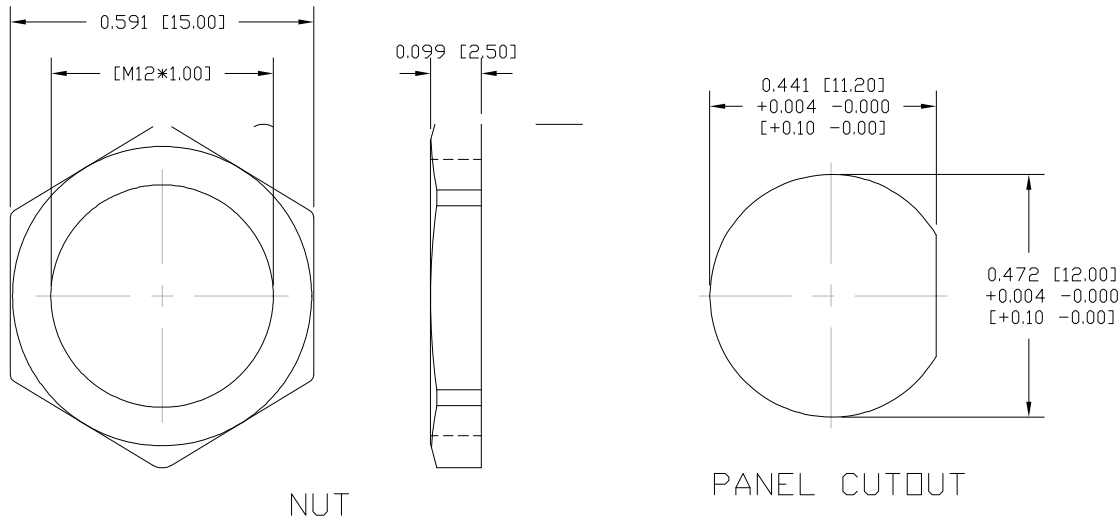
MAX WIRE AWG: 24



855-003-20YR00Y

3 = BRASS/NICKEL SHELL & NUT  
 S = 316 STAINLESS STEEL SHELL & NUT

1 = GOLD FLASH  
 4 = 10μ" GOLD



RoHS COMPLIANT

UNITS = inch [mm]

DO NOT SCALE FROM DRAWING



THESE DRAWINGS AND SPECIFICATIONS ARE THE PROPERTY OF NorComp AND SHALL NOT BE REPRODUCED, COPIED OR USED AS THE BASIS FOR THE MANUFACTURE OR SALE OF APPARATUS WITHOUT WRITTEN PERMISSION.

DRAWN:  
M. SIGMON

DATE:  
03/04/2016

NorComp

SCALE:  
NTS

SHEET OF  
1 1

REV  
6

DWG NO.

855-003-203R00Y