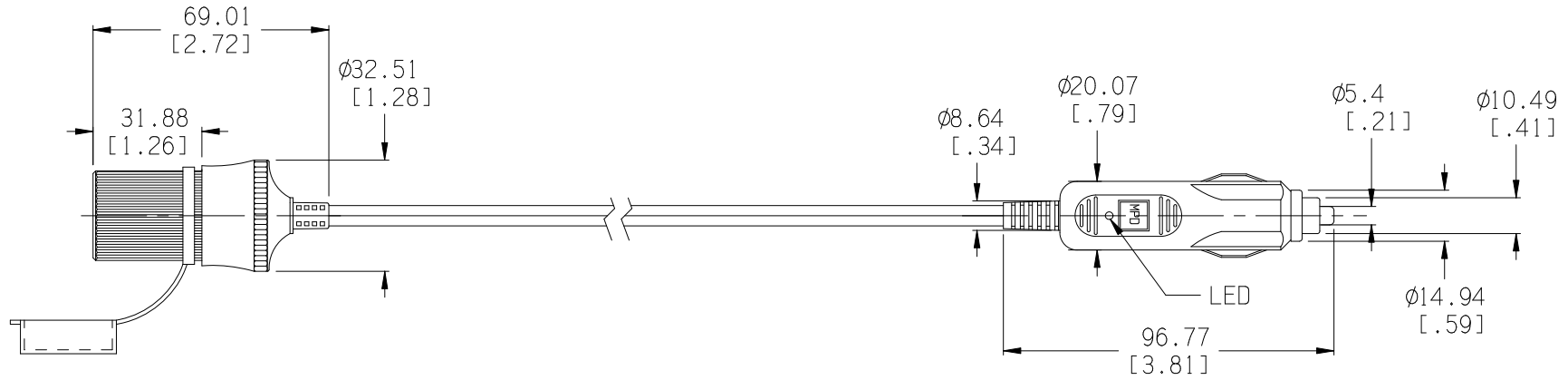



Date	SYM	REVISION RECORD	AUTH	DR.	CK.
1/14/06	A	ADDED "ROHS COMPLIANT"	T.B.	B.S.	
08/28/14	B	UPDATED TO ROHS 2 COMPLIANT	T.B.	B.S.	



NOTE:
ROHS 2 COMPLIANT

BILL OF MATERIAL			Tolerance (Inches)	 Memory Protection Devices, Inc. 200 Broad Hollow Road, Farmingdale, New York 11735
PART #	QTY.	DESCRIPTION		
APP-001	1	CIGARETTE PLUG FOR 21 OR 22.2mm DIA. SOCKETS	Decimal	Scale
ZA2010	1	PLASTIC CIGARETTE SOCKET	±.5 (.020)	
FUSE	1	3AG (6.35 x 30mm), 10 AMP.	Fractional	Title
CORD	1	SPT-1, 18 AWG, 105°C, UL-VW-1		
AS-210B	1	PLASTIC COVER, PVC	Angular	Date
			± 3°	08/28/14
			Drawing Number	
			ZA5071	