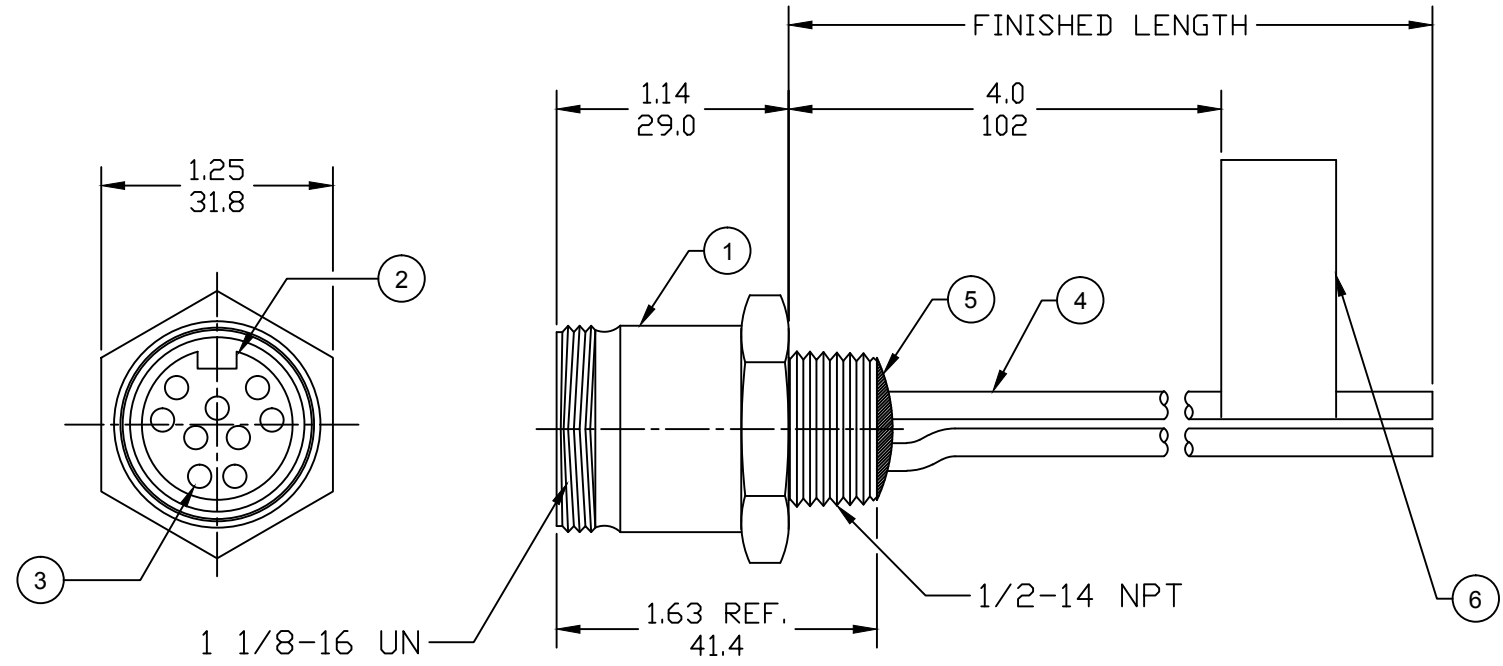
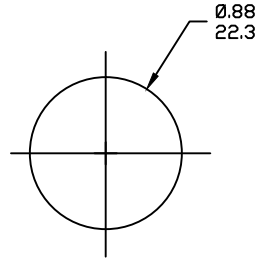


FACE VIEW-MALE INSERT		
1 ORANGE 2 BLUE 3 RED/BLACK 4 GREEN/BLACK 5 WHITE 6 RED 7 GREEN/YELLOW 8 WHITE/BLACK 9 BLACK	1 ORANGE 2 BLUE 3 WHITE/BLACK 4 RED/BLACK 5 GREEN/BLACK 6 ORANGE/BLACK 7 RED 8 GREEN/YELLOW 9 BLACK 10 WHITE	1 ORANGE 2 BLUE 3 WHITE/BLACK 4 RED/BLACK 5 GREEN/BLACK 6 ORANGE/BLACK 7 BLUE/BLACK 8 BLACK/WHITE 9 GREEN/YELLOW 10 RED 11 WHITE 12 BLACK



(A1) CHART

PART NO.	ENGINEERING NO.	FINISHED LENGTH
1300150137	3R9006A20A120	12IN
1300150046	3R1006A20F020	2.0FT
1300150086	3R2006A20M005	0.5M



PART NUMBER LEGEND

3R1006A20F0101

- COUPLING: BLANK= STD (SEE BDM)
- 1= 303 STAINLESS ST.
- LENGTH:
 - A120= 12 INCHES
 - F001= .1 FT
 - F020= 2 FT
 - F200= 20 FT
- M005= 0.5 METER
- M010= 1 METER
- M100= 10 METER

POLES:
 9= 9 POLES
 1=10 POLES
 2=12 POLES

(A1) CABLE LENGTH TOLERANCES

>.3M [1FT]:	+19mm-0 [+1.75in-0]
.3 - .9M [1 - 3FT]:	+44.5mm-0 [+1.75in-0]
.9 - 1.8M [3 - 6FT]:	+55.6mm-0 [+2.19in-0]
1.8 - 3.7M [6 - 12FT]:	+88.9mm-0 [+3.50in-0]
3.7 - 7.3M [12 - 24FT]:	+165.1mm-0 [+6.50in-0]
7.3-14.6M [24 - 48FT]:	+317.5mm-0 [+12.50in-0]
14.6 - 30.5M [48-100FT]:	+622.3mm-0 [+24.50in-0]
OVER 30M [100FT]	+2% OF FINISHED LENGTH

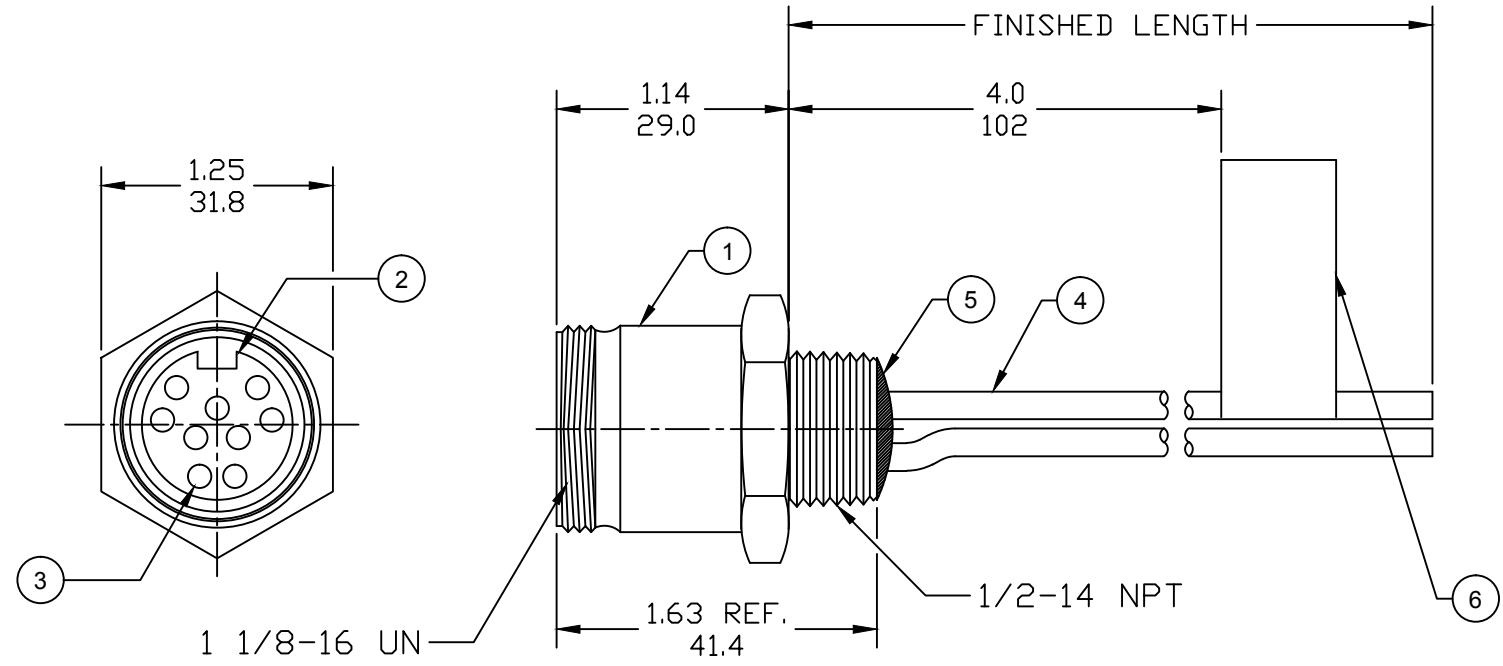
- NOTES:**
- MATERIAL: AS NOTED
 - FINISH: AS NOTED
 - ELECTRICAL:
 - (A1) VOLTAGE: 320V PER IEC60664
600V PER UL2238
 - CURRENT: 9 POLE: 7A
10 POLE: 7A
12 POLE: 5A
 - 4. TEMP RATING: -20°TO +105°C
 - 5. PROTECTION: IP67 (WHEN MATED)
 - (A1) 6. UL RECOGNIZED, FILE: E152210
 - 7. DIMS ARE FOR REFERENCE UNLESS OTHERWISE NOTED

(A1) REF. KNOCKOUT HOLE

ITEM	DESCRIPTION	MATERIAL	FINISH
6	FLAG LABEL	VINYL	BLACK/YELLOW
5	POTTING MATERIAL	EPOXY	
4	WIRE, 16 AWG UL (1015)	PVC INSULATION	SEE CHART
3	CONTACT PIN	COPPER ALLOY	GOLD PLATED
2	MALE INSERT (C-SIZE)	PVC	YELLOW
1	RECEPTACLE SHELL	ZINC DIE-CAST	BLACK

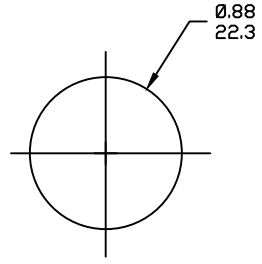
REV'D IEC VOLTS, ADD UL FILE, CHART & TOLS EC NO: IPG2017-1018 DRWN: RSTONE 5/11/17 CHK'D: M ZIELIN 2017/05/08 APPR: BWOODMAN 2017/02/02	DESCRIPTION REV	QUALITY SYMBOLS ▽=0 ◻=0	GENERAL TOLERANCES (UNLESS SPECIFIED) mm INCH 4 PLACES ±--- ±--- 3 PLACES ±--- ±--- 2 PLACES ±--- ±--- 1 PLACE ±--- ±--- ANGULAR ±---°	DIMENSION STYLE IN/MM	SCALE ---	DESIGN UNITS INCH	THIRD ANGLE PROJECTION
		DRAWN BY DATE RSTONE 2016/12/08	TITLE MINI-CHANGE RECEPTACLE 9, 10, & 12P MALE 16 AWG				
		CHECKED BY DATE M ZIELIN 2017/05/08	MOLEX INCORPORATED				
		APPROVED BY DATE BWOODMAN 2017/02/02	MATERIAL NO. ---	DOCUMENT NO. SD-130015-027	SHEET NO. 1 OF 1		
DRAFT WHERE APPLICABLE MUST REMAIN WITHIN DIMENSIONS			THIS DRAWING CONTAINS INFORMATION THAT IS PROPRIETARY TO MOLEX INCORPORATED AND SHOULD NOT BE USED WITHOUT WRITTEN PERMISSION				

FACE VIEW-MALE INSERT		
1 ORANGE 2 BLUE 3 RED/BLACK 4 GREEN/BLACK 5 WHITE 6 RED 7 GREEN/YELLOW 8 WHITE/BLACK 9 BLACK	1 ORANGE 2 BLUE 3 WHITE/BLACK 4 RED/BLACK 5 GREEN/BLACK 6 ORANGE/BLACK 7 RED 8 GREEN/YELLOW 9 BLACK 10 WHITE	1 ORANGE 2 BLUE 3 WHITE/BLACK 4 RED/BLACK 5 GREEN/BLACK 6 ORANGE/BLACK 7 BLUE/BLACK 8 BLACK/WHITE 9 GREEN/YELLOW 10 RED 11 WHITE 12 BLACK



(A1) CHART

PART NO.	ENGINEERING NO.	FINISHED LENGTH
1300150137	3R9006A20A120	12IN
1300150046	3R1006A20F020	2.0FT
1300150086	3R2006A20M005	0.5M



PART NUMBER LEGEND

3R1006A20F0101

- COUPLING: BLANK= STD (SEE BDM)
- 1= 303 STAINLESS ST.
- LENGTH:
 - A120= 12 INCHES
 - F001= .1 FT
 - F020= 2 FT
 - F200= 20 FT
- M005= 0.5 METER
- M010= 1 METER
- M100= 10 METER

POLES:
 9= 9 POLES
 1=10 POLES
 2=12 POLES

(A1) CABLE LENGTH TOLERANCES

>.3M [1FT]:	+19mm-0 [+1.75in-0]
.3 - .9M [1 - 3FT]:	+44.5mm-0 [+1.75in-0]
.9 - 1.8M [3 - 6FT]:	+55.6mm-0 [+2.19in-0]
1.8 - 3.7M [6 - 12FT]:	+88.9mm-0 [+3.50in-0]
3.7 - 7.3M [12 - 24FT]:	+165.1mm-0 [+6.50in-0]
7.3-14.6M [24 - 48FT]:	+317.5mm-0 [+12.50in-0]
14.6 - 30.5M [48-100FT]:	+622.3mm-0 [+24.50in-0]
OVER 30M [100FT]	+2% OF FINISHED LENGTH

- NOTES:**
- MATERIAL: AS NOTED
 - FINISH: AS NOTED
 - ELECTRICAL:
 - (A1) VOLTAGE: 320V PER IEC60664
 - 600V PER UL2238
 - CURRENT: 9 POLE: 7A
 - 10 POLE: 7A
 - 12 POLE: 5A
 - TEMP RATING: -20°TO +105°C
 - PROTECTION: IP67 (WHEN MATED)
 - (A1) UL RECOGNIZED, FILE: E152210
 - DIMS ARE FOR REFERENCE UNLESS OTHERWISE NOTED

(A1) REF. KNOCKOUT HOLE

ITEM	DESCRIPTION	MATERIAL	FINISH
6	FLAG LABEL	VINYL	BLACK/YELLOW
5	POTTING MATERIAL	EPOXY	
4	WIRE, 16 AWG UL (1015)	PVC INSULATION	SEE CHART
3	CONTACT PIN	COPPER ALLOY	GOLD PLATED
2	MALE INSERT (C-SIZE)	PVC	YELLOW
1	RECEPTACLE SHELL	ZINC DIE-CAST	BLACK

REV'D IEC VOLTS, ADD UL FILE, CHART & TOLS EC NO: IPG2017-1018 DRWN: RSTONE 5/11/17 CHK'D: M ZIELIN 2017/05/08 APPR: BWOODMAN 2017/02/02	DESCRIPTION REV	QUALITY SYMBOLS ▽=0 ◻=0	GENERAL TOLERANCES (UNLESS SPECIFIED) 4 PLACES ±--- ±--- 3 PLACES ±--- ±--- 2 PLACES ±--- ±--- 1 PLACE ±--- ±--- ANGULAR ±---°	DIMENSION STYLE IN/MM	SCALE ---	DESIGN UNITS INCH	THIRD ANGLE PROJECTION
		DRAWN BY RSTONE	DATE 2016/12/08	TITLE MINI-CHANGE RECEPTACLE 9, 10, & 12P MALE 16 AWG			
		CHECKED BY M ZIELIN	DATE 2017/05/08	MOLEX INCORPORATED			
		APPROVED BY BWOODMAN	DATE 2017/02/02	MATERIAL NO. ---	DOCUMENT NO. SD-130015-027	SHEET NO. 1 OF 1	
DRAFT WHERE APPLICABLE MUST REMAIN WITHIN DIMENSIONS			THIS DRAWING CONTAINS INFORMATION THAT IS PROPRIETARY TO MOLEX INCORPORATED AND SHOULD NOT BE USED WITHOUT WRITTEN PERMISSION				