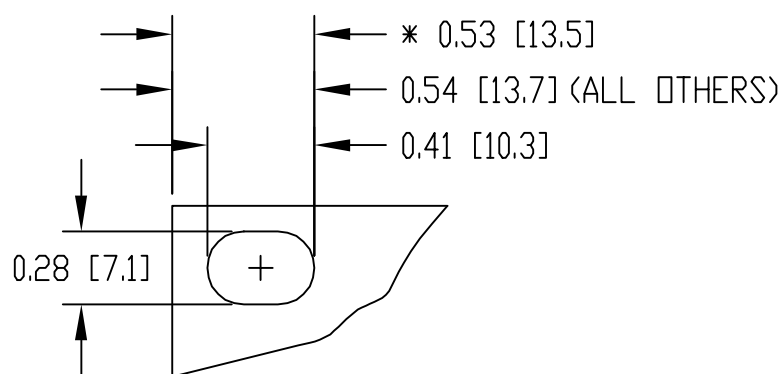


MATERIAL: 0.13 [3.2] THK. ALUMINUM
 FINISH: METALLIC GRAY
 WHITE TEXTURE
 BLACK TEXTURE



NOTCH DETAIL

* - THIS DIMENSION APPLIES TO ONLY
 PA-1101 & PA-1102

PART NO.	E.I.A. UNIT	TYPE	A	B	C
PA-1101	1U	A	1.72 [43.6]	1.250	-
PA-1102	2U	A	3.47 [88.1]	3.00 [76.2]	-
PA-1103	3U	B	5.22 [132.5]	2.25 [57.2]	-
PA-1104	4U	B	6.97 [177.0]	4.00 [101.6]	-
PA-1105	5U	B	8.72 [221.4]	5.75 [146.1]	-
PA-1106	6U	C	10.47 [265.9]	2.25 [57.2]	3.00 [76.2]
PA-1107	7U	C	12.22 [310.3]	3.50 [88.9]	2.25 [57.2]
PA-1108	8U	C	13.97 [354.8]	4.00 [101.6]	3.00 [76.2]
PA-1109	9U	C	15.72 [399.2]	4.00 [101.6]	4.75 [120.7]
PA-1110	10U	C	17.47 [443.7]	4.00 [101.6]	6.50 [165.1]
PA-1111	11U	C	19.22 [488.1]	5.25 [133.4]	5.75 [146.1]
PA-1112	12U	C	20.97 [532.6]	5.25 [133.4]	7.50 [190.5]