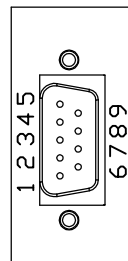
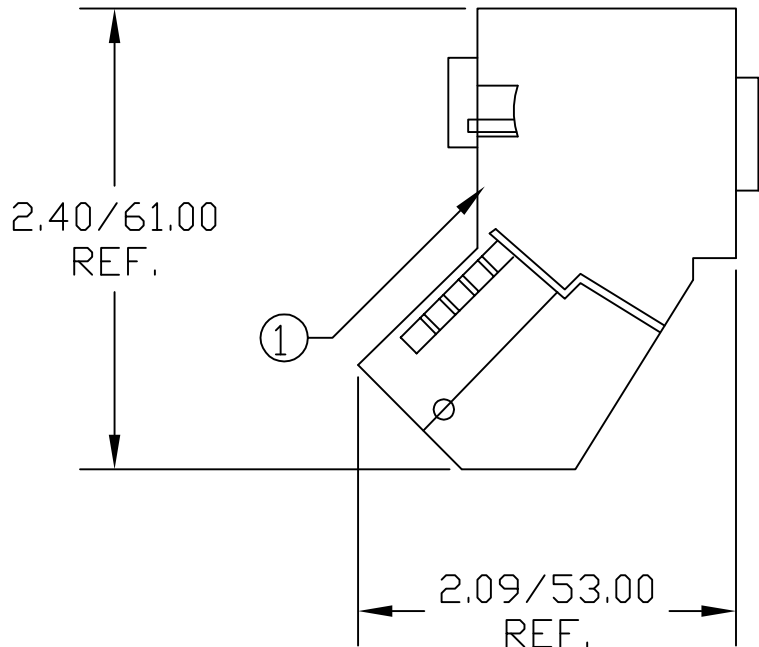


MATERIAL NUMBER	ENGINEERING PART NUMBER
1201030003	PA9D0B-42



D-SUB FACE VIEW

9	NOT CONNECTED
8	GREEN (LINE A)
7	NOT CONNECTED
6	NOT CONNECTED
5	NOT CONNECTED
4	NOT CONNECTED
3	RED (LINE B)
2	NOT CONNECTED
1	NOT CONNECTED

WIRING DIAGRAM

FEATURING
 DIAGNOSTIC LED
 PROGRAMMING/DIAGNOSTIC PORT
 TERMINATION SWITCH
 CABLE CONNECTION USING IDC TECHNOLOGY

VOLTAGE RATING	30 VAC/VDC
AMPERAGE RATING	4 AMPS
PROTECTION FOR D-SUB	IP20

ITEM	COMPONENT	MATERIAL
1	HOUSING	DIE CAST ZINC

RELEASE SD DRAWING EC NO: MEL2010-0084 DRWN: TWOLDEGE 8/28/09 CHKD: --- APPR: JFMURPHY 2009/08/31	QUALITY SYMBOLS ▽=0 ▽C=0	GENERAL TOLERANCES (UNLESS SPECIFIED)		DIMENSION STYLE	SCALE	DESIGN UNITS	THIRD ANGLE PROJECTION		
		mm	INCH	----	----	INCH			
		4 PLACES	±----	±----	DRAWN BY	DATE	TITLE	PROFIBUS ATTACHA. 9 PIN D-SUB 45D ----	
		3 PLACES	±----	±----	CHECKED BY	DATE			
2 PLACES	±----	±----	APPROVED BY	DATE	MOLEX INCORPORATED		SHEET NO. 1 OF 1		
1 PLACE	±----	±----	MATERIAL NO.	DOCUMENT NO.	SD-120103-002				
ANGULAR ±----°		DRAFT WHERE APPLICABLE MUST REMAIN WITHIN DIMENSIONS		SIZE A	THIS DRAWING CONTAINS INFORMATION THAT IS PROPRIETARY TO MOLEX INCORPORATED AND SHOULD NOT BE USED WITHOUT WRITTEN PERMISSION				