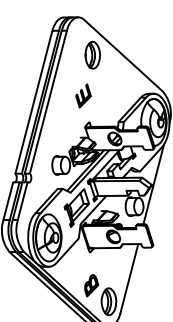
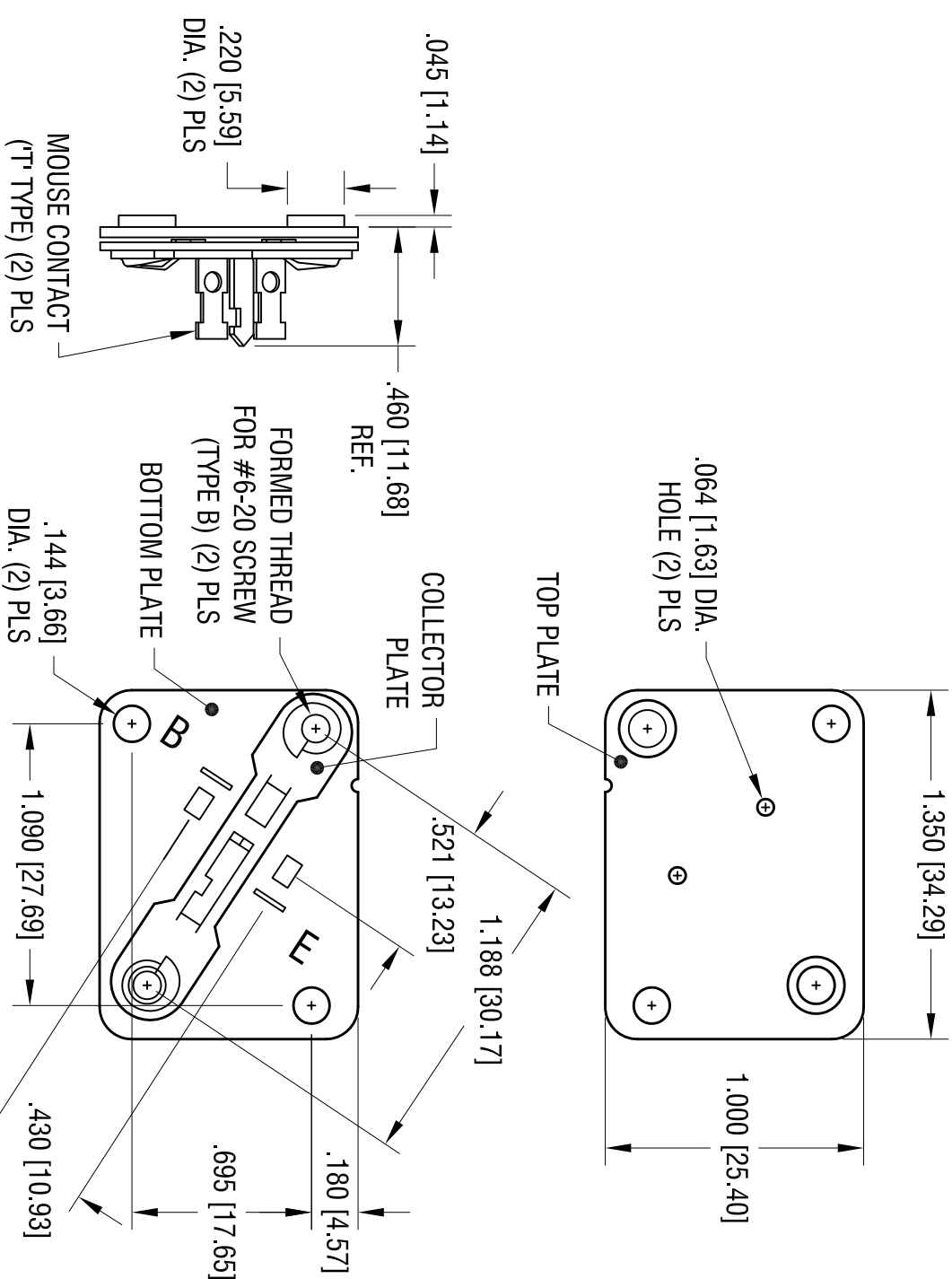


DATE	DESCRIPTION	REV.



NOTES:

- TOP PLATE: COLOR - BLACK
- MAT'L - NYLON 6/6 UL 94V-2
- BOTTOM PLATE: MAT'L - .032 [0.81] THK PHENOLIC
- COLLECTOR PLATE: MAT'L - .032 [0.81] THK STEEL
- FINISH - TIN PLATE
- MOUSE CONTACT (T^r TYPE): MAT'L - .013 [0.33] THK BRASS
- FINISH - TIN PLATE

KEYSTONE ELECTRONICS CORP.

www.keystone.com • NEW HYDE PARK, NY 11040 • Tel (516) 328-7500

PART NAME

TO-3 POWER TRANSISTOR SOCKET

MATERIAL

AS NOTED

FINISH

AS NOTED

TOLERANCES	INCH	[MM]	CODE	DWG NO.
DECIMAL	± .005	[± 0.13]	C	4607
ANGULAR	± 1°			

THIS DOCUMENT IS THE PROPERTY OF KEYSTONE ELECTRONICS CORP. AND SHALL NOT BE REPRODUCED, DISTRIBUTED OR USED AS A BASIS FOR MANUFACTURE WITHOUT PRIOR WRITTEN PERMISSION FROM KEYSTONE ELECTRONICS CORP.

DRN BY	DATE
BOONE	3.14.07

App'D	SCALE
LN	1.5X