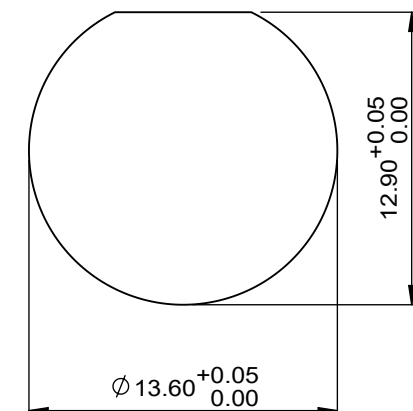
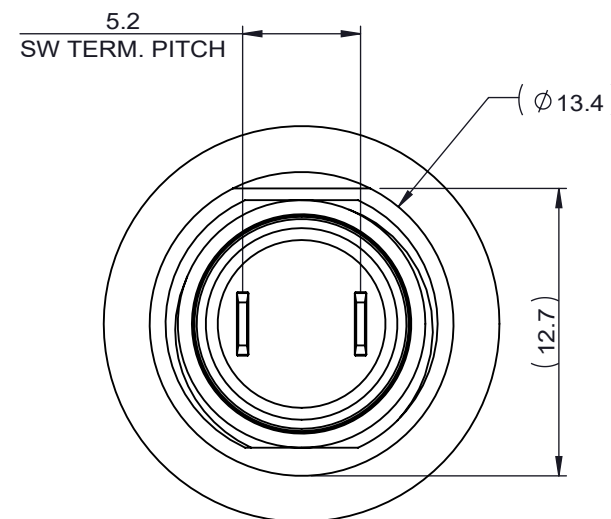
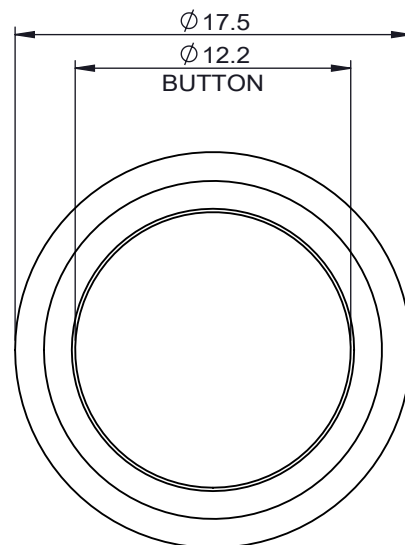


W49- 11 X

| BUTTON CODE | BUTTON COLOR DESCRIPTION |
|-------------|--------------------------|
| 1 | BLACK |
| 2 | RED |
| 3 | GREEN |
| 4 | WHITE |
| 5 | YELLOW |
| 6 | BLUE |
| 7 | ORANGE |



RECOMMENED PANLE CUT-OUT

MECHANICAL CHARACTERISTICS:

SWITCH CIRCUITRY: SPST-NO-DB
 SWITCH ACTION: MOMENTARY
 BUTTON TRAVEL: 2.3mm NOMINAL
 OPERATING FORCE: 306g [3N] NOMINAL
 PANEL THICKNESS: 1.5 - 3.0mm
 CONTACTS: GOLD PLATED
 LIFE(MECHANICAL): 1000K CYCLES
 NUT TORQUE FORCE: MAX 6 kgf-cm

ENVIRONMENTAL SPECIFICATIONS:

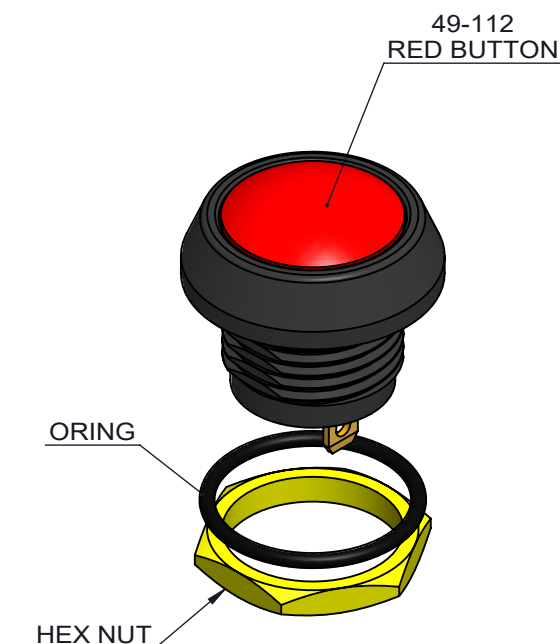
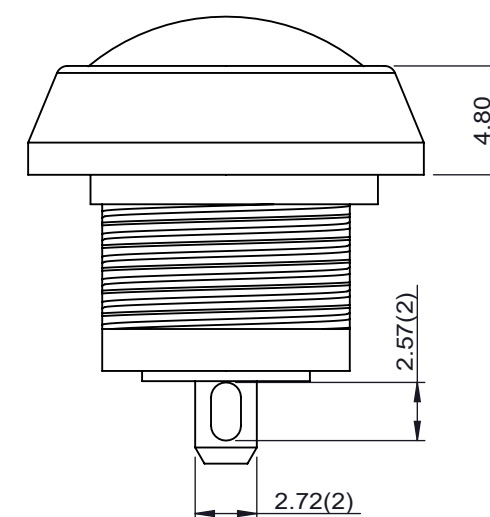
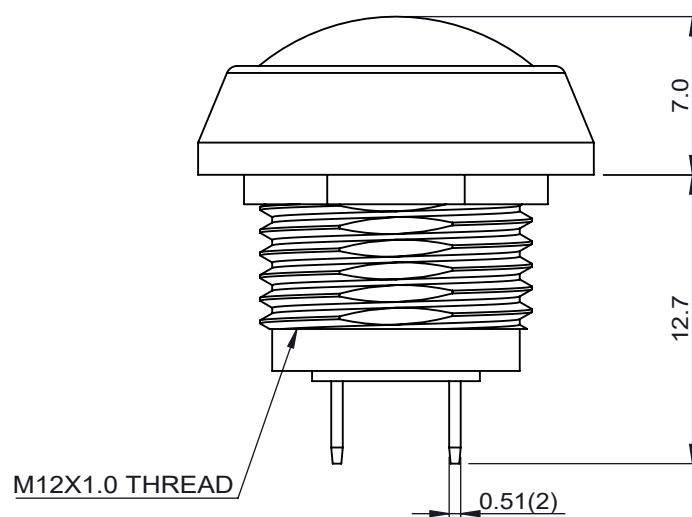
ACTUATOR INGRESS PROTECTION: IP67
 OPERATING TEMPERATURE: -40°C to +105°C

ELECTRICAL SPECIFICATIONS:

SWITCHING POWER(max): 16 VA AC
 CURRENT RATINGS: 400mA@32VAC, 500K CYCLES NOMINAL
 125mA@125VAC, 500K CYCLES NOMINAL
 100mA@50VDC, 500K CYCLES NOMINAL
 DIELECTRIC STRENGTH: 1,000VAC
 INSULATION RESISTANCE: 1G OHM
 CONTACT RESISTANCE: 50m OHMS MAX INITIA

NOTE:

1. SUPPLY HEX NET AND SEALING ORING BULK IN PACKED



| | | | | | | | | | | |
|---|-----------------------|---|---|-------------------|--|------------|------------|----------|----------------|--------------|
| DWG TYPE SALES DRAWING | DRAWN <i>K.Y.</i> | TOLERANCES: UNLESS OTHERWISE NOTED X.X ± 0.5 X.XX ± 0.25 ANGULAR ± 5° | DWG TITLE W49- SERIES ,MECHANICAL MOMENTARY | | | | | | | |
| STATUS RELEASE | REVIEW <i>v.w.</i> | THIRD ANGLE PROJECTION | DWG NO. W49-11X | | | | | | | |
| <small>This document is the intellectual property of ITW Electronic Business Asia Co., Limited and may contain confidential, proprietary, privileged information protected by law. Neither this document nor any information it contains can be reproduced, transformed to any other format, or distributed, without written permission by ITW Electronic Business Asia Co., Limited. 本文作為安達維百電股份有限公司之智慧財產，非經許可不得翻取、複製、轉變成其他形式使用或散佈。</small> | | | DATE 2021/6/7 | REF: 49-11X(L) | <input checked="" type="checkbox"/> 管制文件 <input type="checkbox"/> 非管制文件 | Unit mm | SCALE - | REV 1 | RoHS Compliant | SHEET 1 OF 2 |