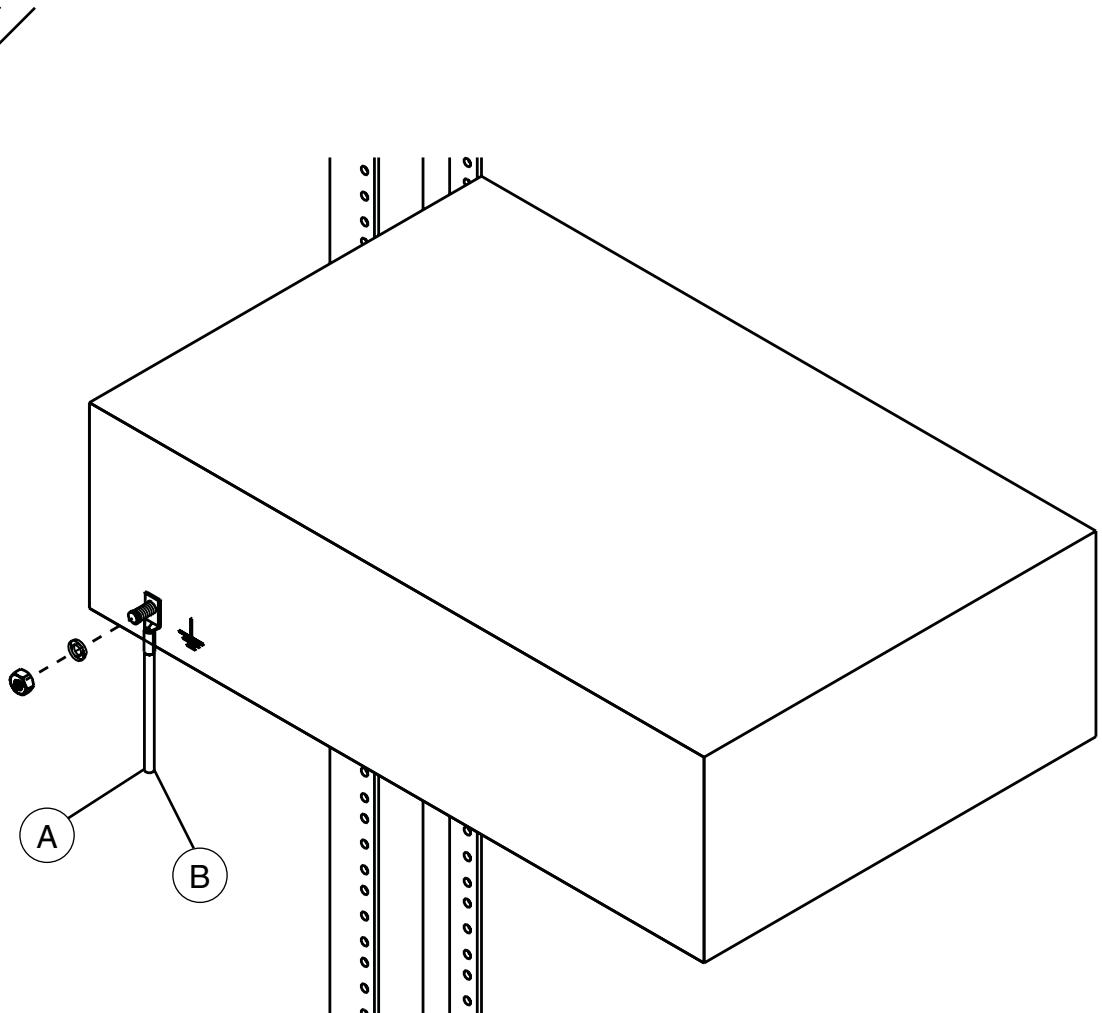


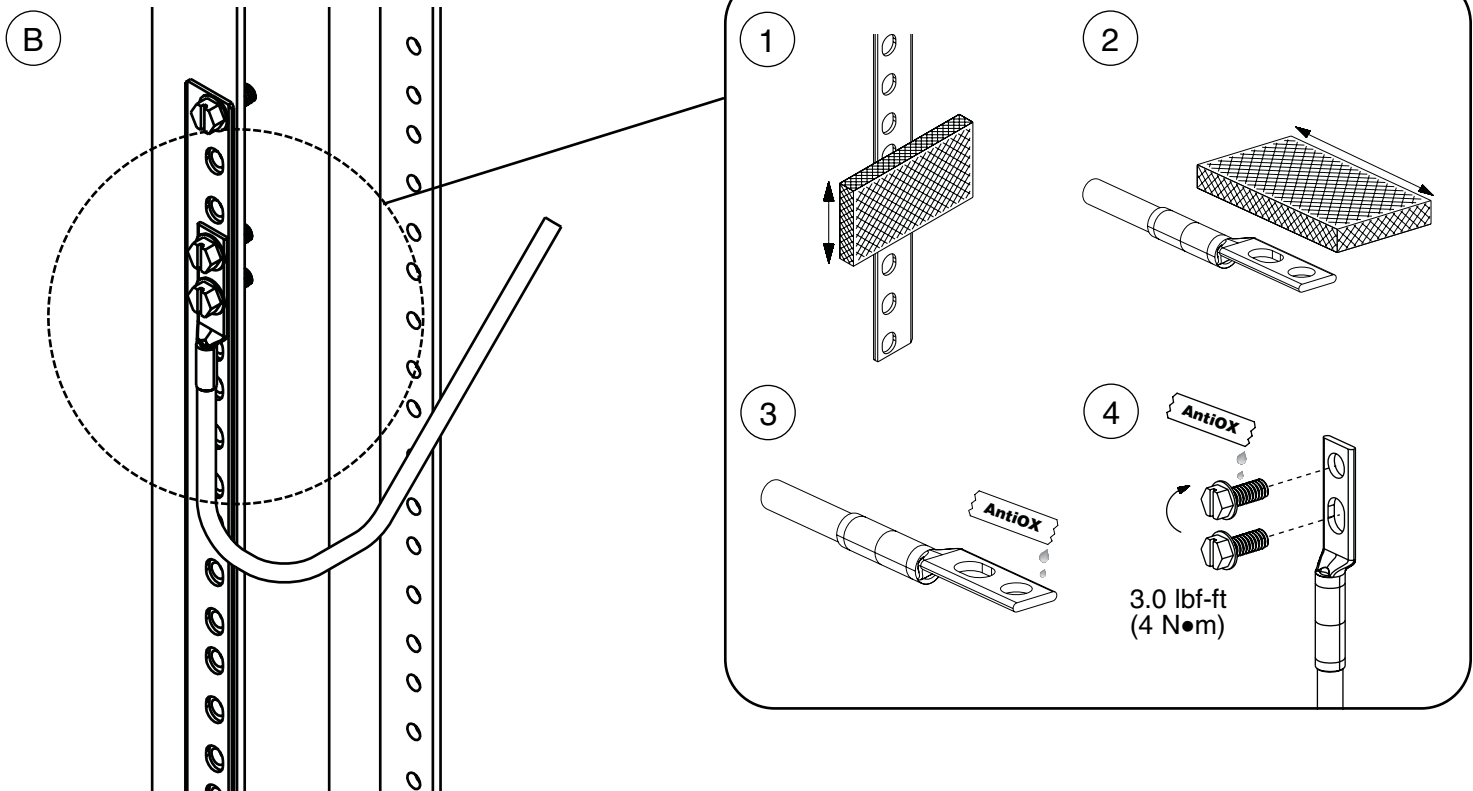
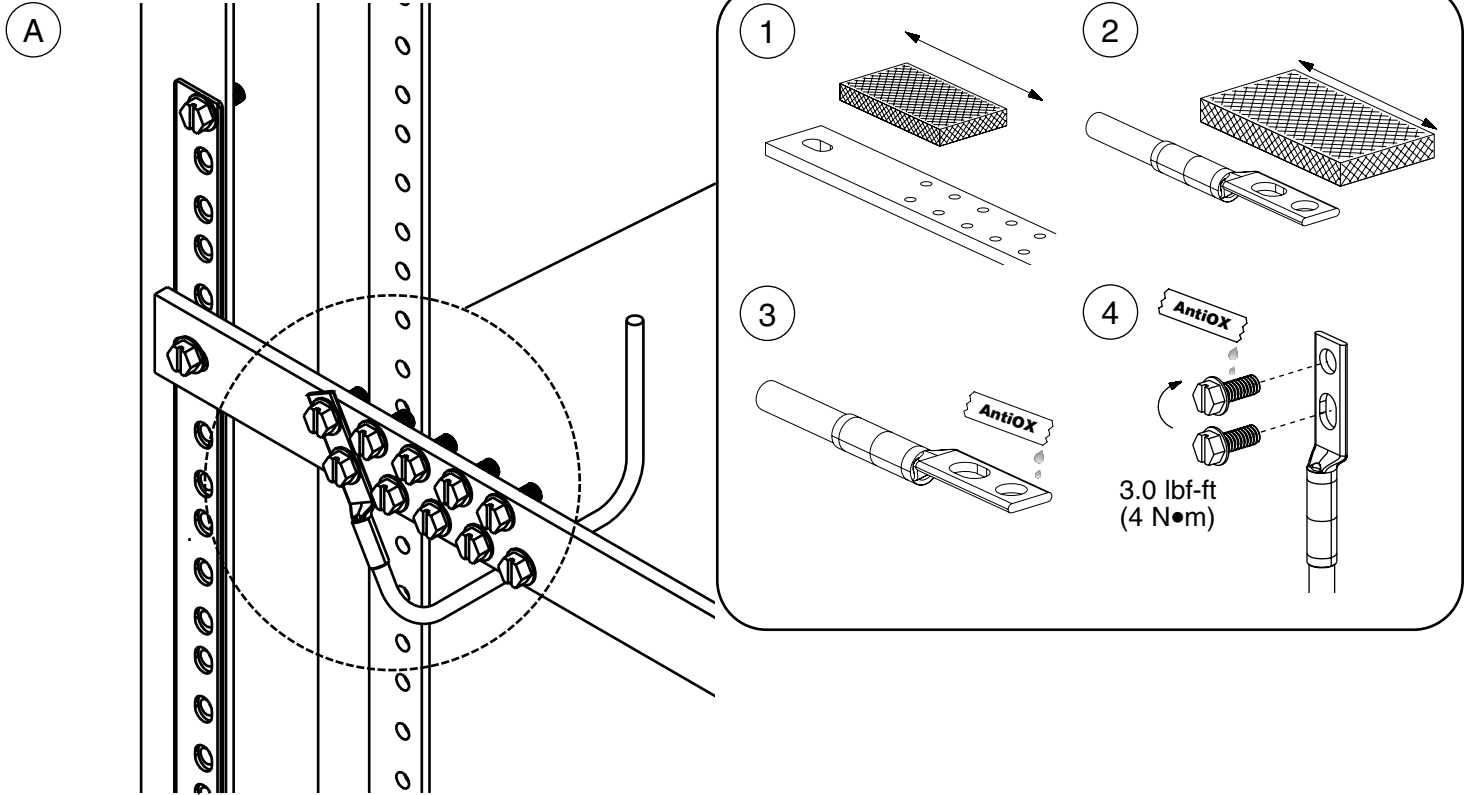
## INSTALLATION INSTRUCTIONS T-PMPI-271-PC

© PANDUIT Corp. 2006

<b>SSGK-1</b>	
	1
Surge Suppressor Jumper	
	2
M6 Screw	
	2
12-24 Screw	
	2
M5 Screw	
	2
10-32 Screw	
	1
AntiOx	
	1
Cleaning Pad	



# INSTALLATION INSTRUCTIONS T-PMPI-271-PC



For Instructions in Local Languages  
and Technical Support:

[http://www.panduit.com/resources/install\\_maintain.asp](http://www.panduit.com/resources/install_maintain.asp)



[www.panduit.com](http://www.panduit.com)

E-mail:  
[cs@panduit.com](mailto:cs@panduit.com)

Fax:  
(815)485-5839