

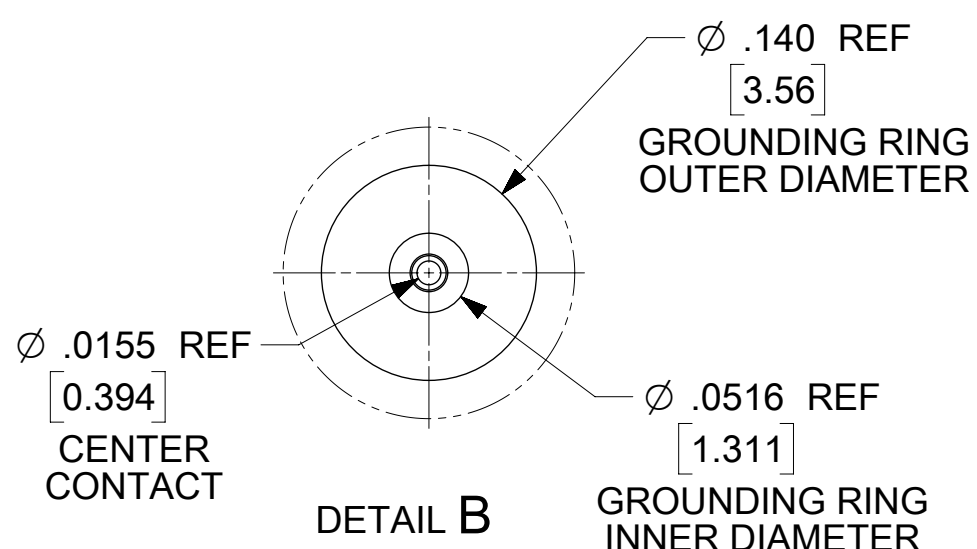
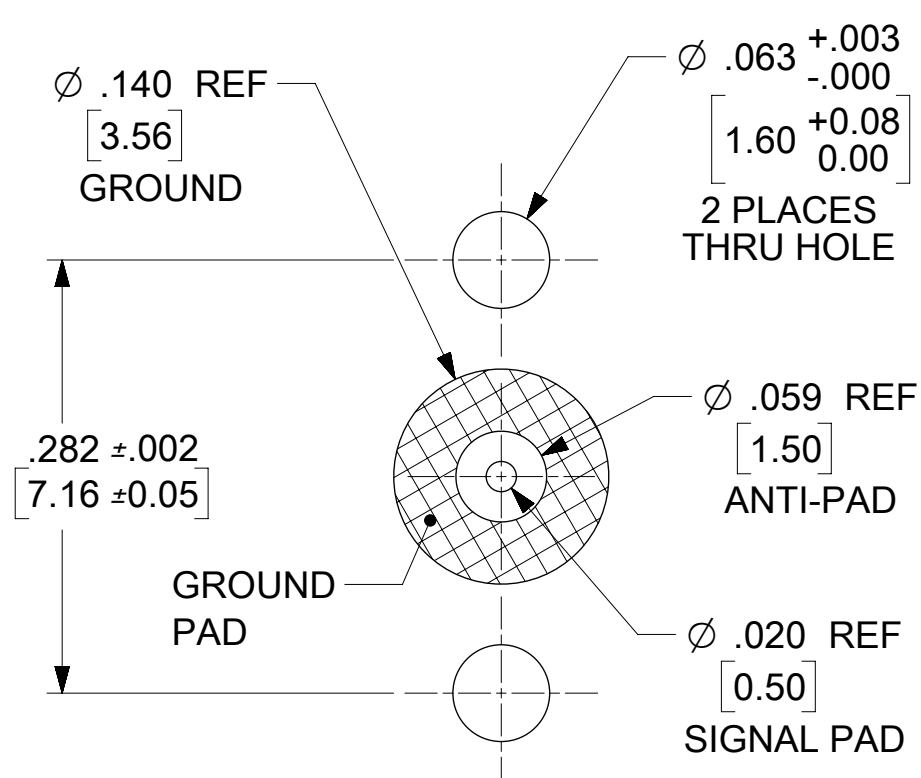
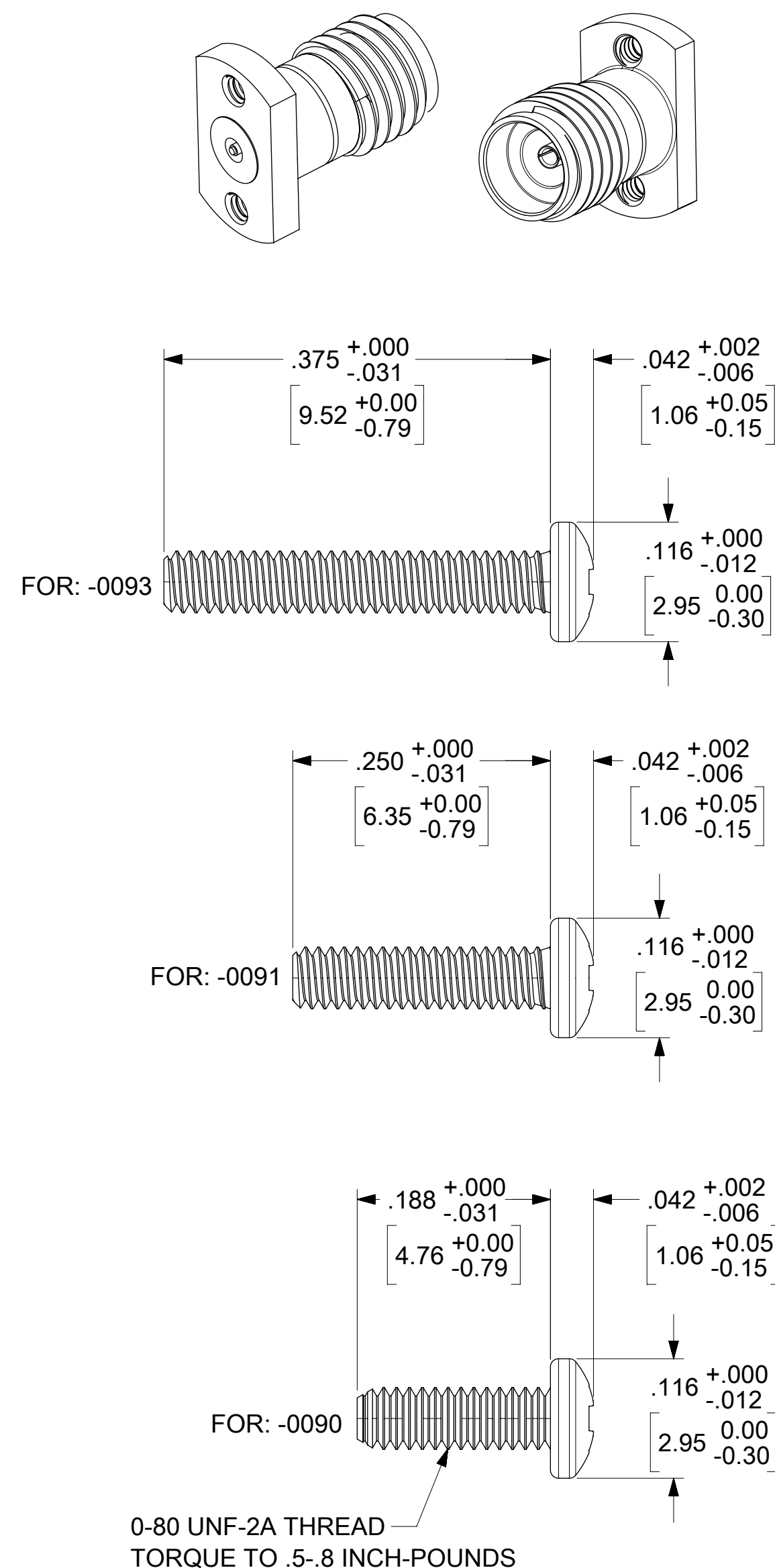
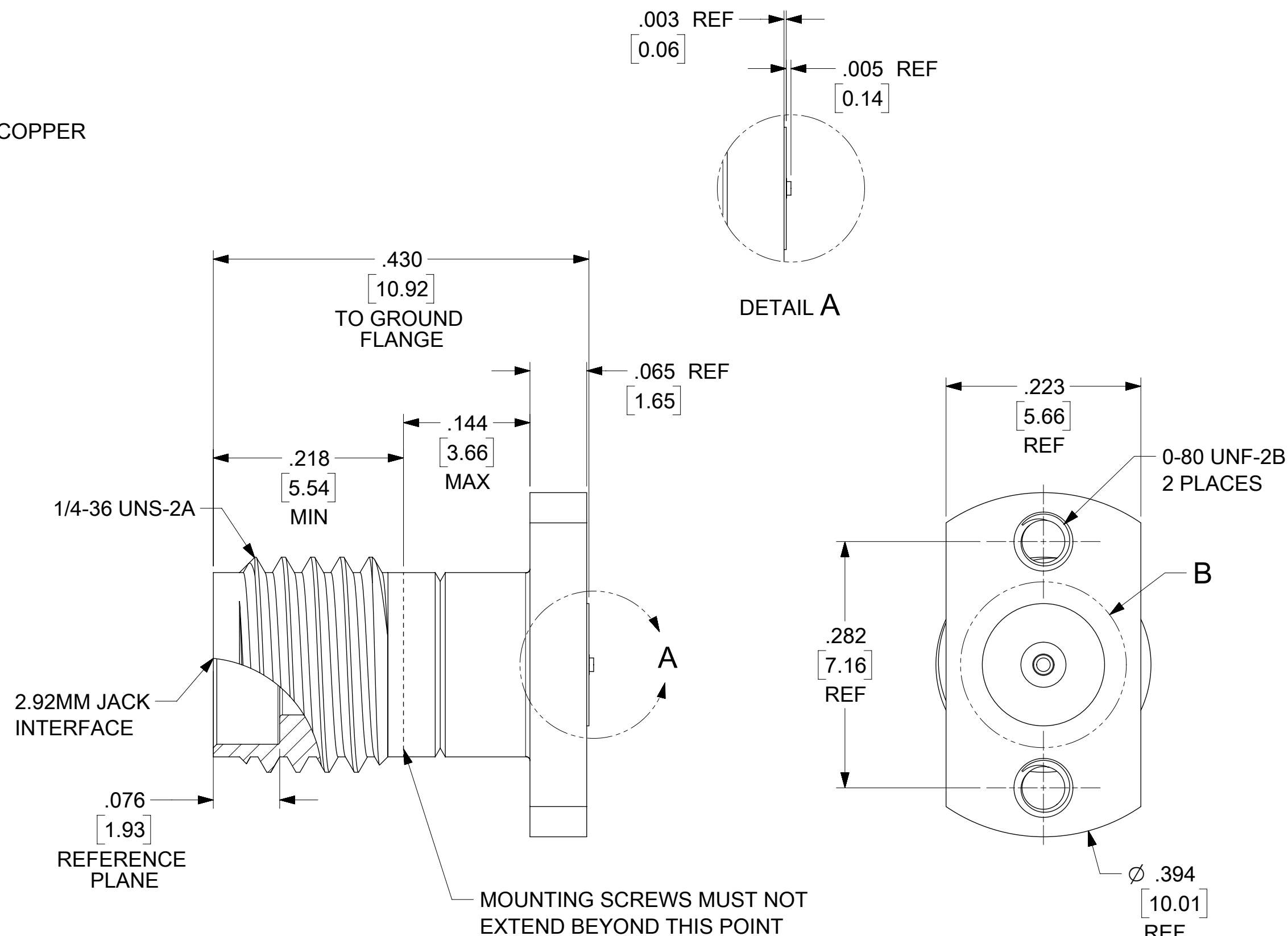
MATERIALS AND FINISHES:

**BODY: STAINLESS STEEL
PLATED: PASSIVATED**

**CENTER CONTACT: BERYLLIUM COPPER
PLATED: GOLD (30μ-in) MIN
OVER NICKEL (100μ-in) MIN.**

INSULATOR: PTFE

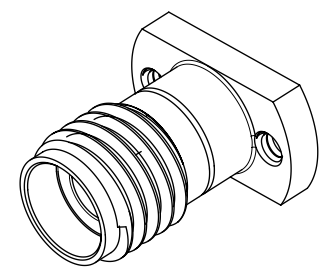
**SCREW: STAINLESS STEEL
PLATED: PASSIVATED**



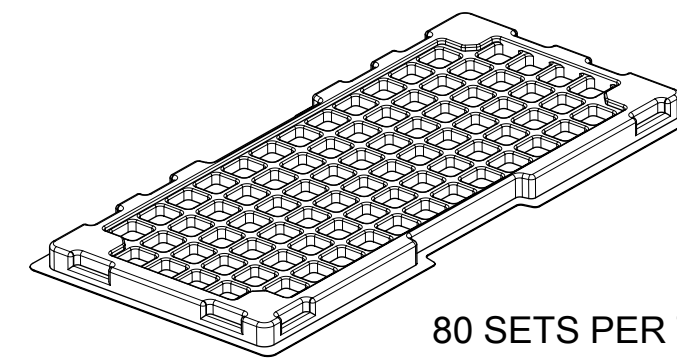
**NOTE:
PATENT PENDING**

QUALITY SYMBOLS		THIS DRAWING CONTAINS INFORMATION THAT IS PROPRIETARY TO MOLEX ELECTRONIC TECHNOLOGIES, LLC AND SHOULD NOT BE USED WITHOUT WRITTEN PERMISSION				DIMENSION UNITS		SCALE	
▽ = 0	▽ = 0	GENERAL TOLERANCES (UNLESS SPECIFIED)		INCH		DRWN BY		DATE	
▽ = 0	▽ = 0	4 PLACES ±		MM		APRAKASH01		2015/09/01	
▽ = 0	▽ = 0	3 PLACES ±		INCH		CHK'D BY		DATE	
▽ = 0	▽ = 0	2 PLACES ± 0.25		± 0.010		BBHARADWAJD		2017/02/20	
▽ = 0	▽ = 0	1 PLACES ±		±		APPR BY		DATE	
▽ = 0	▽ = 0	0 PLACES ±		±		AROBERTSON		2015/09/01	
▽ = 0	▽ = 0	ANGULAR TOL = 2		±		DRAWING SIZE		THIRD ANGLE PROJECTION	
▽ = 0	▽ = 0	DRAFT WHERE APPLICABLE MUST REMAIN WITHIN DIMENSIONS		±		C		SEE TABLE	
SEE ECM 117632		DRWN: PSWAMI02		CHKD: PSWAMI02		APPR: AROBERTSON		73252	
EC NO: 117632		2017/06/01		2017/07/04		2017/07/06		DOCUMENT NUMBER	
B3		2017/06/01		2017/07/04		2017/07/06		SD-73252-009	
RELEASE STATUS		P1		RELEASE DATE		06.07.2017		13:47:00	
DOC TYPE		PSD		DOC PART		000		SHEET NUMBER	
12		11		10		9		1 OF 2	

73252-0093	WITH TWO .375/9.52 SCREWS	.170(4.32) TO .295(7.50)
73252-0092	NO SCREWS	
73252-0091	WITH TWO .250/6.35 SCREWS	.070(1.78) TO .165(4.19)
73252-0090	WITH TWO .188/4.76 SCREWS	.030(0.76) TO .096(2.44)
PART NO.	DESCRIPTION	PCB THICKNESS IN(MM)
RELEASE STATUS	P1	RELEASE DATE 06.07.2017 13:47:00

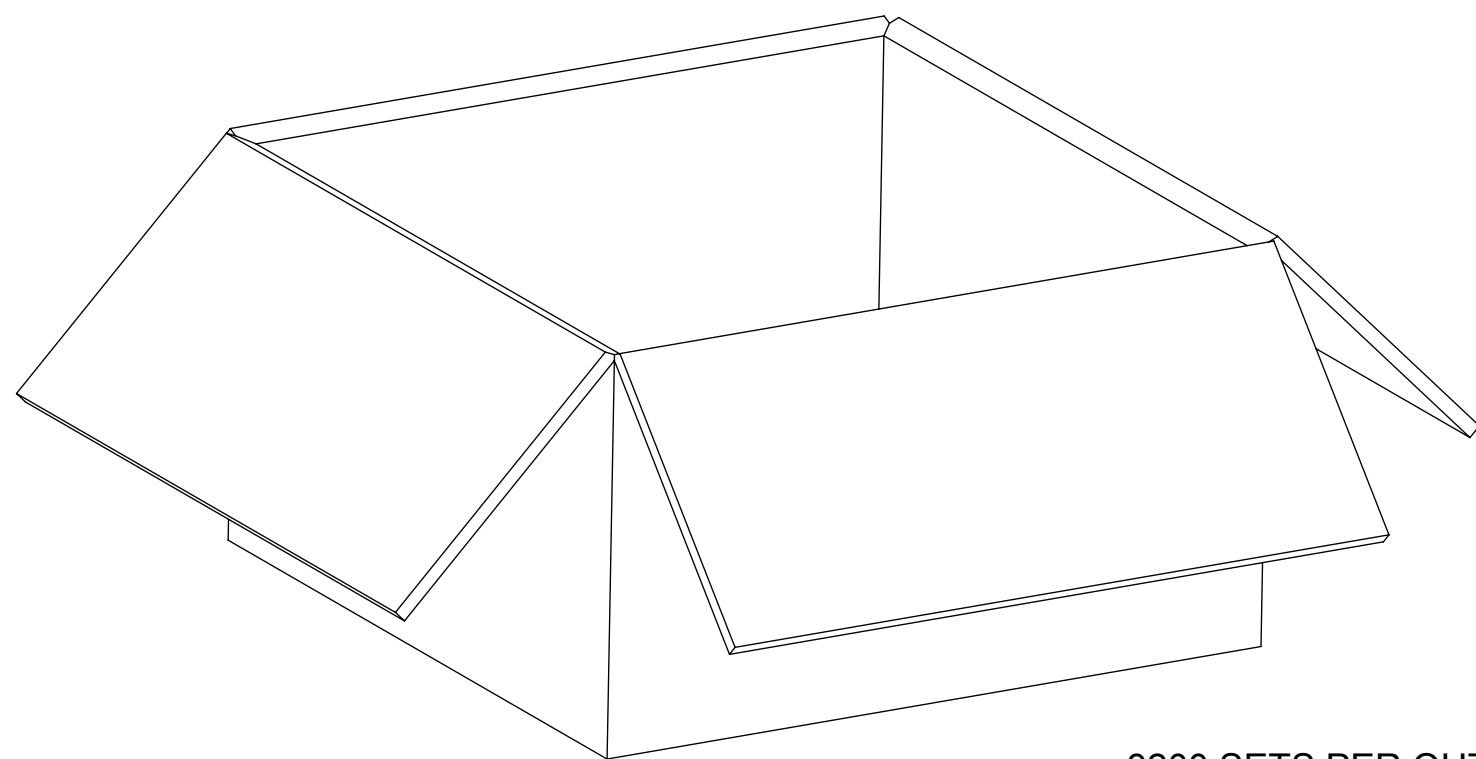
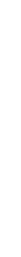


P/N: 73252-0092

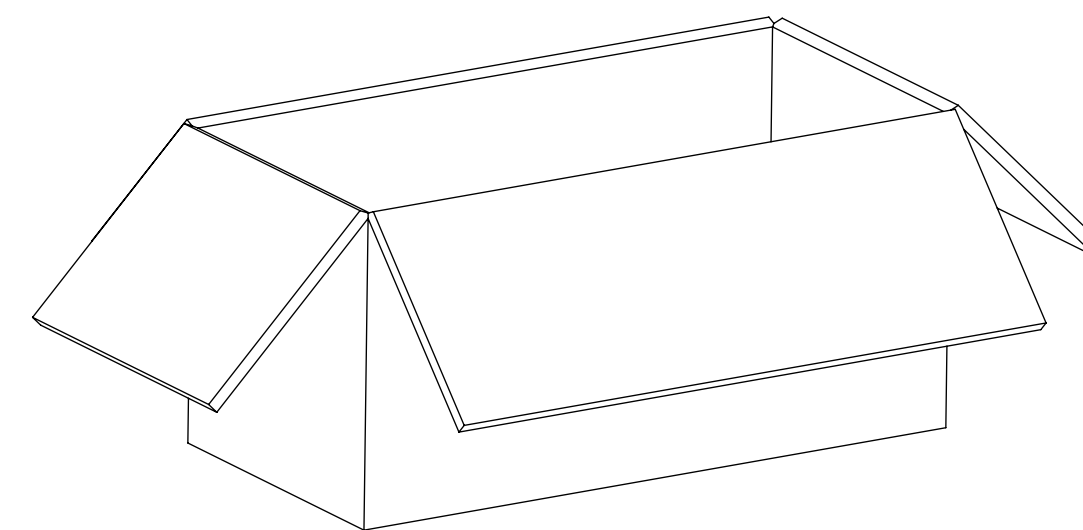


80 SETS PER TRAY
TRAY P/N: 89707-0190

FOR 73252-0092 ONLY



3200 SETS PER OUTER
CARTON BOX
P/N: 96708-0005



1600 SETS PER INNER
CARTON BOX
P/N: 96707-0001

QUALITY SYMBOLS		THIS DRAWING CONTAINS INFORMATION THAT IS PROPRIETARY TO MOLEX ELECTRONIC TECHNOLOGIES, LLC AND SHOULD NOT BE USED WITHOUT WRITTEN PERMISSION					
	= 0	SEE ECM 117632 EC NO: 117632 DRWN: PSWAMI02 CHKD: PSWAMI02 REV APPR: AROBERTSON 2017/06/01 2017/07/04 2017/07/06	GENERAL TOLERANCES (UNLESS SPECIFIED)		DIMENSION UNITS	SCALE	
	= 0		MM	INCH	INCH		
	= 0		4 PLACES	±	±	DRWN BY	DATE
	= 0		3 PLACES	±	± 0.010	APRAKASH01	2015/09/01
	= 0		2 PLACES	±	± 0.25	CHK'D BY	DATE
	= 0		1 PLACES	±	±	BBHARADWAJD	2017/02/20
	= 0	0 PLACES	±	±	APPR BY	DATE	
	= 0	ANGULAR TOL = 2		DRAWING SIZE	THIRD ANGLE PROJECTION		
	= 0	DRAFT WHERE APPLICABLE MUST REMAIN WITHIN DIMENSIONS		C			
	= 0						
RELEASE STATUS		P1	RELEASE DATE	06.07.2017	13:47:00		
12		11		10		9	
8		7		6		5	
4		3		2		1	

molex

2.92MM JACK, PCB
FIELD REPLACEABLE 2.92-JR/F, EWR-10959-A

PRODUCT CUSTOMER DRAWING

SERIES	MATERIAL NUMBER	CUSTOMER
73252	SEE TABLE	
DOCUMENT NUMBER	DOC TYPE	DOC PART
SD-73252-009	PSD	000
SHEET NUMBER	2 OF 2	