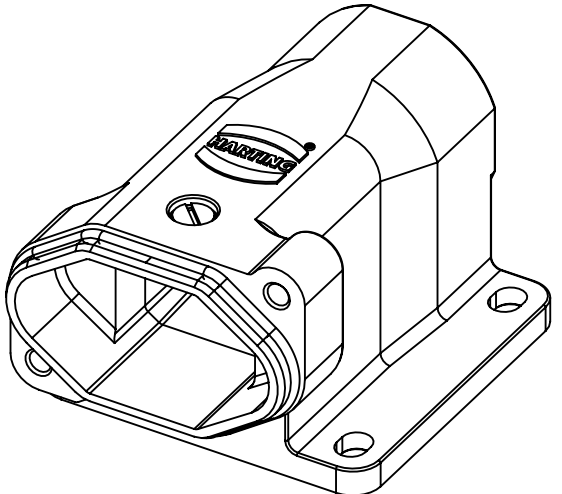
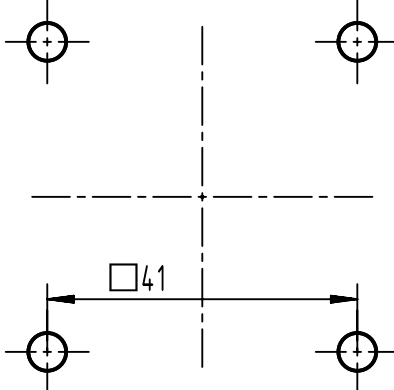


fixing screw M3x6  
enclosed separately

seal



panel cut out



range of delivery:  
housing zinc die-casting alloy, black chrome  
seal: 1 o-ring  
insert fixing screw for IP 68

	All rights reserved Department EL PD	All Dimensions in mm Original Size DIN A4		Scale 1:1	Free size tol.	Ref. Sub.
		Created by HOLLERT	Inspected by GERB	Standardisation	Date 2021-11-12	State Final Release
HARTING D-32339 Espelkamp		Title Han 3HPR angled hous. long version M25			Doc-Key / ECM-Nr. 100184298/UGD/005/B 500000205374	
		Type TB	Number 19 40 003 0951		Rev. B	Page 1/1