

MATERIALS AND FINISHES

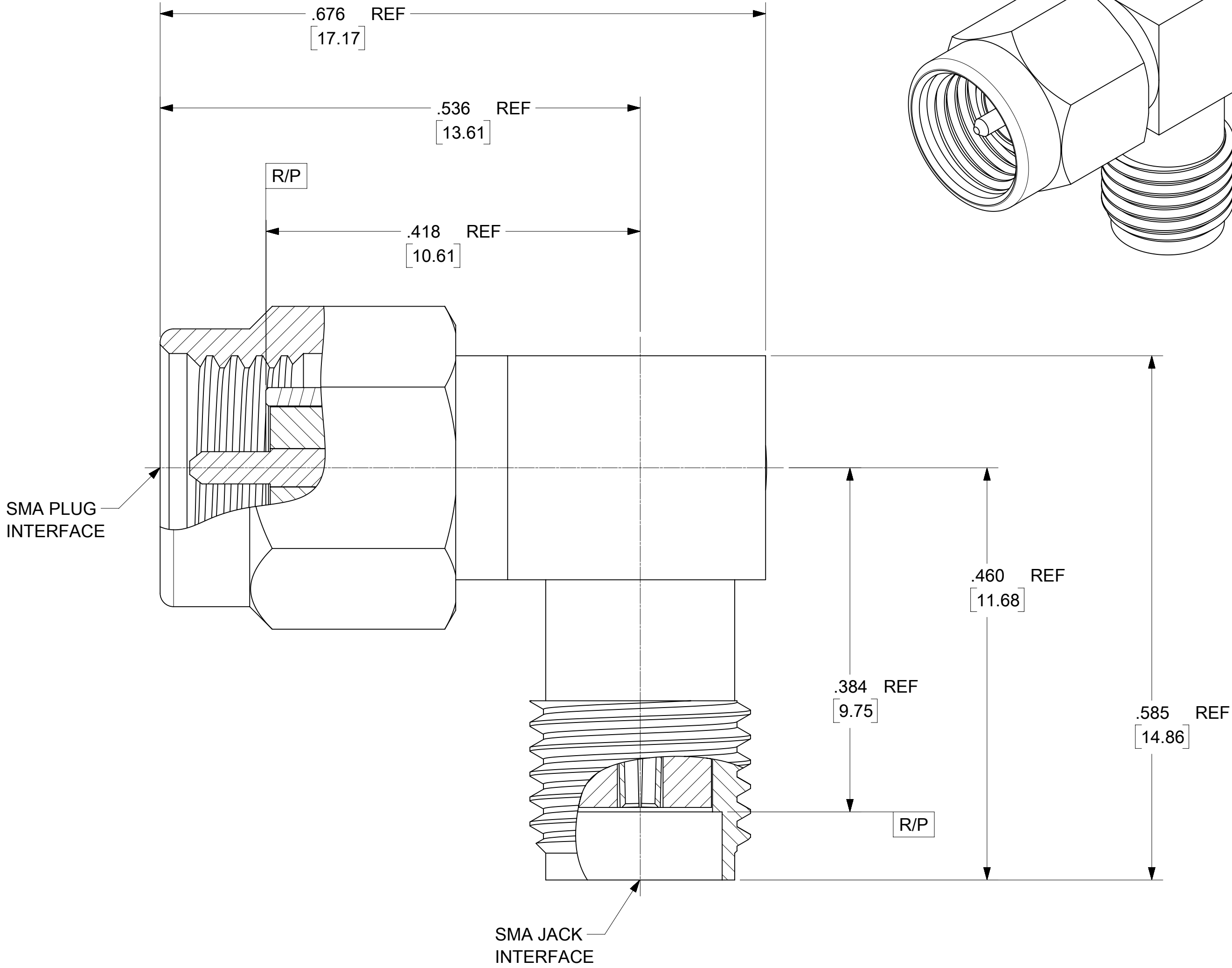
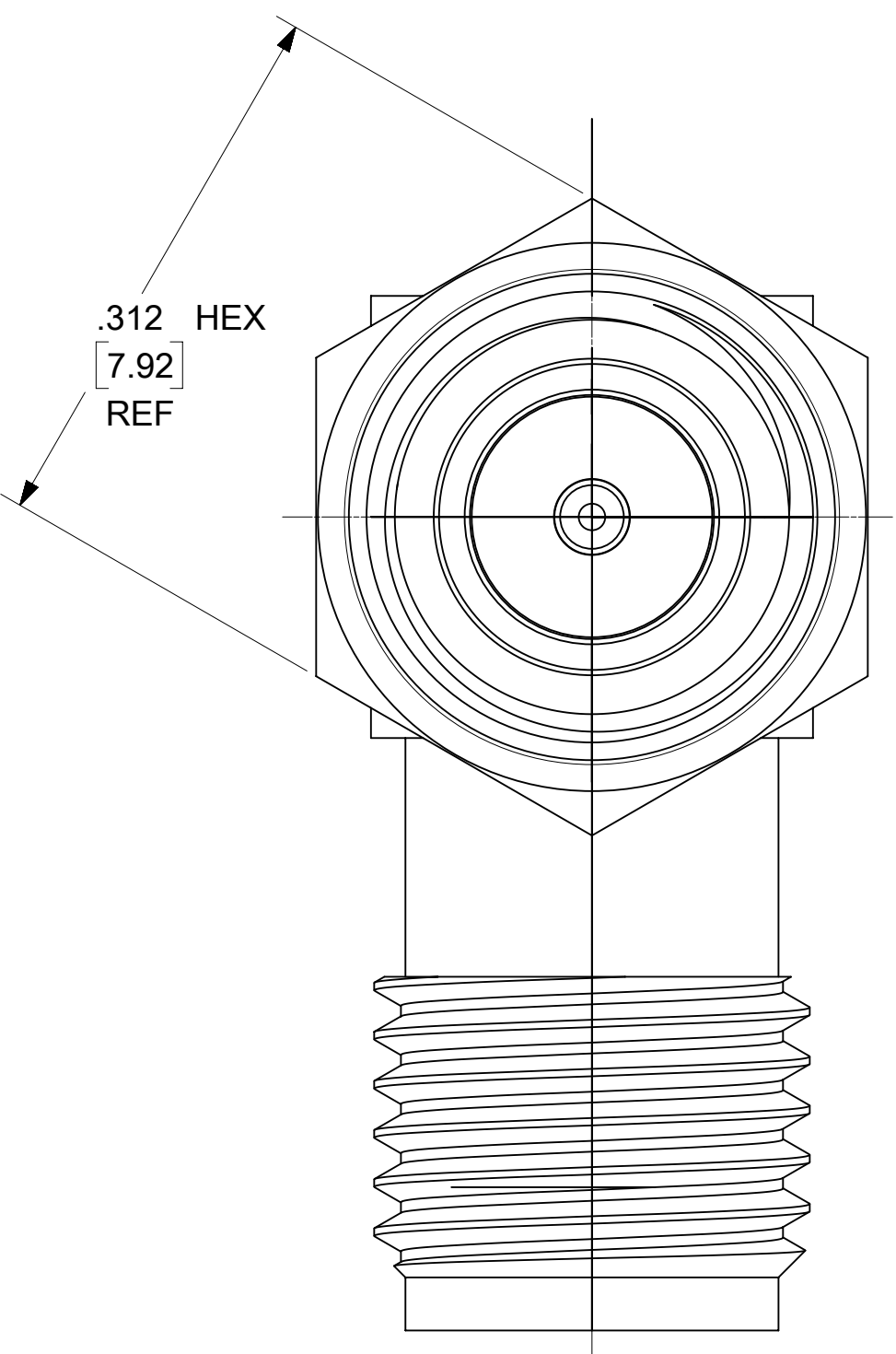
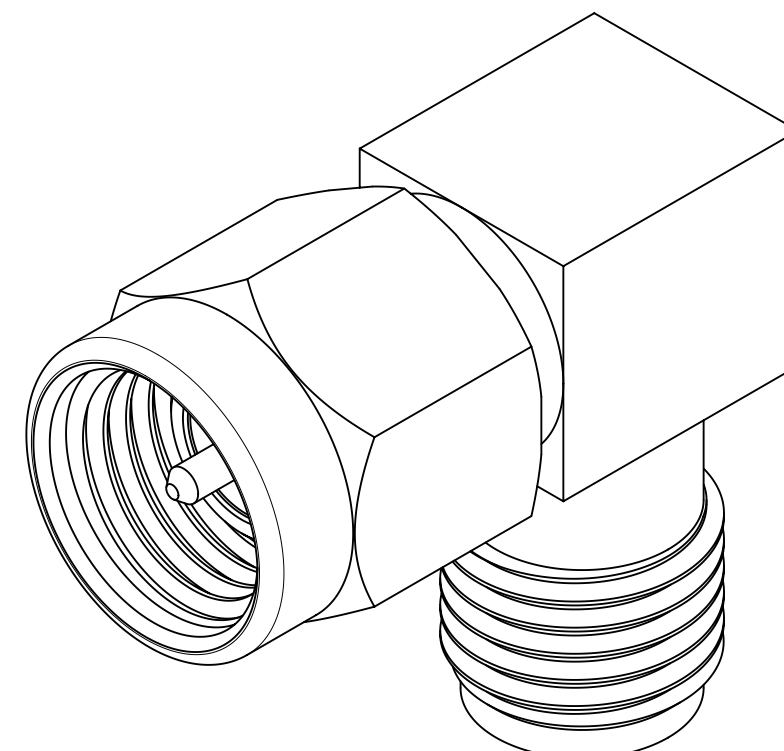
BODY, COUPLING NUT & CAP: STAINLESS STEEL
PASSIVATED

CENTER CONTACTS: BERYLLIUM COPPER
PLATED GOLD (30μ-in MIN)

INSULATORS: PTFE

GASKET: SILICONE RUBBER

SNAP RING: BERRYLLIUM COPPER



PACKAGING: TRAY
PART # 73251-0303

MIL-STD-348B, FIG. 310.1	SMA PLUG INTERFACE
MIL-STD-348B, FIG. 310.2	SMA JACK INTERFACE
SPECIFICATION	DESCRIPTION

QUALITY SYMBOLS ▽ = 0 ▽ = 0 ▽ = 0 ▽ = 0 ▽ = 0 ▽ = 0 ▽ = 0 ▽ = 0 ▽ = 0 ▽ = 0 ▽ = 0		THIS DRAWING CONTAINS INFORMATION THAT IS PROPRIETARY TO MOLEX ELECTRONIC TECHNOLOGIES, LLC AND SHOULD NOT BE USED WITHOUT WRITTEN PERMISSION		DIMENSION UNITS INCH NTS		SCALE NTS		molex	
MIGRATED EC NO: 168537 DRWN: LIMEIER CHKD: SSSHAH REV / APPR: AROBERTSON		2017/11/16 2017/11/27 2017/11/27		GENERAL TOLERANCES (UNLESS SPECIFIED) MM INCH 4 PLACES ± ± 3 PLACES ± ± 0.025 2 PLACES ± 0.1 ± 1 PLACES ± ± 0 PLACES ± ±		DRWN BY DATE EDC 1998/01/06		CHK'D BY DATE DHG 1998/01/06	
ANGULAR TOL = 2.0		DRAFT WHERE APPLICABLE MUST REMAIN WITHIN DIMENSIONS		APPR BY DATE GMH 1998/01/06		DRAWING SIZE C		THIRD ANGLE PROJECTION	
A4		A4		SERIES 73251		MATERIAL NUMBER 732510303		CUSTOMER	
RELEASE STATUS P1		RELEASE DATE 27.11.2017 17:47:56		DOCUMENT NUMBER SD-73251-030		DOC TYPE PSD		DOC PART SHEET NUMBER 001 1 OF 1	