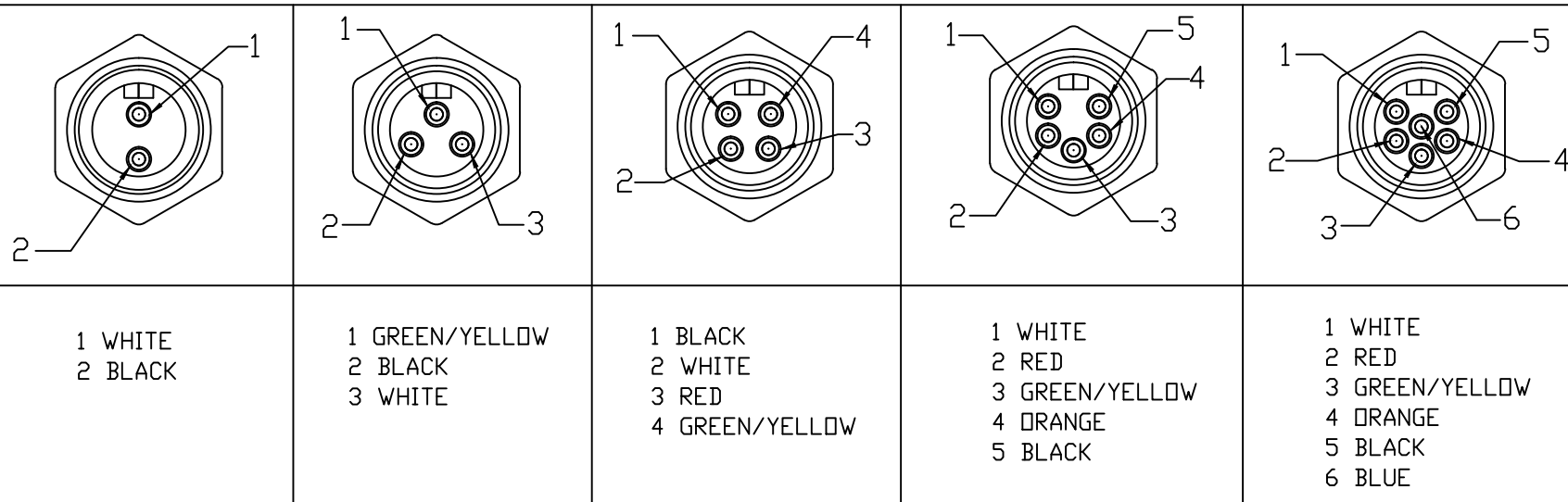


FACE VIEW - MALE INSERT



ENGINEERING NUMBER LEGEND

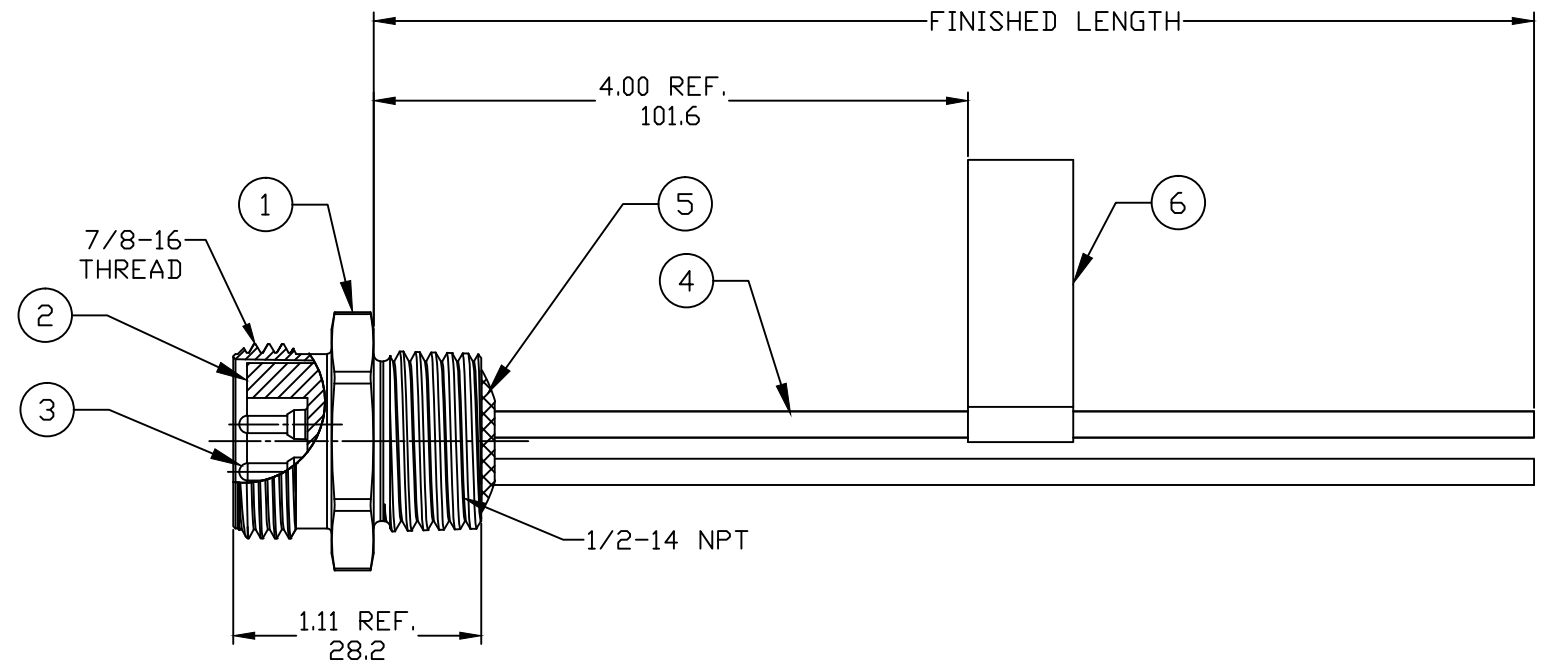
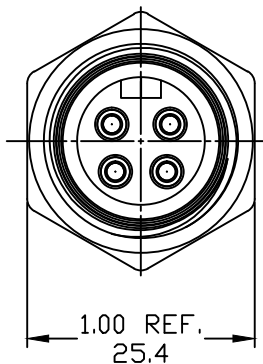
1RX006A20AXXX

WIRE TYPE
16 AWG PVC

FINISHED LENGTH
A120=12 INCHES
F060= 6 FEET

METRIC
M005= 0.5 METER
M010= 1 METER
M100= 10 METER

- NOTES:**
- MATERIAL: AS NOTED
 - FINISH: AS NOTED
 - ELECTRICAL:
VOLTAGE: 2 THRU 6P 600V PER UL 2238 (B)
3P 400V PER IEC 60664
4,5 & 6P 320V PER IEC 60664
CURRENT: 2 & 3 POLE: 13A
4 POLE: 10A
5 & 6 POLE: 8A
 - TEMP RATING: -20°TO +105°C
 - PROTECTION: IP67 (WHEN MATED)



6	LABEL	VINYL	BLACK/YELLOW
5	POTTING	EPOXY	
4	WIRE, 16 AWG, UL 1015	PVC INSUL.	SEE FACE VIEW
3	CONTACT PIN	Cu ALLOY	GOLD PLATED
2	INSERT	PVC	YELLOW
1	RECEPTACLE SHELL	ZINC DIE-CAST	BLACK E-COAT
ITEM	COMPONENT	MATERIAL	FINISH

REVD ELECTRICAL SPECS EC NO: IPG2017-0392 DRWN: RSTONE 10/18/16 CHKD: K COX 2016/10/27 APPR: BWOODMAN 2016/08/19	QUALITY SYMBOLS ▽=0 ◻=0	GENERAL TOLERANCES (UNLESS SPECIFIED)		DIMENSION STYLE	SCALE	DESIGN UNITS	THIRD ANGLE PROJECTION	
				IN/MM	---	INCH		
		4 PLACES	±---	±---	DRAWN BY	DATE		TITLE
		3 PLACES	±---	±---	RSTONE	2016/08/01		MINI CHANGE RECEPTACLE MALE 2 TO 6P 16 AWG
2 PLACES	±---	±.01	CHECKED BY	DATE				
1 PLACE	±0.3	±---	M ZIELIN	---				
ANGULAR ±1°		DRAFT WHERE APPLICABLE MUST REMAIN WITHIN DIMENSIONS		APPROVED BY	DATE	MOLEX INCORPORATED		
				TWOLDEGE	2016/08/19	MOLEX INCORPORATED		
				MATERIAL NO.		DOCUMENT NO.	SHEET NO.	
						SD-130013-120	1 OF 1	
				SIZE	THIS DRAWING CONTAINS INFORMATION THAT IS PROPRIETARY TO MOLEX INCORPORATED AND SHOULD NOT BE USED WITHOUT WRITTEN PERMISSION			
				B				