

HOA2005

Transmissive Optoschmitt Sensor

FEATURES

- Direct TTL interface
- Buffer logic
- Side mount package
- Ambient light and dust protective filter
- Accurate position sensing
- 0.010 in.(0.25mm) aperture windows
- 0.125 in.(3.18 mm) slot width
- 24.0 in.(610 mm) min. 26 AWG UL 1429 wire leads

DESCRIPTION

The HOA2005 consists of an infrared emitting diode facing an Optoschmitt detector encased in a black thermoplastic housing. The photodetector consists of a photodiode, amplifier, voltage regulator, Schmitt trigger and an NPN output transistor with 10 kΩ (nominal) pull-up resistor. The buffer logic provides a high output when the optical path is clear, and a low output when the path is blocked. The side mounting package is useful in applications in which the interruptive element is parallel to the mounting plane. Both emitter and detector have a 0.010 in.(.25 mm) x .060 in.(1.52 mm) vertical aperture. This feature is ideal for use in applications in which maximum position resolution is desired.

All devices employ a built-in strain relief for maximum wire attachment strength. The sensor housing contains IR transmissive optical windows. This arrangement provides excellent protection against ambient light while eliminating aperture openings which could be clogged by airborne contaminants. The HOA2005 series employs plastic molded components. For additional component information see SEP8506, and SDP8600.

Housing material is polycarbonate. Housings are soluble in chlorinated hydrocarbons and ketones. Recommended cleaning agents are methanol and isopropanol.

Wire color and functions are:

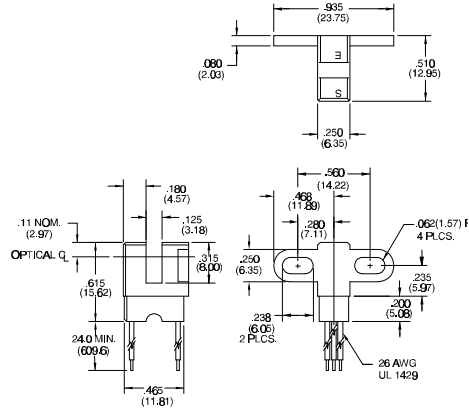
- Red - IRED Anode
- Black - IRED Cathode
- Green - Detector Ground
- White - Detector Vcc
- Blue - Detector Output



INFRA-90.TIF

OUTLINE DIMENSIONS in inches (mm)

Tolerance	3 plc decimals	±0.005(0.12)
	2 plc decimals	±0.020(0.51)



DIM_063.cdr

HOA2005

Transmissive Optoschmitt Sensor

ELECTRICAL CHARACTERISTICS (25°C unless otherwise noted)

PARAMETER	SYMBOL	MIN	TYP	MAX	UNITS	TEST CONDITIONS
IR EMITTER						
Forward Voltage	V_F		1.6		V	$I_F=20\text{ mA}$
Reverse Leakage Current	I_R		10		μA	$V_R=3\text{ V}$
DETECTOR						
Operating Supply Voltage	V_{CC}	4.5	12		V	
Low Level Supply Current	I_{CCL}	4.0	12		mA	$V_{CC}=5\text{ V}$ $V_{CC}=12\text{ V}$
High Level Supply Current	I_{CCH}	2.0	10		mA	$V_{CC}=5\text{ V}$ $V_{CC}=12\text{ V}$
Low Level Output Voltage	V_{OL}		0.4		V	$I_{OL}=12.8\text{ mA}$, $I_F=0\text{ mA}$
High Level Output Voltage	V_{OH}	2.4			V	$I_{OH}=0$, $I_F=20\text{ mA}$
Hysteresis ⁽²⁾	HYST		10		%	
Propagation Delay, Low-High, High-Low	t_{PLH} , t_{PHL}		5		μs	$V_{CC}=5\text{ V}$, $I_F=20\text{ mA}$
Rise Time	t_r		60		ns	$R_L=390\ \Omega$, $C_L=50\text{ pF}$
Fall Time	t_f		6		ns	$R_L=390\ \Omega$, $C_L=50\text{ pF}$
COUPLED CHARACTERISTICS						
IRET Trigger Current	I_{FT}		20		mA	$V_{CC}=5\text{ V}$
HOA2005-001			20			

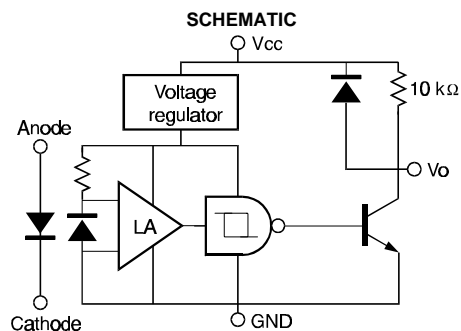
Notes

1. It is recommended that a bypass capacitor, 0.1 μF typical, be added between V_{CC} and GND near the device in order to stabilize power supply line.
2. Hysteresis is defined as the difference between the operating and release threshold intensities, expressed as a percentage of the operate threshold intensity.

ABSOLUTE MAXIMUM RATINGS

(25°C Free-Air Temperature unless otherwise noted)

Operating Temperature Range	-40°C to 70°C
Storage Temperature Range	-40°C to 85°C
Soldering Temperature (5 sec)	240°C
IR EMITTER	
Power Dissipation	100 mW ⁽¹⁾
Reverse Voltage	3 V
Continuous Forward Current	50 mA
DETECTOR	
Supply Voltage	12 V ⁽²⁾
Output Sink Current	18 mA
Duration of Output	
Short to V_{CC} or Ground	1.0 sec



Honeywell reserves the right to make changes in order to improve design and supply the best products possible.

Honeywell

HOA2005

Transmissive Optoschmitt Sensor

SWITCHING WAVEFORM

cir_013.cdr

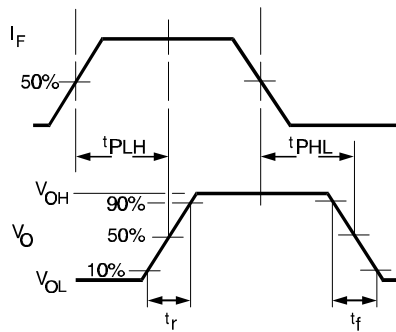


Fig. 2 IRED Forward Bias Characteristics

gra_073.ds4

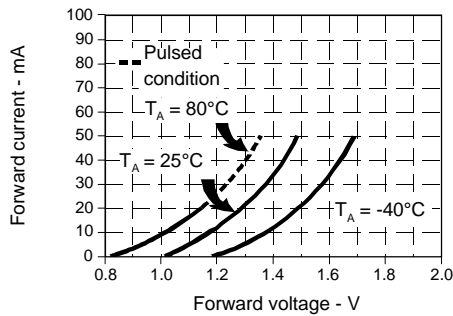


Fig. 1 SWITCHING WAVEFORM

gra_013.ds4

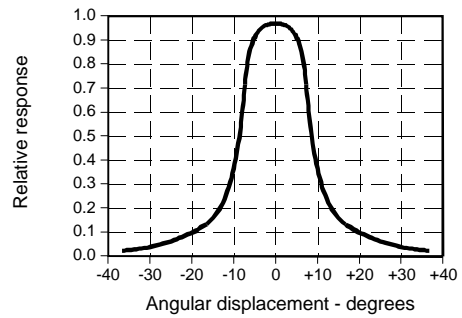
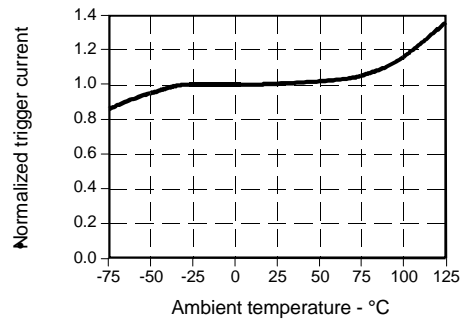


Fig. 3 IRED Trigger Current vs Temperature

gra_098.ds4



All Performance Curves Show Typical Values

HOA2005

Transmissive Optoschmitt Sensor

Honeywell reserves the right to make changes in order to improve design and supply the best products possible.

Honeywell

375